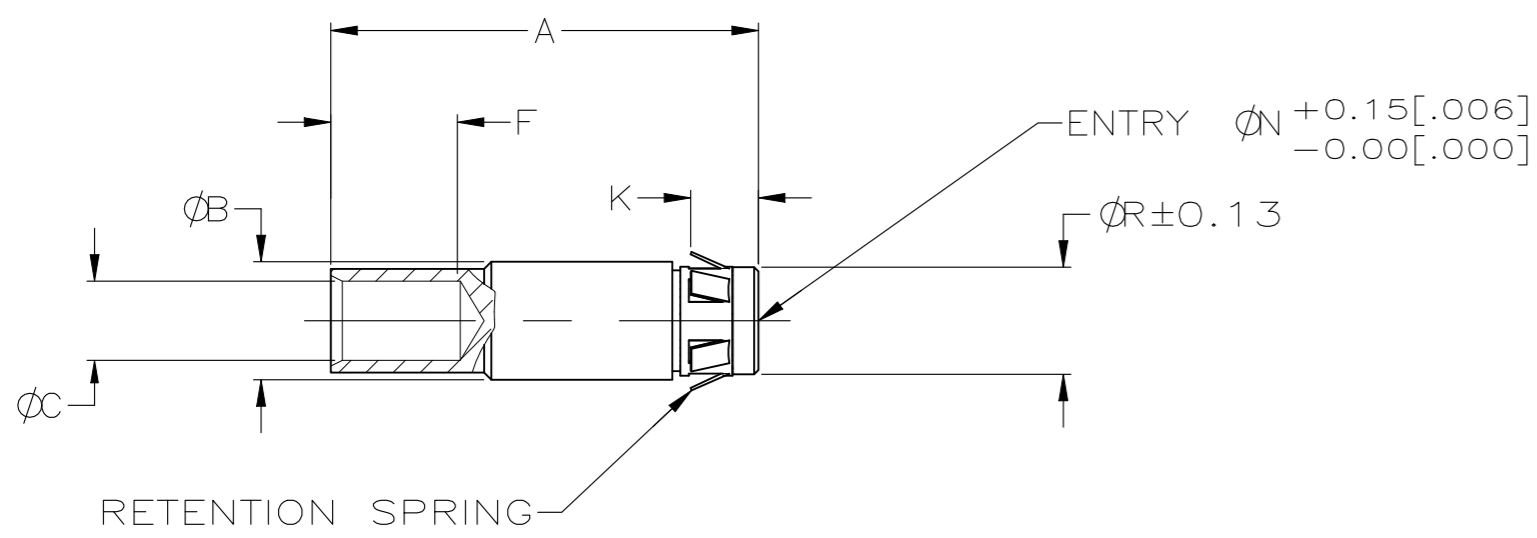
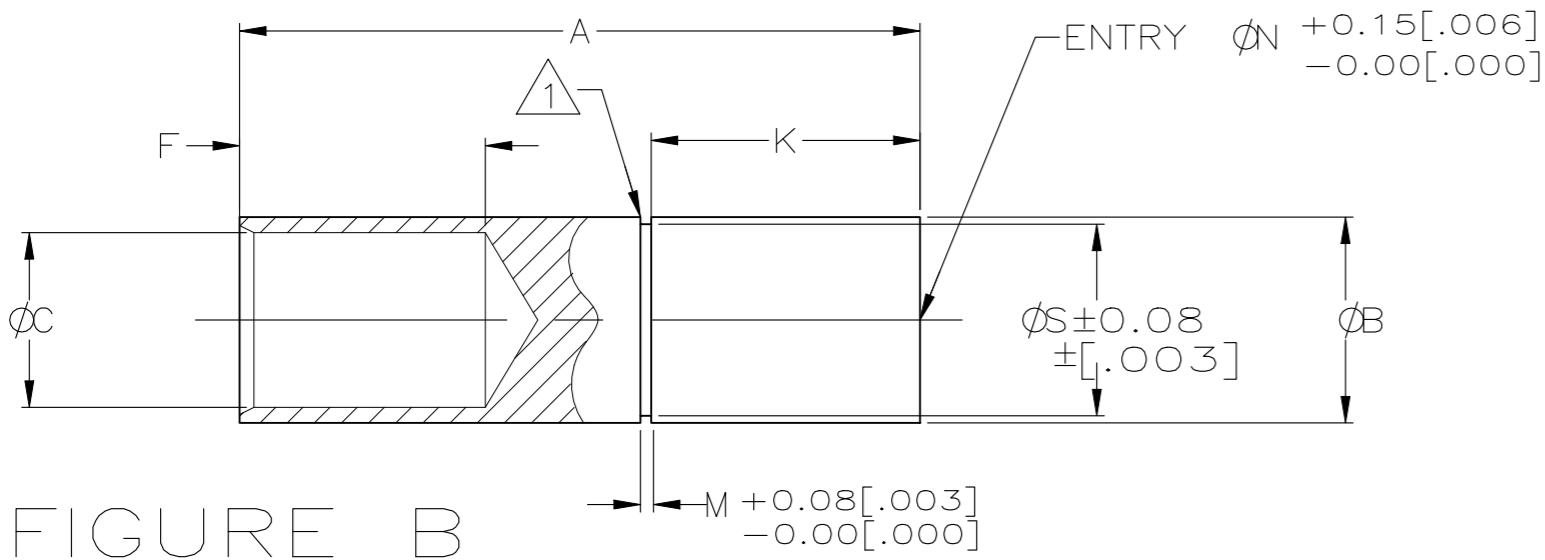
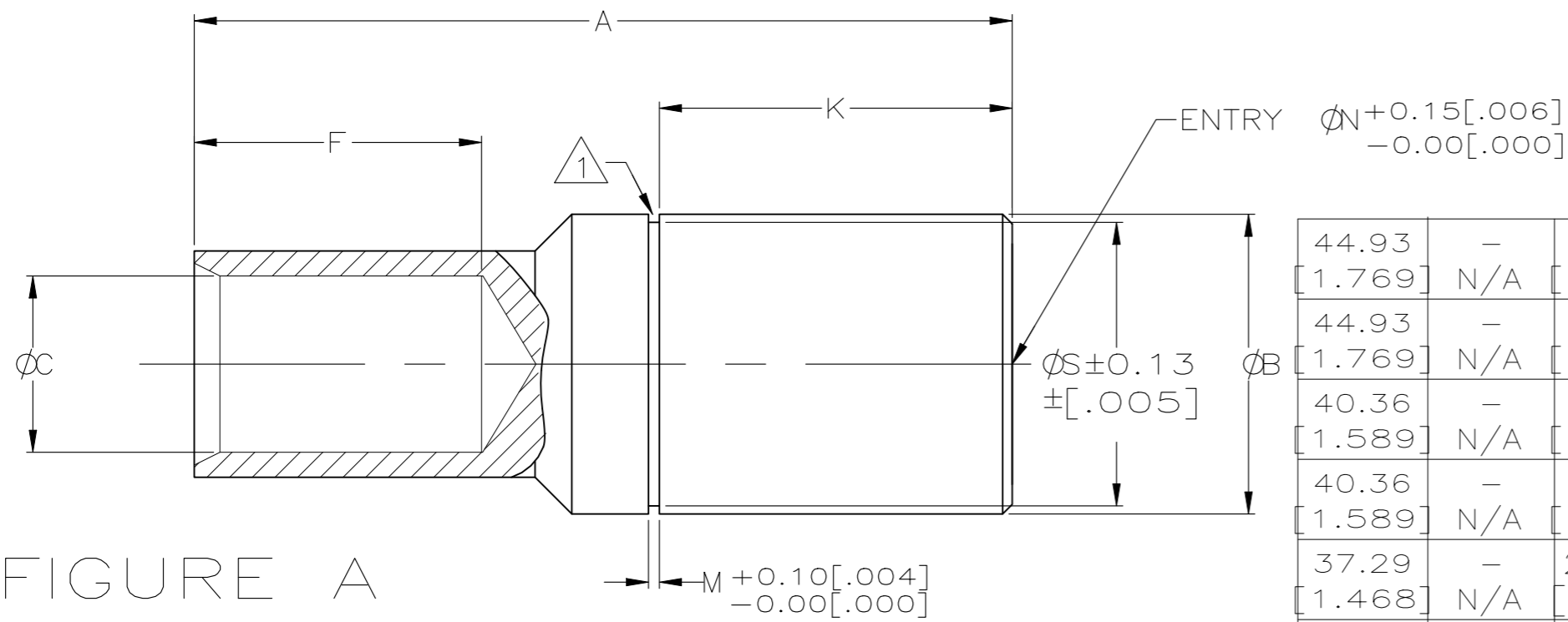


REVISIONS					
P	LTR	DESCRIPTION	DATE	DWN	APVD
E		REVISED PER ECO-21-003380	30APR2021	OL	SH



44.93	-	35.10	1.73	55.88	53.6	36.19	47.62	140.5		A	35mm	1000	<del>1-193673-9</del>	3	
[1.769]	N/A	[1.382]	[.068]	[2.200]	[2.11]	[1.425]	[1.875]	[5.53]							
44.93	-	35.10	1.73	55.88	45	30.43	47.62	129.5		A	35mm	700	<del>1-193673-8</del>	3	
[1.769]	N/A	[1.382]	[.068]	[2.200]	[1.77]	[1.198]	[1.875]	[5.10]							
40.36	-	30.12	1.73	55.88	53.6	36.19	42.80	139.4		B	30mm	1000	<del>1-193673-7</del>	3	
[1.589]	N/A	[1.186]	[.068]	[2.200]	[2.11]	[1.425]	[1.685]	[5.49]							
40.36	-	30.12	1.73	55.88	45	30.43	42.80	127.2		A	30mm	700	<del>1-193673-6</del>	3	
[1.589]	N/A	[1.186]	[.068]	[2.200]	[1.77]	[1.198]	[1.685]	[5.01]							
37.29	-	25.09	1.73	55.88	50.8	34.98	40.66	135.4		B	25mm	900	<del>1-193673-5</del>	3	
[1.468]	N/A	[.988]	[.068]	[2.200]	[2.00]	[1.377]	[1.601]	[5.33]							
37.29	-	25.09	1.73	55.88	41.7	27.94	40.66	123.4		A	25mm	600	<del>1-193673-4</del>	3	
[1.468]	N/A	[.988]	[.068]	[2.200]	[1.64]	[1.100]	[1.601]	[4.86]							
25.35	-	20.09	1.42	35.56	32.5	23.11	27.23	89.9		B	20mm	400	<del>1-193673-3</del>	3	
[.998]	N/A	[.791]	[.056]	[1.400]	[1.28]	[.910]	[1.072]	[3.54]							
25.35	-	20.09	1.42	35.56	25.9	18.31	27.23	80.5		A	20mm	250	1-193673-2		
[.998]	N/A	[.791]	[.056]	[1.400]	[1.02]	[.721]	[1.072]	[3.17]							
22.40	-	16.10	1.17	33.02	28.4	20.04	23.57	80		B	16mm	300	<del>1-193673-1</del>	3	
[.882]	N/A	[.634]	[.046]	[1.300]	[1.12]	[.789]	[.928]	[3.15]							
22.40	-	16.10	1.17	33.02	24.1	16.94	23.57	73.9		A	16mm	4/0	<del>1-193673-0</del>	3	
[.882]	N/A	[.634]	[.046]	[1.300]	[.95]	[.677]	[.928]	[2.91]							
18.62	-	12.09	1.17	30.48	24.1	17.22	20.19	70.1		B	12mm	4/0	<del>1-193673-9</del>	3	
[.733]	N/A	[.476]	[.046]	[1.200]	[.95]	[.678]	[.795]	[2.76]							
18.62	-	12.09	1.17	30.48	19.6	13.74	20.19	63.7		A	12mm	2/0	193673-8		
[.733]	N/A	[.476]	[.046]	[1.200]	[.77]	[.541]	[.795]	[2.51]							
SEE SHEET 2												8mm	1/0	193673-7	
-	13.51	8.10	-	5.08	14.2	9.91	14.45	57.4		D	8mm	2	193673-6		
N/A	[.532]	[.319]	N/A	[.20]	[.56]	[.390]	[.569]	[2.26]							
-	9.45	6.04	-	5.08	11.4	7.36	10.41	37.6		D	6mm	4	193673-5		
N/A	[.372]	[.238]	N/A	[.20]	[.45]	[.290]	[.410]	[1.48]							
-	9.45	6.04	-	5.08	9.4	5.97	10.41	36.1		D	6mm	6	193673-4		
N/A	[.372]	[.238]	N/A	[.20]	[.37]	[.235]	[.410]	[1.42]							
-	6.65	4.09	-	6.1	9.1	4.60	7.62	33.3		D	4mm	8	193673-3		
N/A	[.262]	[.161]	N/A	[.24]	[.36]	[.181]	[.300]	[1.31]							
-	6.65	4.09	-	6.1	9.1	3.68	7.62	33.3		D	4mm	10	193673-2		
N/A	[.262]	[.161]	N/A	[.24]	[.36]	[.145]	[.300]	[1.31]							
-	4.75	2.23	-	5.08	9.1	2.54	5.89	28.7		D	2mm	12/14	193673-1		
N/A	[.187]	[.088]	N/A	[.20]	[.36]	[.105]	[.232]	[1.13]							
ØS	ØR	ØN	M	K	F	ØC	ØB	A	FIGURE	MATING Ø PIN	WIRE AWG	PART NUMBER			

⚠ OBSOLETE PARTS: OBSOLETE CIS STREAMLINING PER D.RENAUD/D.SINISI

2. ALL DIMENSIONS ARE REFERENCE ONLY.

⚠ GROOVE PROVIDED FOR USE WITH COMMERCIALY AVAILABLE RETAINING RINGS, i.e. MS-16624 TYPE.

THIS DRAWING IS A CONTROLLED DOCUMENT.

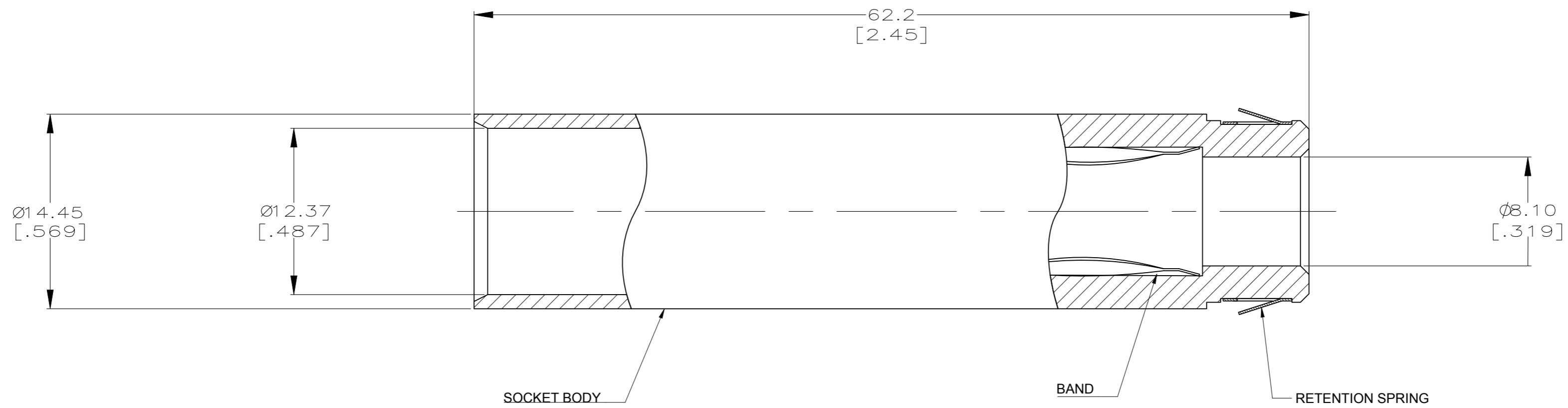
DWN: J.TURNER 09-10-93	 TE Connectivity	NAME: SOCKET ASSY, 2-35mm, CRIMP
CHK: A.L.G. 09-10-93		
APVD: S.R.S. 09-10-93		
PRODUCT SPEC: -		
APPLICATION SPEC: -	SIZE: A2	CAGE CODE: 00779
WEIGHT: 0	DRAWING NO: C=193673	RESTRICTED TO: -
CUSTOMER DRAWING	SCALE: NTS	SHEET: 1 OF 2

MATERIAL: BODY: COPPER ALLOY  
RETENTION-SPRING: STAINLESS STEEL  
CONTACT BAND: BeCu

FINISH: BODY AND BAND: SILVER OVER NICKEL  
SPRING: NONE

THIS DRAWING IS A CONTROLLED DOCUMENT FOR AMP INCORPORATED. IT IS SUBJECT TO CHANGE AND THE CONTROLLING ENGINEERING ORGANIZATION SHOULD BE CONTACTED FOR THE LATEST REVISION.

P	LTR	DESCRIPTION	DATE	DWN	APVD
-		SEE SHEET 1	-	-	-



THIS DRAWING IS A CONTROLLED DOCUMENT.		DWN J.TURNER 09-10-93	<b>TE</b> TE Connectivity																			
DIMENSIONS: INCHES		CHK A.L.G. 09-10-93																				
TOLERANCES UNLESS OTHERWISE SPECIFIED:		APVD S.R.S. 09-10-93	NAME SOCKET ASSY, 2-35mm, CRIMP																			
<table border="1"> <tr><td>0 PLC</td><td>±</td><td>-</td></tr> <tr><td>1 PLC</td><td>±</td><td>-</td></tr> <tr><td>2 PLC</td><td>±</td><td>0.40[.015]</td></tr> <tr><td>3 PLC</td><td>±</td><td>0.25[.010]</td></tr> <tr><td>4 PLC</td><td>±</td><td>-</td></tr> <tr><td>ANGLES</td><td>±</td><td>-</td></tr> </table>		0 PLC	±	-	1 PLC	±	-	2 PLC	±	0.40[.015]	3 PLC	±	0.25[.010]	4 PLC	±	-	ANGLES	±	-	PRODUCT SPEC -	SIZE A2	
0 PLC	±	-																				
1 PLC	±	-																				
2 PLC	±	0.40[.015]																				
3 PLC	±	0.25[.010]																				
4 PLC	±	-																				
ANGLES	±	-																				
MATERIAL		APPLICATION SPEC -	CAGE CODE 00779	DRAWING NO C=193673																		
FINISH		WEIGHT -	SCALE NTS	SHEET 2 OF 2																		
CUSTOMER DRAWING			RESTRICTED TO -	REV E																		

单击下面可查看定价，库存，交付和生命周期等信息

[>>TE Connectivity\(泰科\)](#)