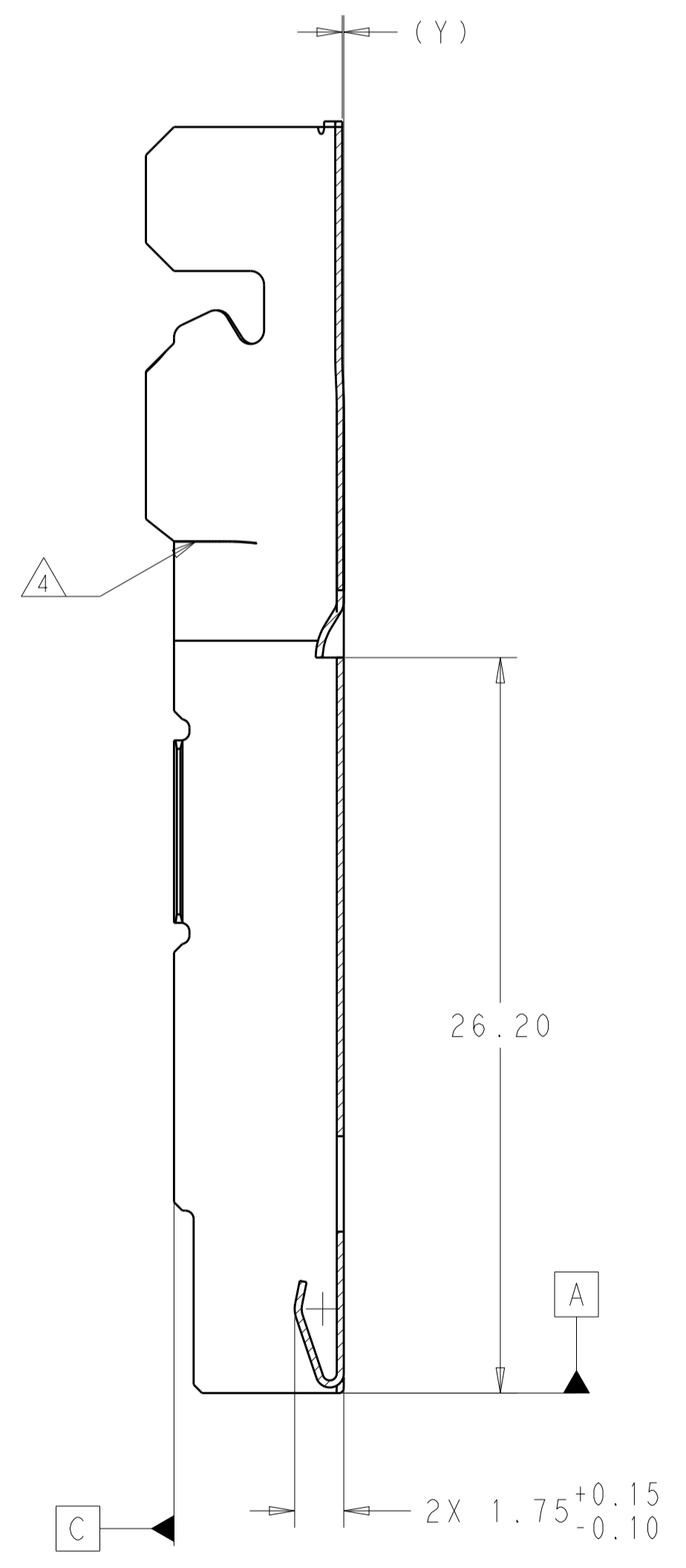
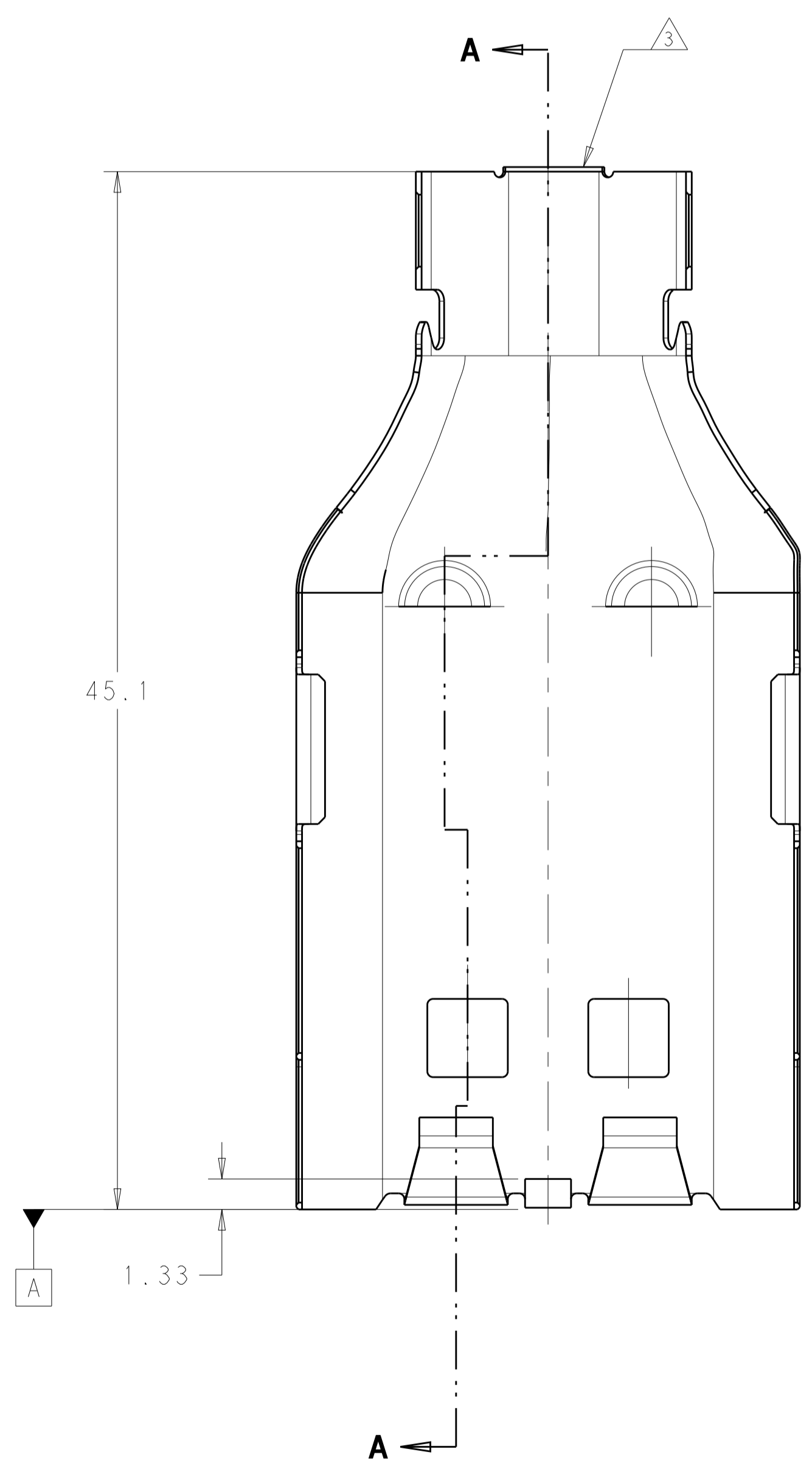
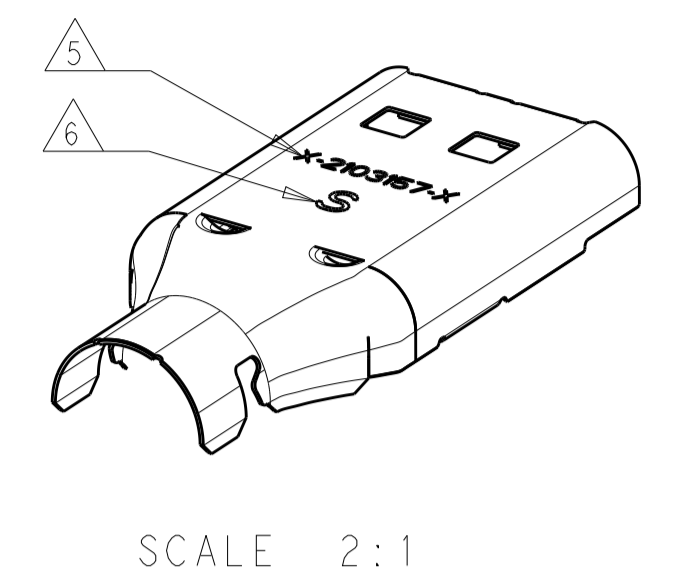
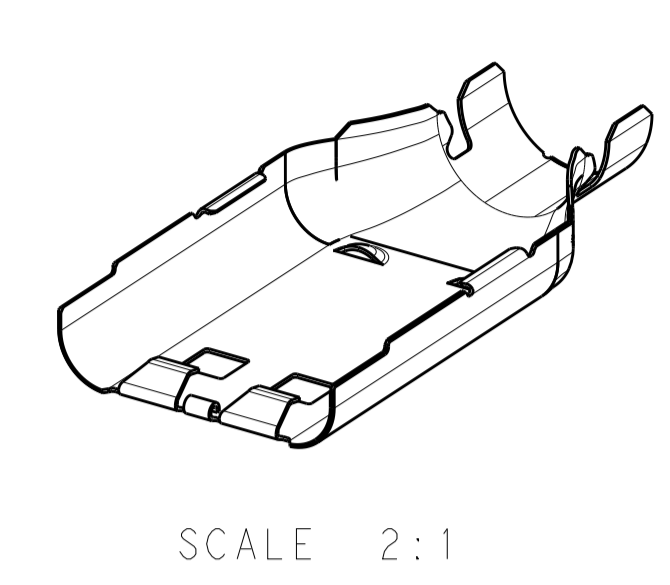
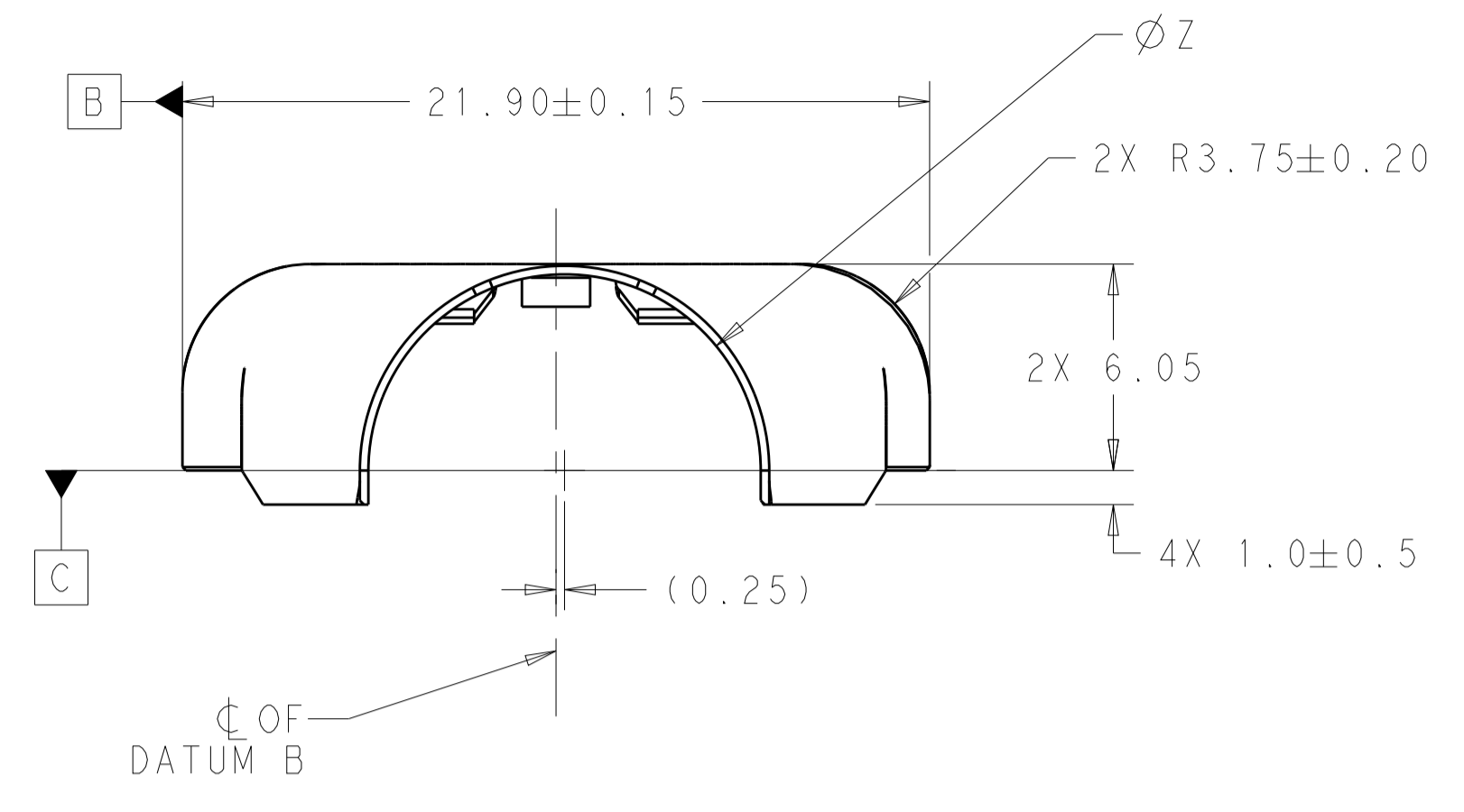


LOC		DIST		REVISIONS			
P	LTN	DESCRIPTION	DATE	DWN	APVD		
A		ECO-11-024207	02DEC2011	DR	DR		
A1		ECO-12-013602	26JUL2012	DR	DR		
A2		ECO-12-017511	01OCT2012	DS	DR		
A3		ECO-13-012771	08AUG2013	DR	DR		



SECTION A-A

- △ MATERIAL TYPE: COPPER ALLOY
- 2. PART MUST BE FREE OF EXCESSIVE BURRS, CRACKS, OR OTHER VISUAL IMPERFECTIONS THAT MAY AFFECT FIT OR FUNCTION
- △ 0.20 MAX CUT OFF TAB LENGTH
- △ 2X BUTTED SEAM IN THIS AREA
- △ TE PART NUMBER STAMPED IN THIS AREA
- △ "S" DESIGNATION STAMPED IN THIS AREA ON SILVER PLATED SHIELDS
- △ PRELIMINARY PART - NOT RELEASED FOR PRODUCTION

MARKING	Y	Z	WEIGHT	FINISH	REV	PART NO
△ 6	0.55	10.50	2.79 g	SILVER	A	1-2103157-2
△ 6	0.05	11.50	2.83 g	SILVER	A	1-2103157-1
—	0.55	10.50	2.80 g	TIN	1	2103157-2
—	0.05	11.50	2.85 g	TIN	A	2103157-1

THIS DRAWING IS A CONTROLLED DOCUMENT. DWN: D. RHEIN 06DEC2010
 CHK: D. RHEIN 01APR2011
 APVD: J. ROLEWITZ 01APR2011

STE TE Connectivity

NAME: SHIELD, PLUG HVA280 MULTI-CORE

PRODUCT SPEC: 108-32020
 APPLICATION SPEC:

SIZE: CAGE CODE: DRAWING NO: RESTRICTED TO:
 WEIGHT: SEE TABLE A100779C=2103157
 CUSTOMER DRAWING SCALE: 5:1 SHEET 1 OF 1 REV: A3

单击下面可查看定价，库存，交付和生命周期等信息

[>>TE Connectivity\(泰科\)](#)