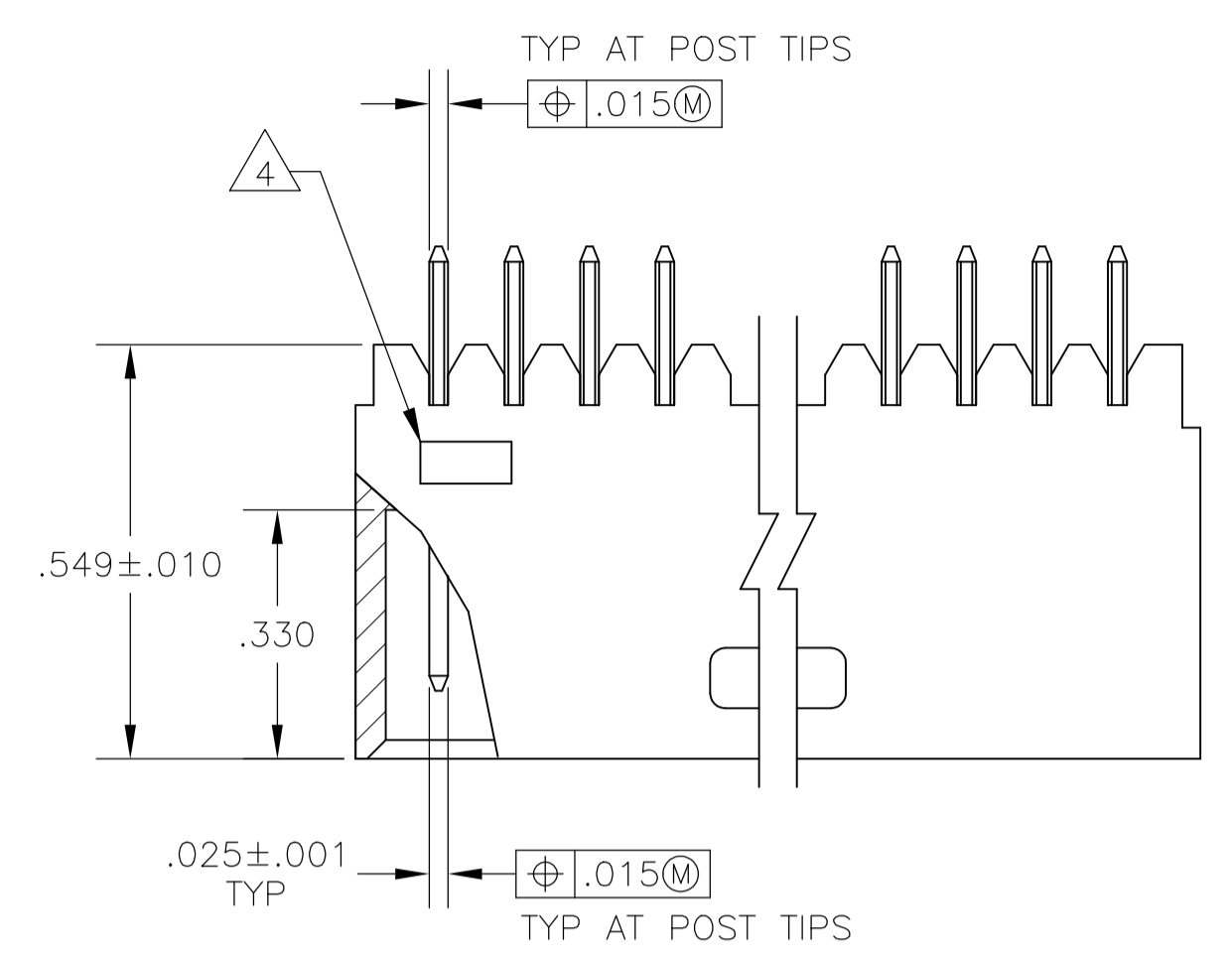
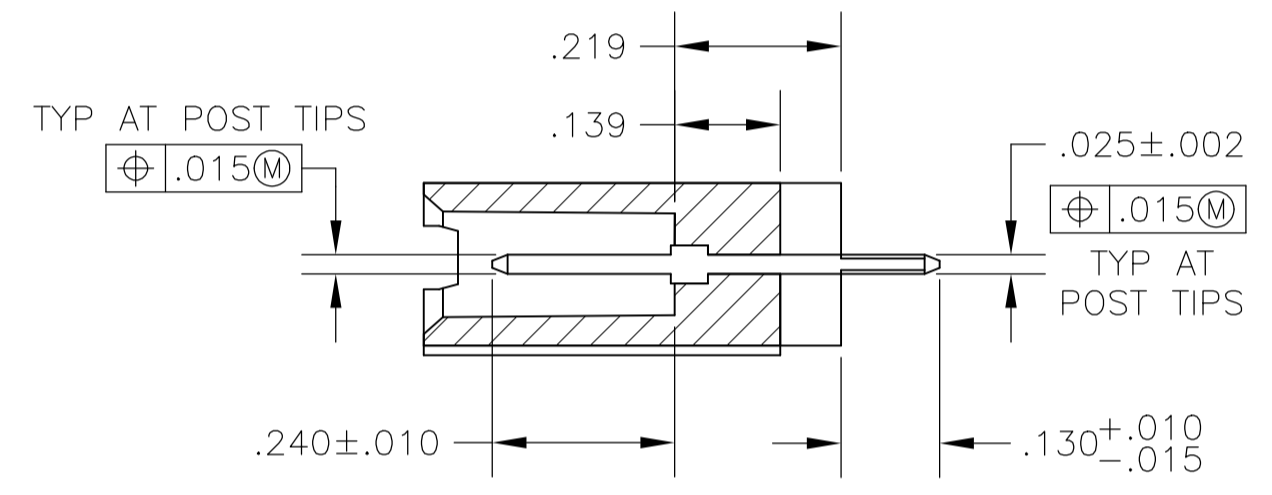
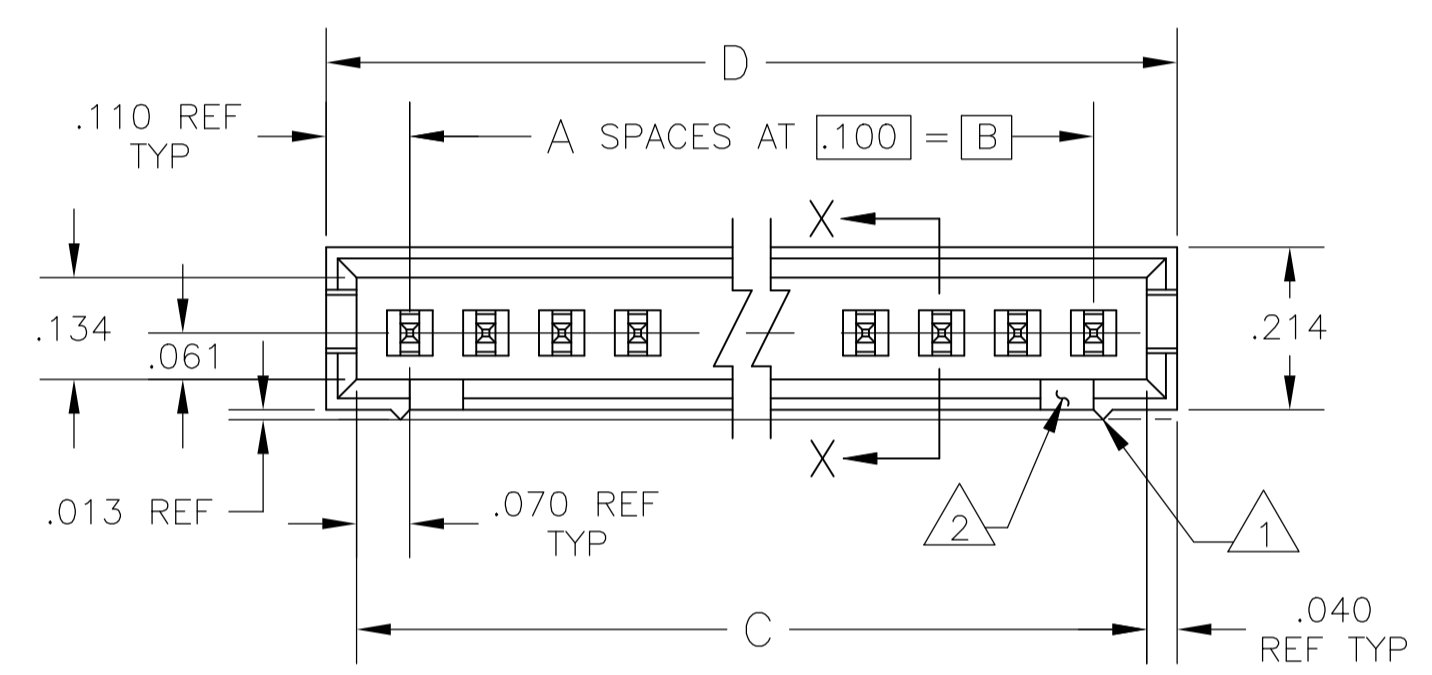


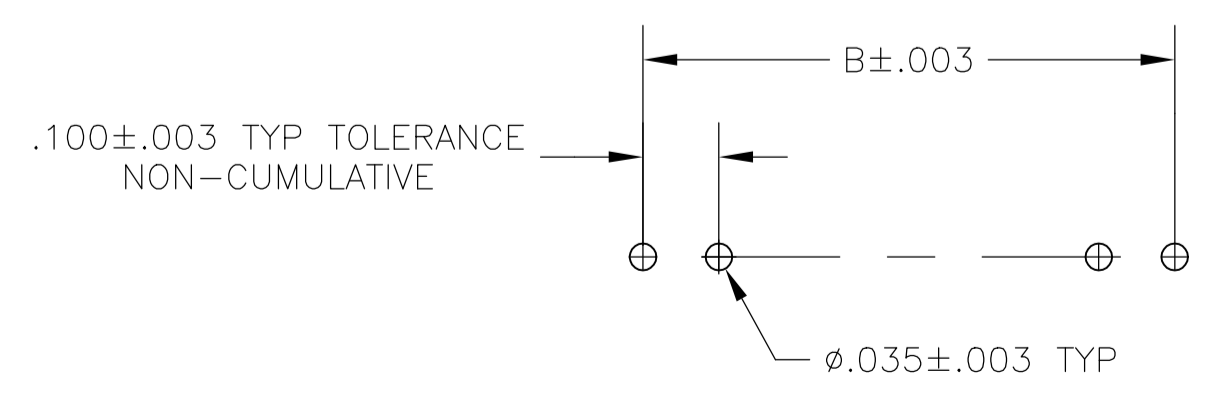
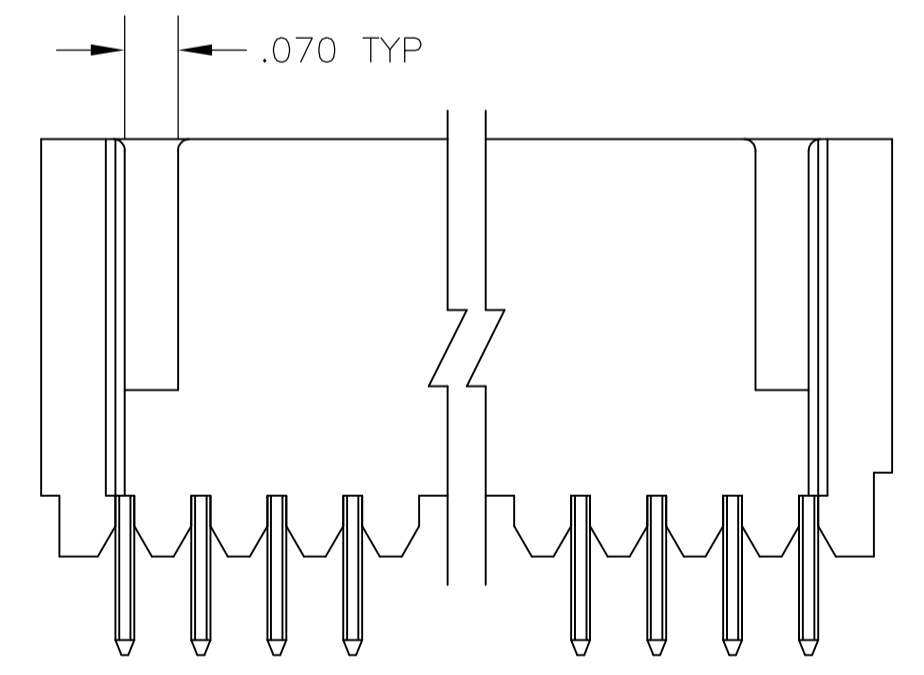
| REVISIONS | | | | |
|-----------|-----|--|-----------|-------|
| P | LTR | DESCRIPTION | DATE | APPD |
| V3 | | PART STATUS UPDATED IN PART LIST TABLE | 15FEB2018 | SD PS |



- 1 STANDOFFS:
UP TO 9 POS-(2 REQD) ON THE OUTSIDE ENDS OF THE HOUSING.
10 TO 19 POS-(3 REQD) TWO ON THE OUTSIDE ENDS AND ONE CENTERED ON THE HOUSING.
- 19 POS AND ABOVE-(4 REQD) TWO ON THE OUTSIDE ENDS AND TWO SPACED EVENLY WITHIN THE REMAINING LENGTH OF THE HOUSING.
- 2 FOR 3 POS. ONLY, ONE SLOT (.215 WIDE).
- 3 INDICATED PARTS ARE PACKAGED IN "GANG-OF-TUBES".
- 4 RECESSED DATE CODE
- 5 .000100-.000200 BRIGHT TIN-LEAD OVER .000050 NICKEL.
- 6 .000100-.000200 BRIGHT TIN OVER .000050 NICKEL.
- 7 PRELIMINARY PART
- 8 .000100-.000200 MATTE TIN OVER .000050 NICKEL.
- 9 OBSOLETE PARTS: OBSOLETE CIS STREAMLINING PER D.RENAUD/D.SINISI



SECTION X-X



| FINISH | D | C | B | A | NO OF POS | ASSEMBLY PART NUMBER |
|--------|-------|-------|-------|----|-----------|----------------------|
| 8 | 2.620 | 2.540 | 2.400 | 24 | 25 | 7-103080-3 |
| 8 | 2.520 | 2.440 | 2.300 | 23 | 24 | 7-103080-2 |
| 8 | 2.420 | 2.340 | 2.200 | 22 | 23 | 7-103080-1 |
| 8 | 2.320 | 2.240 | 2.100 | 21 | 22 | 7-103080-0 |
| 8 | 2.220 | 2.140 | 2.000 | 20 | 21 | 6-103080-9 |
| 8 | 2.120 | 2.040 | 1.900 | 19 | 20 | 6-103080-8 |
| 8 | 2.020 | 1.940 | 1.800 | 18 | 19 | 6-103080-7 |
| 8 | 1.920 | 1.840 | 1.700 | 17 | 18 | 6-103080-6 |
| 8 | 1.820 | 1.740 | 1.600 | 16 | 17 | 6-103080-5 |
| 8 | 1.720 | 1.640 | 1.500 | 15 | 16 | 6-103080-4 |
| 8 | 1.620 | 1.540 | 1.400 | 14 | 15 | 6-103080-3 |
| 8 | 1.520 | 1.440 | 1.300 | 13 | 14 | 6-103080-2 |
| 8 | 1.420 | 1.340 | 1.200 | 12 | 13 | 6-103080-1 |
| 8 | 1.320 | 1.240 | 1.100 | 11 | 12 | 6-103080-0 |
| 8 | 1.220 | 1.140 | 1.000 | 10 | 11 | 5-103080-9 |
| 8 | 1.120 | 1.040 | .900 | 9 | 10 | 5-103080-8 |
| 8 | 1.020 | .940 | .800 | 8 | 9 | 5-103080-7 |
| 8 | .920 | .840 | .700 | 7 | 8 | 5-103080-6 |
| 8 | .820 | .740 | .600 | 6 | 7 | 5-103080-5 |
| 8 | .720 | .640 | .500 | 5 | 6 | 5-103080-4 |
| 8 | .620 | .540 | .400 | 4 | 5 | 5-103080-3 |
| 8 | .520 | .440 | .300 | 3 | 4 | 5-103080-2 |
| 8 | .420 | .340 | .200 | 2 | 3 | 5-103080-1 |
| 7 | 1.020 | .940 | .800 | 8 | 9 | 4-103080-0 |
| 6 | .520 | .440 | .300 | 3 | 4 | 3-103080-9 |
| 6 | .420 | .340 | .200 | 2 | 3 | 3-103080-8 |
| 6 | .520 | .440 | .300 | 3 | 4 | 3-103080-7 |
| 6 | .620 | .540 | .400 | 4 | 5 | 3-103080-6 |
| 5 | .620 | .540 | .400 | 4 | 5 | 3-103080-5 |
| 5 | 3.820 | 3.640 | 3.500 | 35 | 36 | 3-103080-4 |
| 5 | 3.720 | 3.540 | 3.400 | 34 | 35 | 3- |
| 5 | 3.620 | 3.440 | 3.300 | 33 | 34 | 3- |
| 5 | 3.420 | 3.340 | 3.200 | 32 | 33 | 3- |
| 5 | 3.320 | 3.240 | 3.100 | 31 | 32 | 3- |
| 5 | 3.220 | 3.140 | 3.000 | 30 | 31 | 2- |
| 5 | 3.120 | 3.040 | 2.900 | 29 | 30 | 2- |
| 5 | 3.020 | 2.940 | 2.800 | 28 | 29 | 2- |
| 5 | 2.920 | 2.840 | 2.700 | 27 | 28 | 2- |
| 5 | 2.820 | 2.740 | 2.600 | 26 | 27 | 2- |
| 5 | 2.720 | 2.640 | 2.500 | 25 | 26 | 2- |
| 5 | 2.620 | 2.540 | 2.400 | 24 | 25 | 2- |
| 5 | 2.520 | 2.440 | 2.300 | 23 | 24 | 2- |
| 5 | 2.420 | 2.340 | 2.200 | 22 | 23 | 2- |
| 5 | 2.320 | 2.240 | 2.100 | 21 | 22 | 2- |
| 5 | 2.220 | 2.140 | 2.000 | 20 | 21 | 1- |
| 5 | 2.120 | 2.040 | 1.900 | 19 | 20 | 1- |
| 5 | 2.020 | 1.940 | 1.800 | 18 | 19 | 1- |
| 5 | 1.920 | 1.840 | 1.700 | 17 | 18 | 1- |
| 5 | 1.820 | 1.740 | 1.600 | 16 | 17 | 1- |
| 5 | 1.720 | 1.640 | 1.500 | 15 | 16 | 1- |
| 5 | 1.620 | 1.540 | 1.400 | 14 | 15 | 1- |
| 5 | 1.520 | 1.440 | 1.300 | 13 | 14 | 1- |
| 5 | 1.420 | 1.340 | 1.200 | 12 | 13 | 1- |
| 5 | 1.320 | 1.240 | 1.100 | 11 | 12 | 1- |
| 5 | 1.220 | 1.140 | 1.000 | 10 | 11 | 1- |
| 5 | 1.120 | 1.040 | .900 | 9 | 10 | 1- |
| 5 | 1.020 | .940 | .800 | 8 | 9 | 1- |
| 5 | .920 | .840 | .700 | 7 | 8 | 1- |
| 5 | .820 | .740 | .600 | 6 | 7 | 1- |
| 5 | .720 | .640 | .500 | 5 | 6 | 1- |
| 5 | .620 | .540 | .400 | 4 | 5 | 1- |
| 5 | .520 | .440 | .300 | 3 | 4 | 1- |
| 5 | .420 | .340 | .200 | 2 | 3 | 103080-1 |

THIS DRAWING IS A CONTROLLED DOCUMENT. DWN J. MARTINELLI 17AUG92
CHK -

APVD H. PALEY 21AUG92 NAME

PRODUCT SPEC

APPLICATION SPEC

SIZE CAGE CODE DRAWING NO RESTRICTED TO

A1 00779 C=103080

MATERIAL RETARDANT THERMOPLASTIC, COLOR-BLACK POSTS-BRASS FINISH SEE TABLE WEIGHT - SCALE 4:1 SHEET 1 OF 1 REV V3

CUSTOMER DRAWING

STE TE Connectivity

ASSEMBLY, MOD II, SINGLE ROW, .100 C/L, (4) SIDED SHROUD

单击下面可查看定价，库存，交付和生命周期等信息

[>>TE Connectivity\(泰科\)](#)