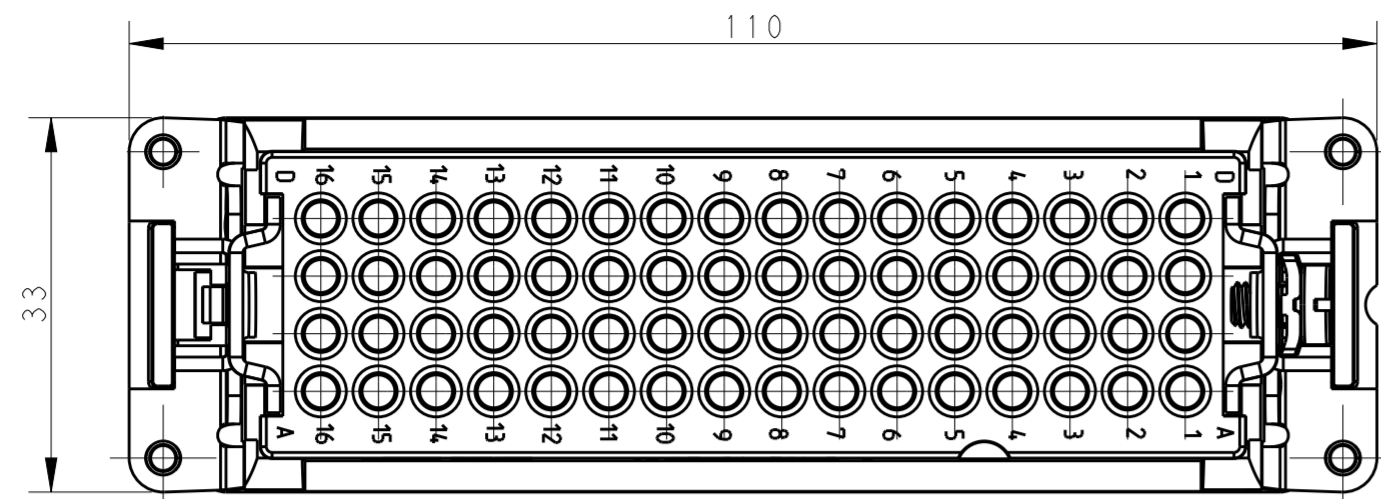
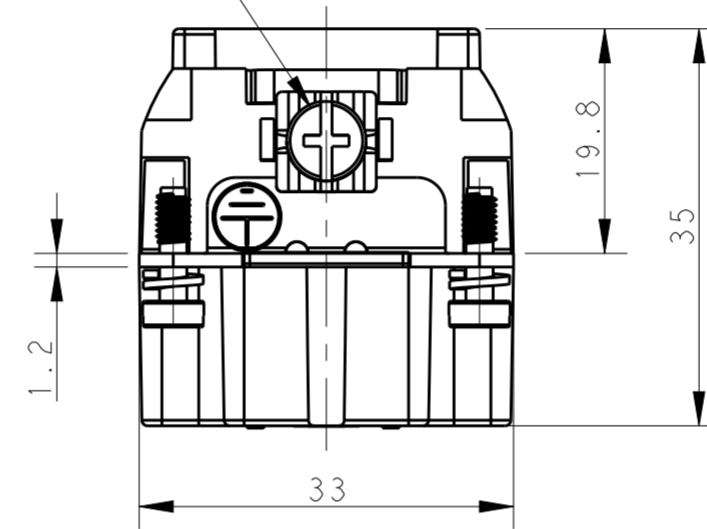
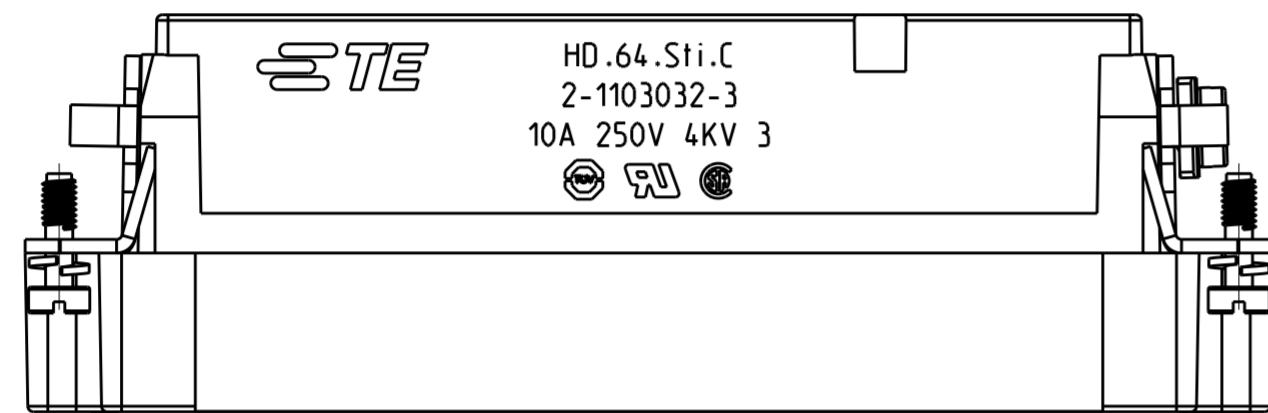


P	LTR	DESCRIPTION	DATE	DWN	APVD
C		ECR-20-005011	06APR2020	QY	JB
D		ECR-20-007704	03JUN2020	QY	JB



M4 SCREW RECOMMENDED
TIGHTENING TORQUE 1.2Nm
M4螺丝, 推荐锁紧力矩1.2Nm



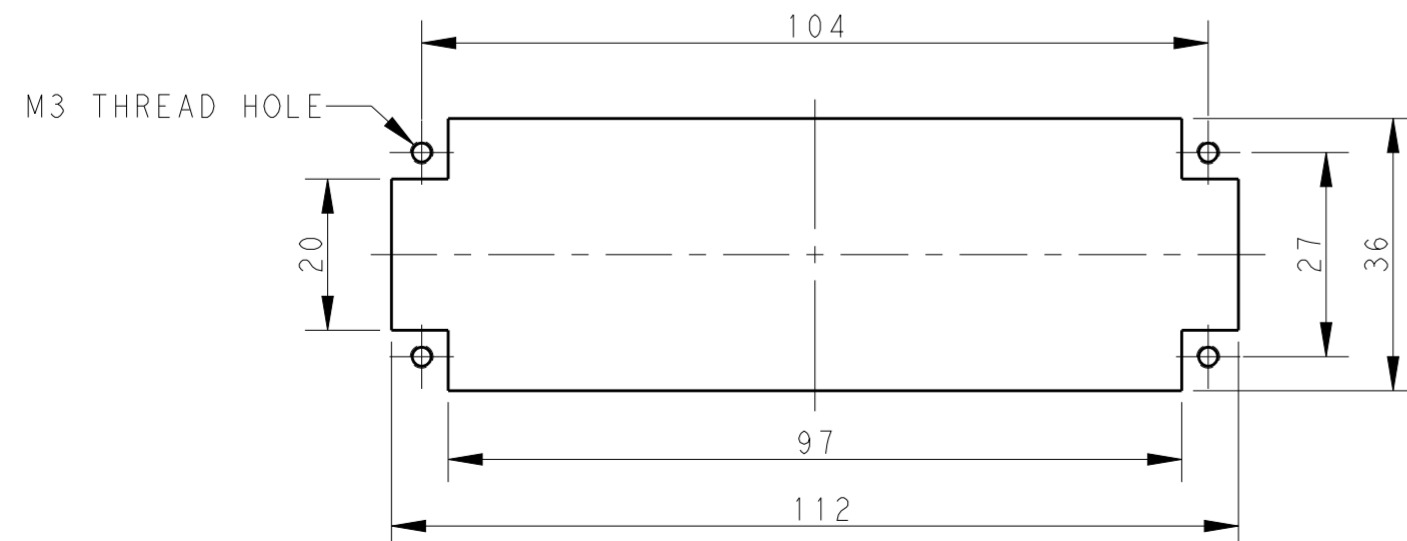
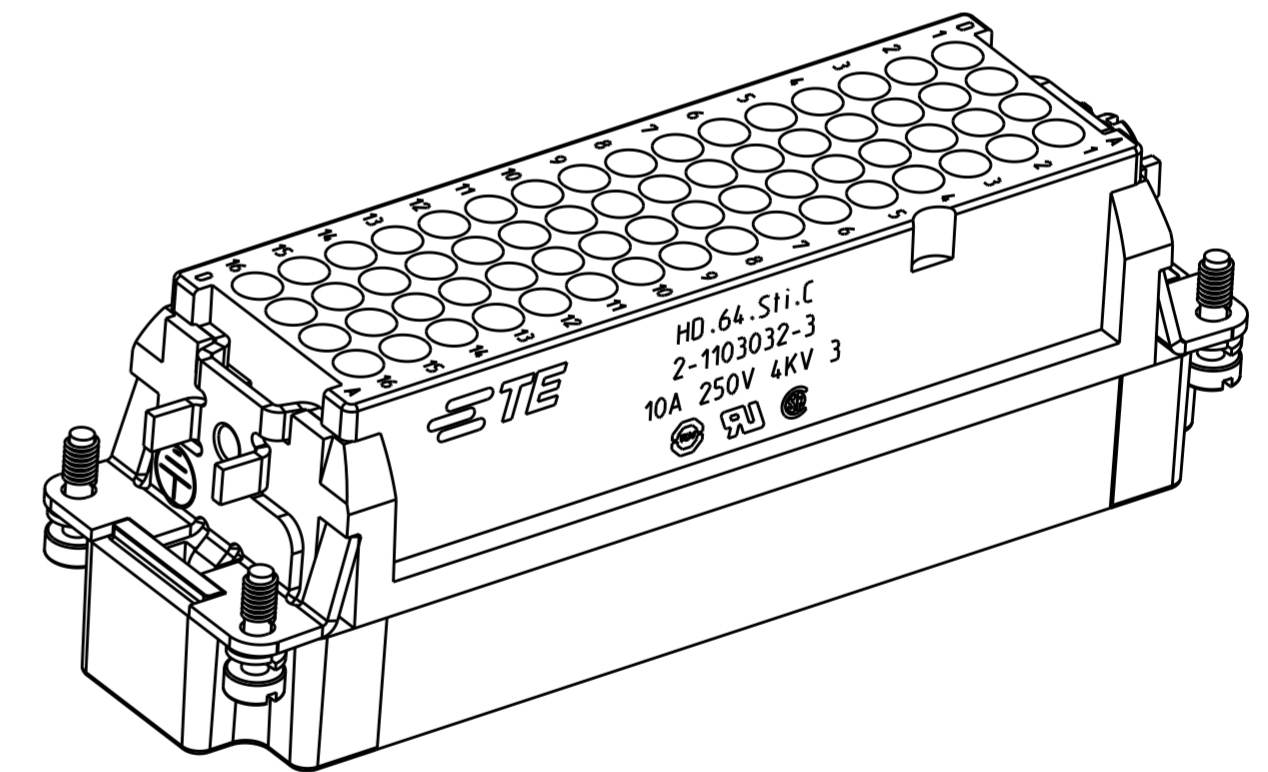
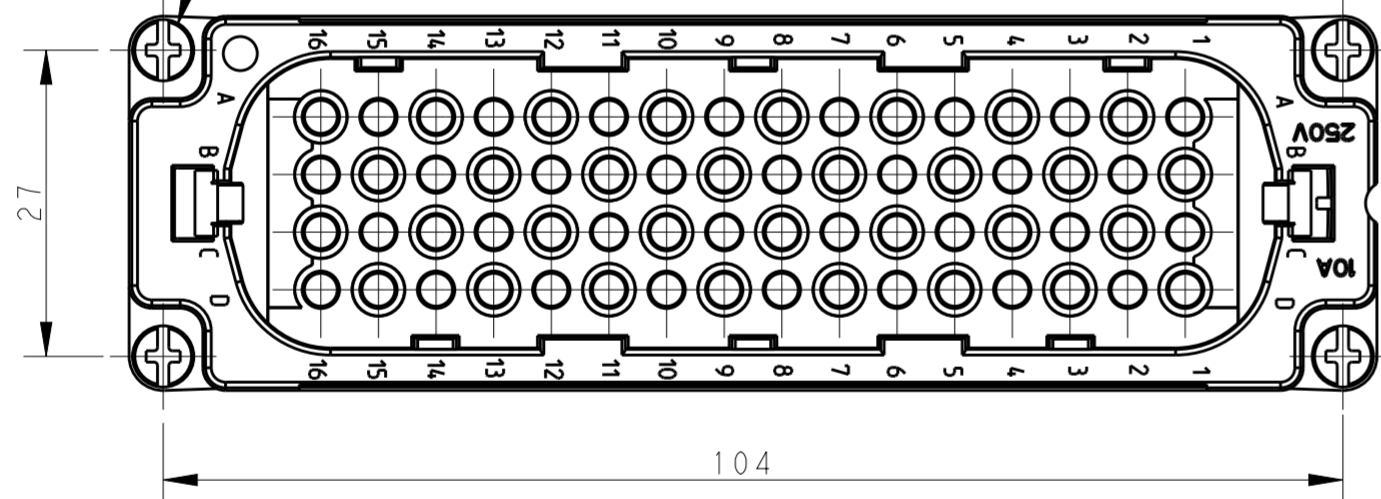
NOTES:

- TECHNICAL CHARACTERISTICS:
INSULATION MATERIAL: PC
RATED VOLTAGE: 250V
RATED CURRENT: 10A
INSULATION RESISTANCE: $\geq 400M\Omega$
RATED IMPULSE VOLTAGE: 4KV
POLLUTION DEGREE: 3
MATING CYCLES: 500 CYCLES
WIRE RANGE: $0.14mm^2 \sim 2.5mm^2$ (AWG26-AWG14)
- CONTACT NEED TO BE ORDERED SEPARATELY.

注释:

- 技术参数:
绝缘材料: PC
额定电压: 250V
额定电流: 10A
绝缘电阻: $\geq 400M\Omega$
脉冲电压: 4KV
污染等级: 3
插拔次数: 500 次
接线范围: $0.14mm^2 \sim 2.5mm^2$ (AWG26-AWG14)
- 端子需要单独订购.

4X M3 SCREW
RECOMMENDED TIGHTENING TORQUE 0.5Nm
4X M3 螺丝, 推荐锁紧力矩0.5Nm



PANEL CUT FOR INSERTS FOR USE
WITHOUT HOODS/ HOUSINGS
不使用防护外壳时芯件的安装开孔图

2-1103032-3	HD.64.Sti.C	HD-064 MALE INSERT FOR STAMPED CONTACT TYPE HD-064 公插, 卷皮针型(HTS)
PART NUMBER 料号	PART DESCRIPTION 描述	

THIS DRAWING IS A CONTROLLED DOCUMENT.		DWN QIANG YUAN 08JAN2020	TE Connectivity	
DIMENSIONS: mm		CHK JAN BREDOW 08JAN2020		
TOLERANCES UNLESS OTHERWISE SPECIFIED:		APVD MARCIN KOMAR 08JAN2020	NAME HD.64.Sti.C	
0 PLC ±		PRODUCT SPEC 108-74002	SIZE A200779	
1 PLC ±		APPLICATION SPEC 114-74000	CAGE CODE C-1103032	
2 PLC ±		WEIGHT -	DRAWING NO -	
3 PLC ±		CUSTOMER DRAWING	RESTRICTED TO -	
4 PLC ±		SCALE 3:2	SHEET 1 OF 1	
ANGLES ±		REV D		
FINISH				

单击下面可查看定价，库存，交付和生命周期等信息

[>>TE Connectivity\(泰科\)](#)