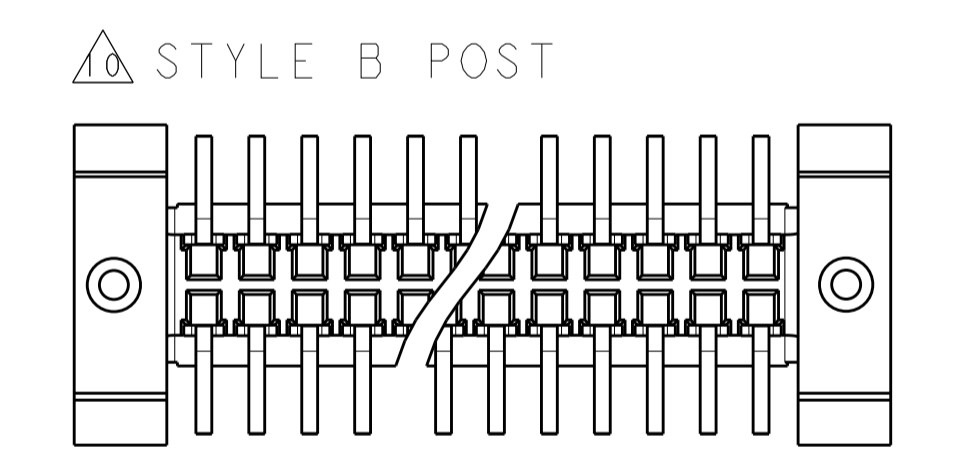
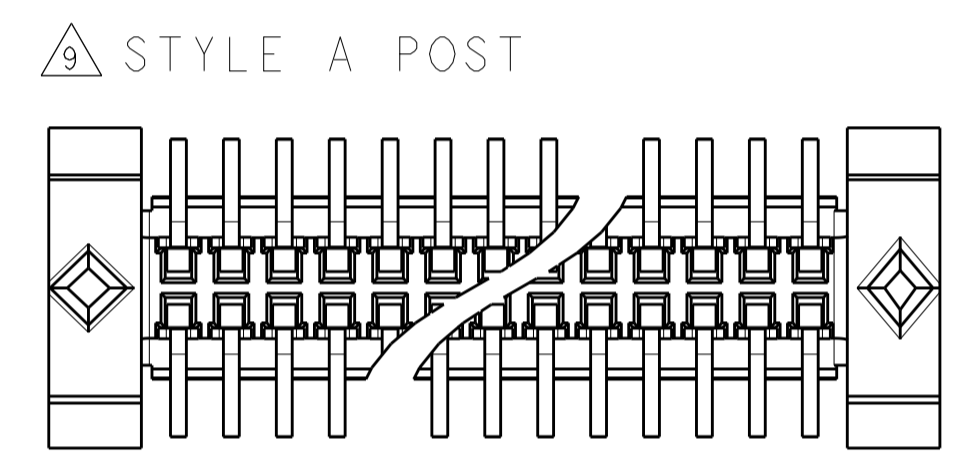
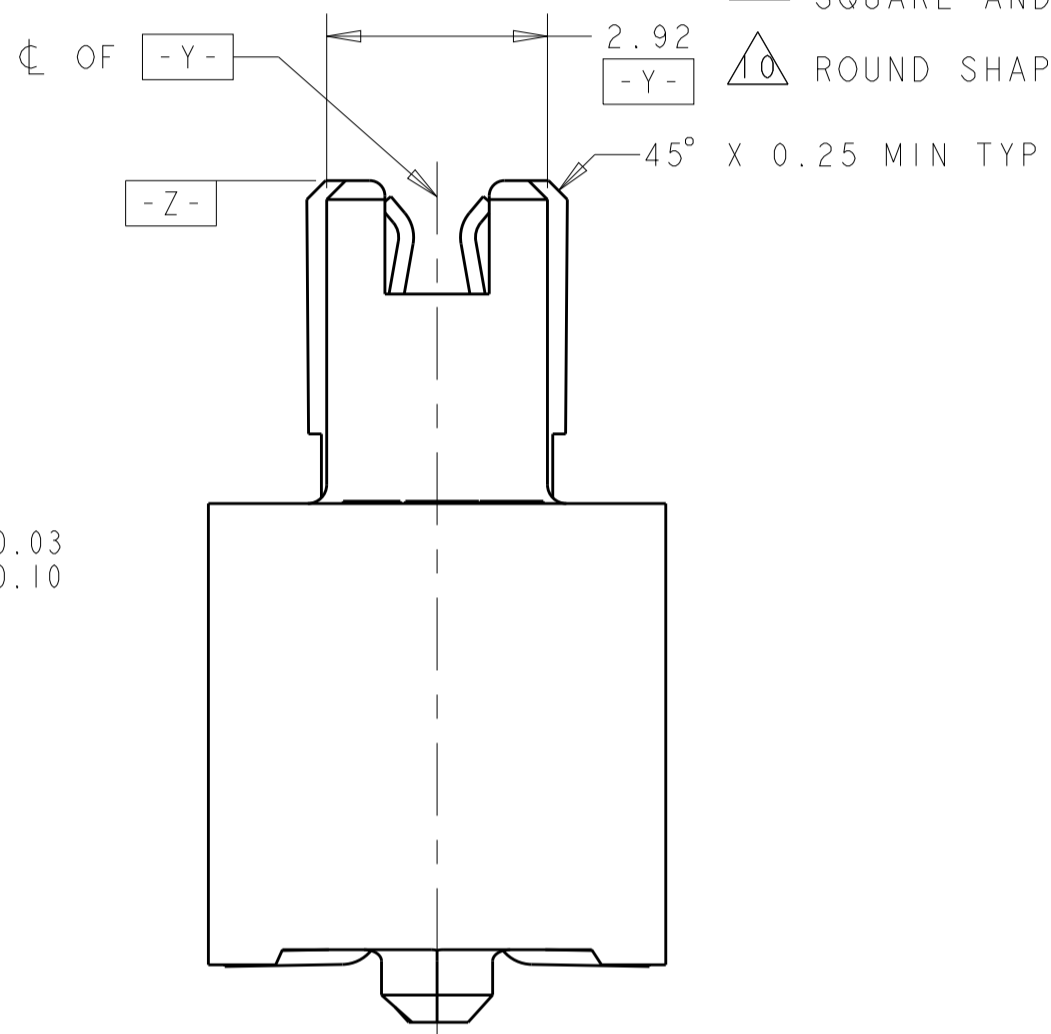
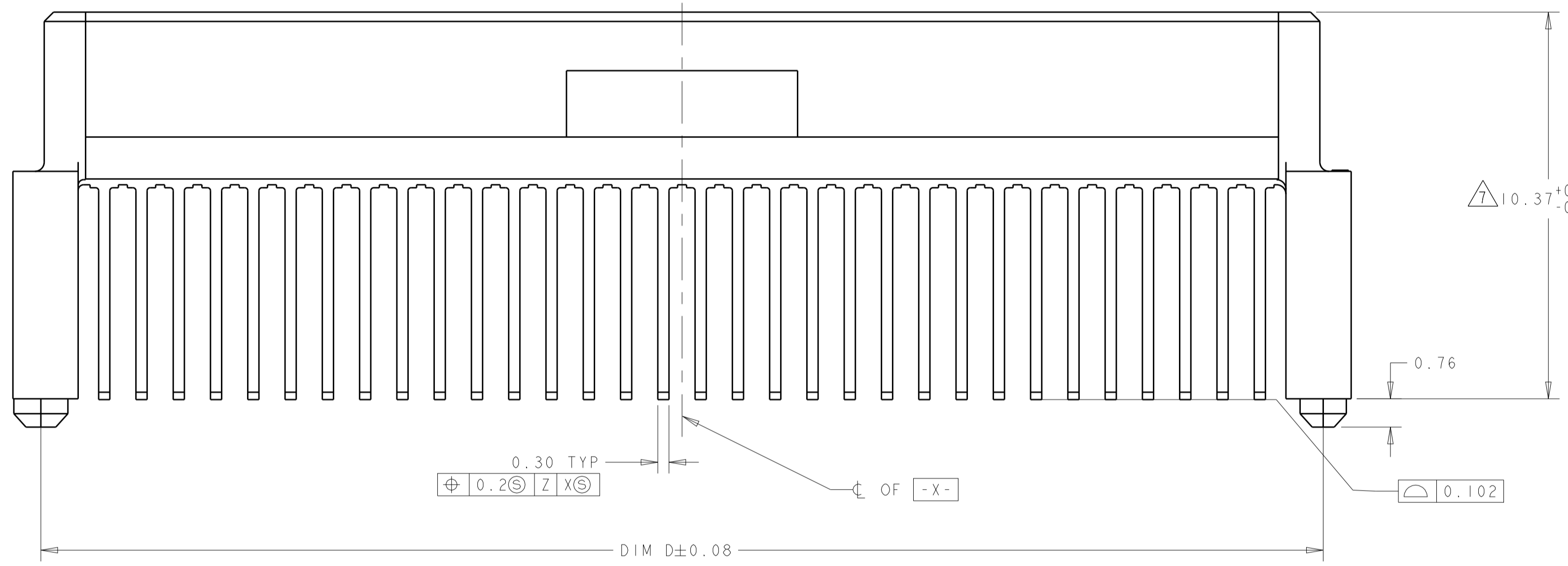
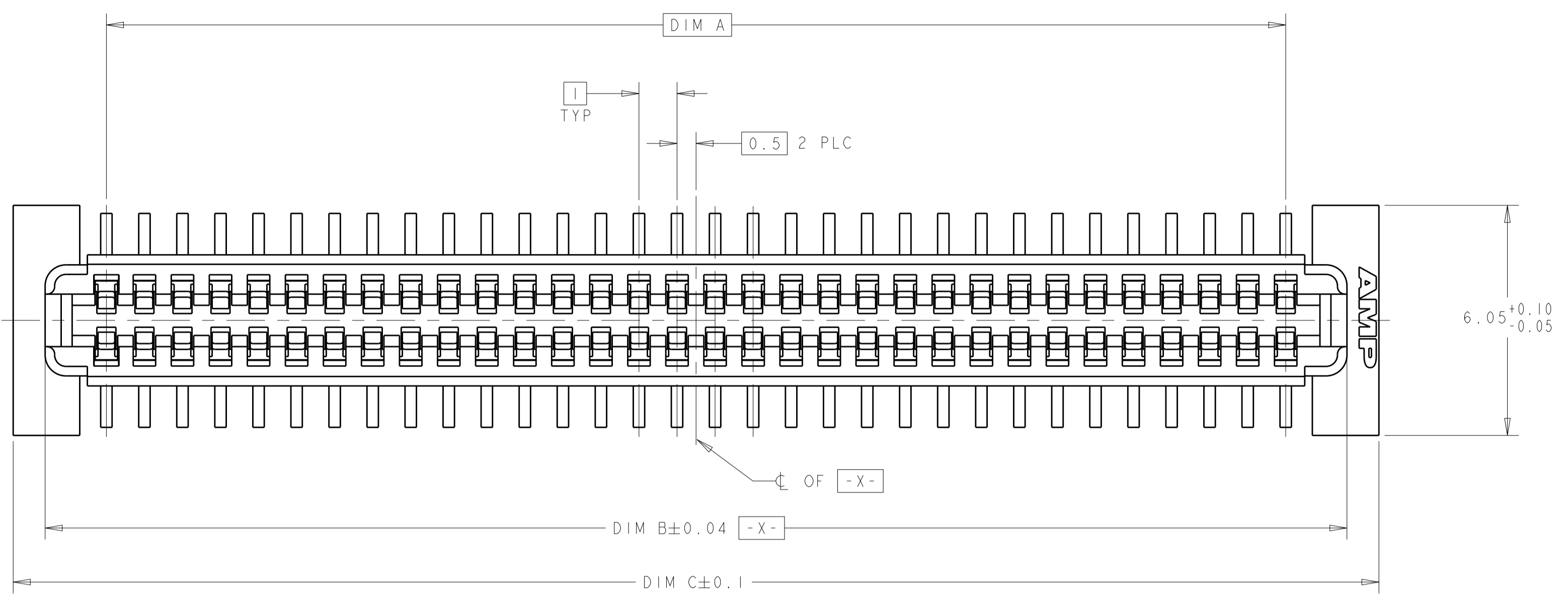
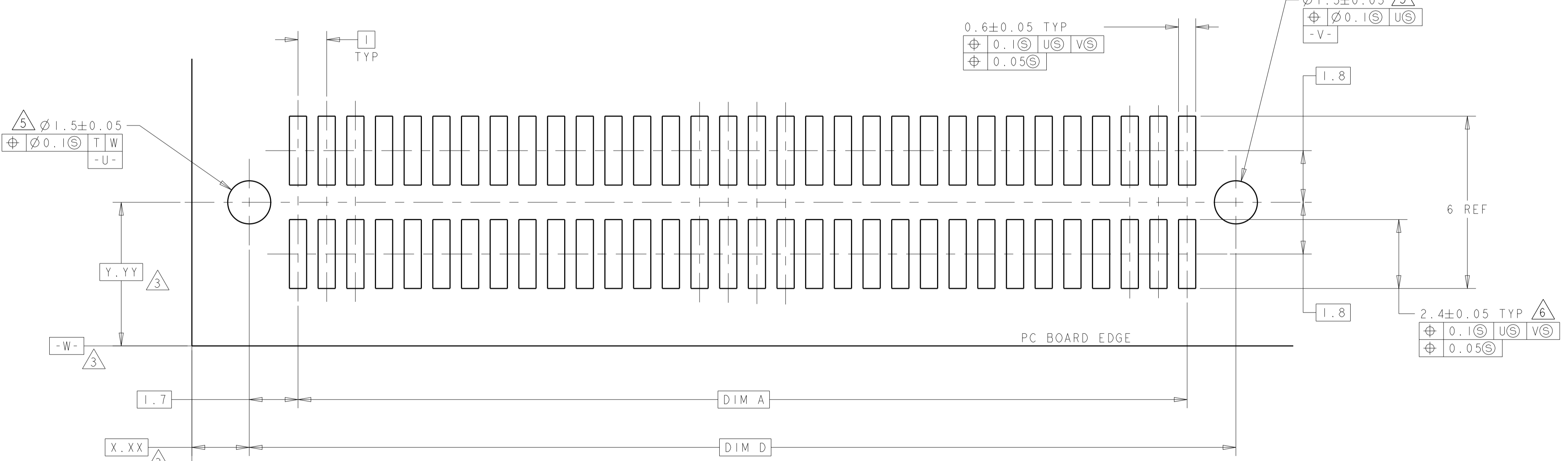


| REVISIONS |     |                       |           |          |
|-----------|-----|-----------------------|-----------|----------|
| P.        | LTN | DESCRIPTION           | DATE      | OWN APVD |
|           | K   | REV PER ECR-14-016951 | 11FEB2015 | J.T. W.H |



- HOUSING MATERIAL: HIGH TEMPERATURE THERMOPLASTIC, COLOR; BLACK. CONTACT MATERIAL: PHOSPHOR BRONZE.
- CONTACT FINISH: NICKEL UNDERPLATE ALL OVER, MATING SURFACES PLATED TO MEET PL1 PERFORMANCE REQUIREMENTS OF INDUSTRY SPECIFICATION EIA-700AAAB, SOLDER TAILS PLATED TIN-LEAD.
- DATUM LOCATIONS AND BASIC DIMENSIONS TO BE ESTABLISHED BY THE CUSTOMER. CONSULT AMP ENGINEERING WHEN PLACING MULTIPLE CONNECTORS ON A PC BOARD.
- PACKAGED IN TAPE ON REELS PER EIA-481.
- 1.5 MIN DIAMETER HOLE SHOULD BE USED IF USING POST STYLE "A" AND PLACING ON PCB WITH VACUUM PLACEMENT EQUIPMENT.
- SHORTER SOLDER LANDS MAY BE USED PER EIA 700AAAB, HOWEVER 2.4 LENGTH ASSURES OPTIMUM SOLDER FILLET REGARDLESS OF MANUFACTURER OF CONNECTOR.
- REFERRED TO AS DIM H = 10.3±0.1 IN EIA 700AAAB SPECIFICATION.
- CONTACT FINISH: 0.002 MINIMUM BRIGHT TIN-LEAD (93-7) ON SOLDER AREA, 0.00127 MINIMUM GOLD ON MATING AREA, BOTH OVER 0.00127 MINIMUM NICKEL ON ENTIRE CONTACT.
- SQUARE AND DIAMOND SHAPED POSTS
- ROUND SHAPED POSTS



RECOMMENDED PC BOARD LAYOUT

| POST STYLE | FINISH | DIM D | DIM C | DIM B | DIM A | STACK HGTS | POS | PART NO    |
|------------|--------|-------|-------|-------|-------|------------|-----|------------|
| 10         | 8      | 44.4  | 45.9  | 44.22 | 41    | 14, 15     | 84  | 3-120524-2 |
| 10         | 8      | 34.4  | 35.9  | 34.22 | 31    | 14, 15     | 64  | 3-120524-1 |
| 10         | 2      | 44.4  | 45.9  | 44.22 | 41    | 14, 15     | 84  | 2-120524-2 |
| 10         | 2      | 34.4  | 35.9  | 34.22 | 31    | 14, 15     | 64  | 2-120524-1 |
| 9          | 8      | 44.4  | 45.9  | 44.22 | 41    | 14, 15     | 84  | 1-120524-2 |
| 9          | 8      | 34.4  | 35.9  | 34.22 | 31    | 14, 15     | 64  | 1-120524-1 |
| 9          | 2      | 44.4  | 45.9  | 44.22 | 41    | 14, 15     | 84  | 120524-2   |
| 9          | 2      | 34.4  | 35.9  | 34.22 | 31    | 14, 15     | 64  | 120524-1   |

THIS DRAWING IS A CONTROLLED DOCUMENT. DWN J. REED 27/11/97  
 CHK L. VO 27/11/97  
 APVD - NAME -

TE Connectivity  
**RCPT ASSY, 1.0mm FH(IEEE1386)  
 CONNECTOR**

PRODUCT SPEC: 502-1079  
 APPLICATION SPEC: 114-25045

SIZE: A1 CAGE CODE: 100779 DRAWING NO: 120524  
 RESTRICTED TO: -

MATERIAL: SEE TABLE  
 FINISH: SEE TABLE  
 WEIGHT: -  
 CUSTOMER DRAWING: -

SCALE: 10:1 SHEET: 1 OF 1 REV: K

单击下面可查看定价，库存，交付和生命周期等信息

[>>TE Connectivity\(泰科\)](#)