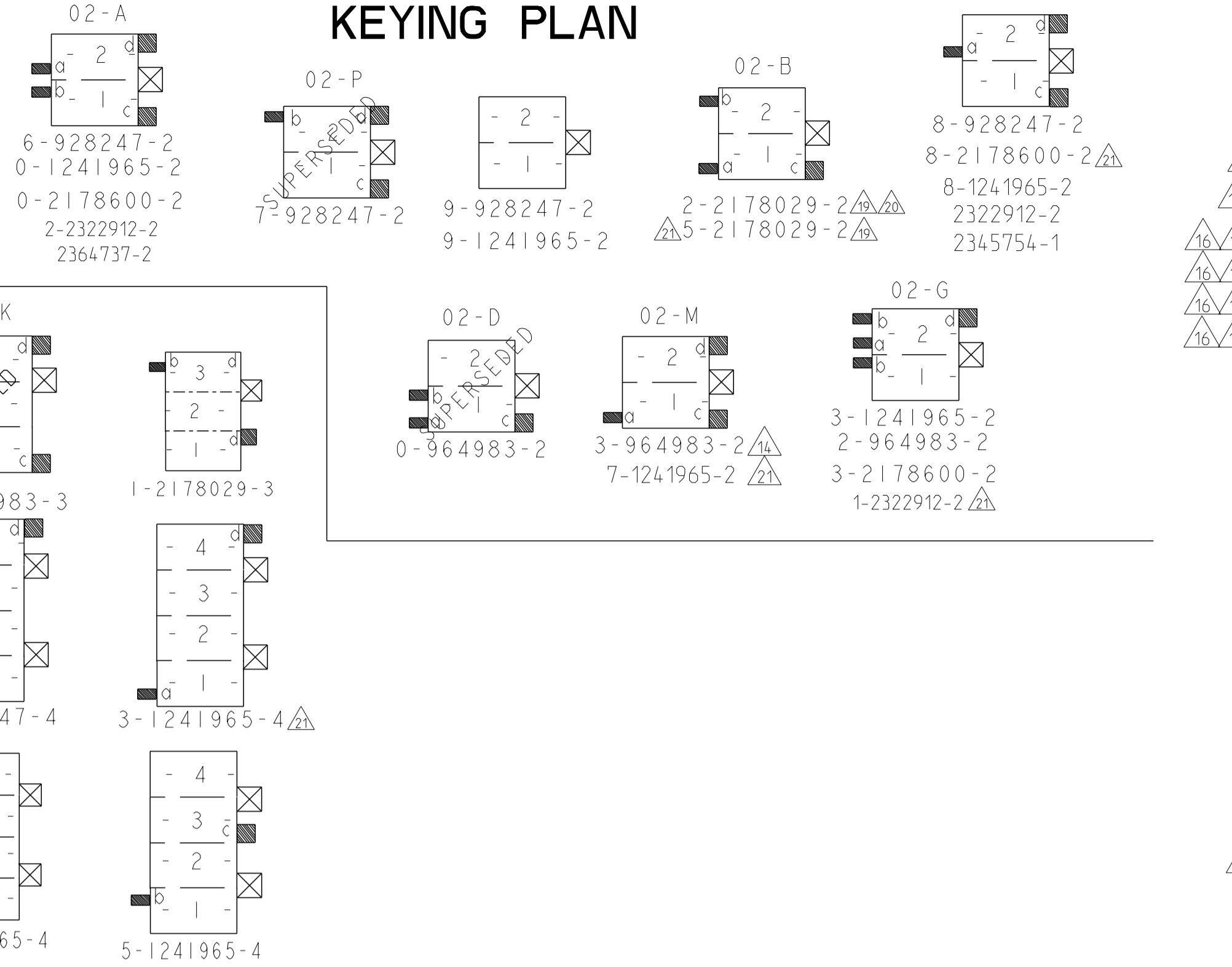
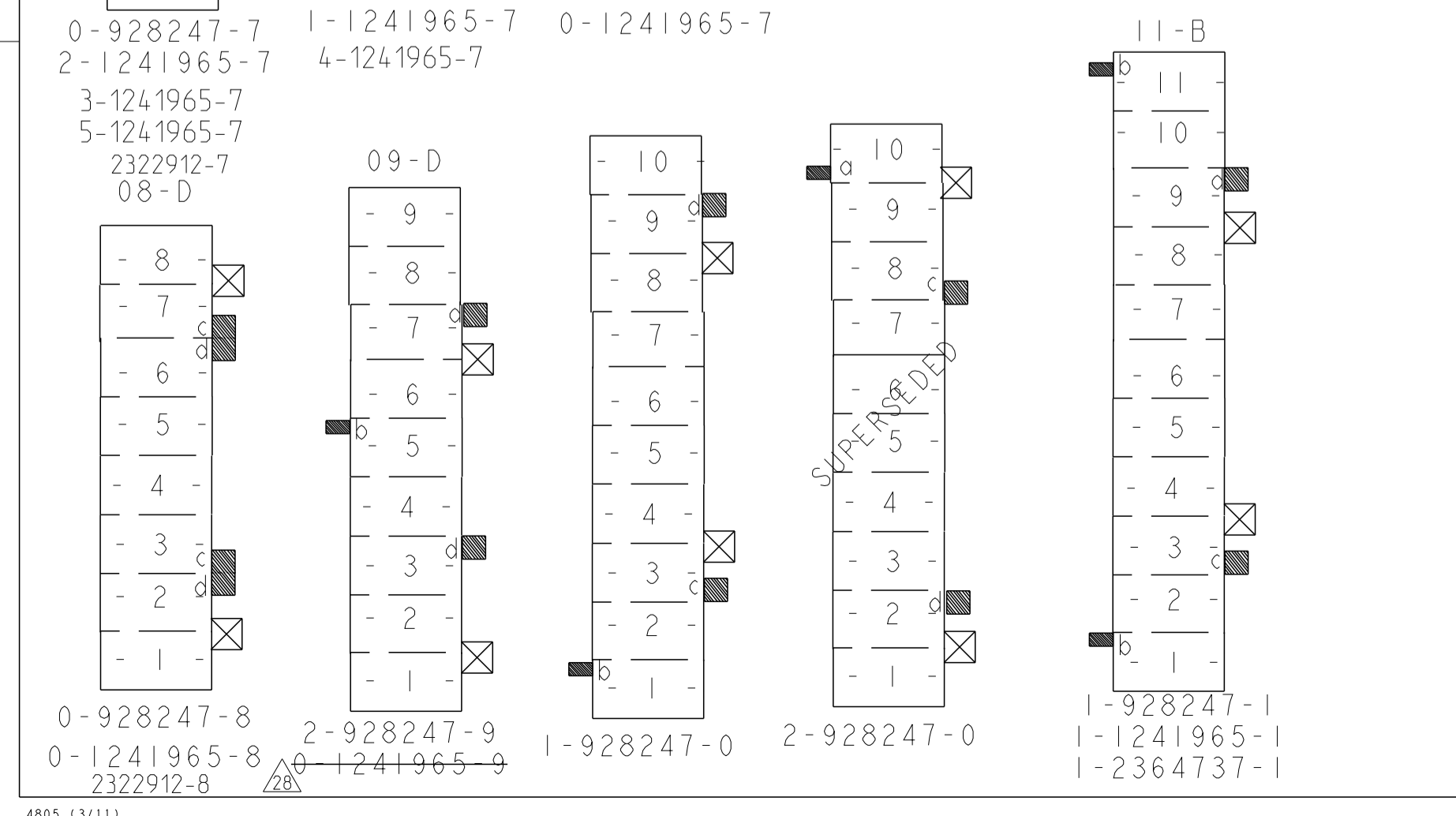
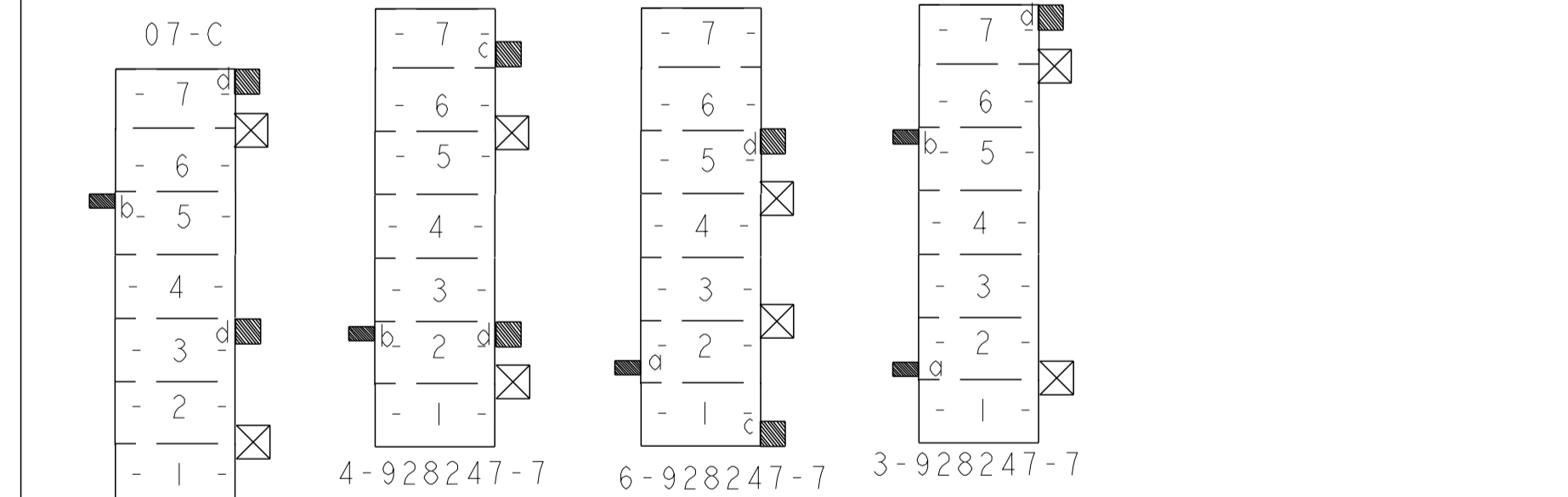
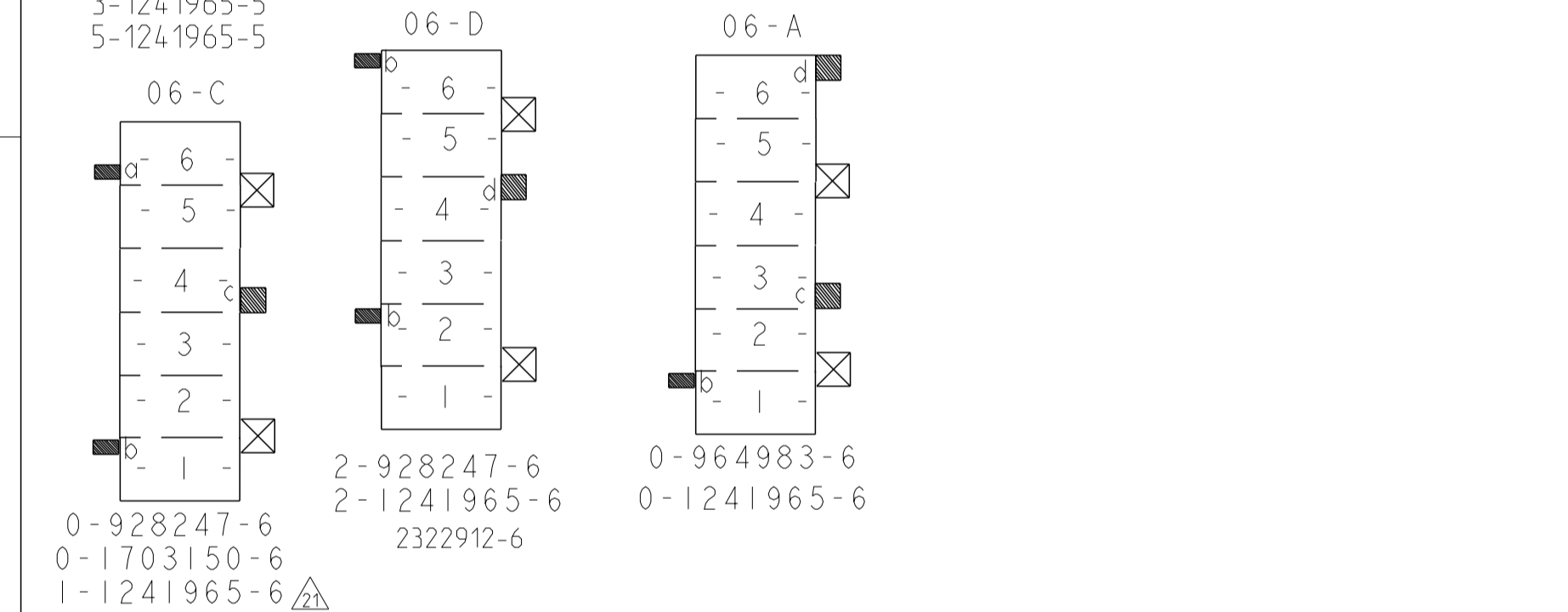
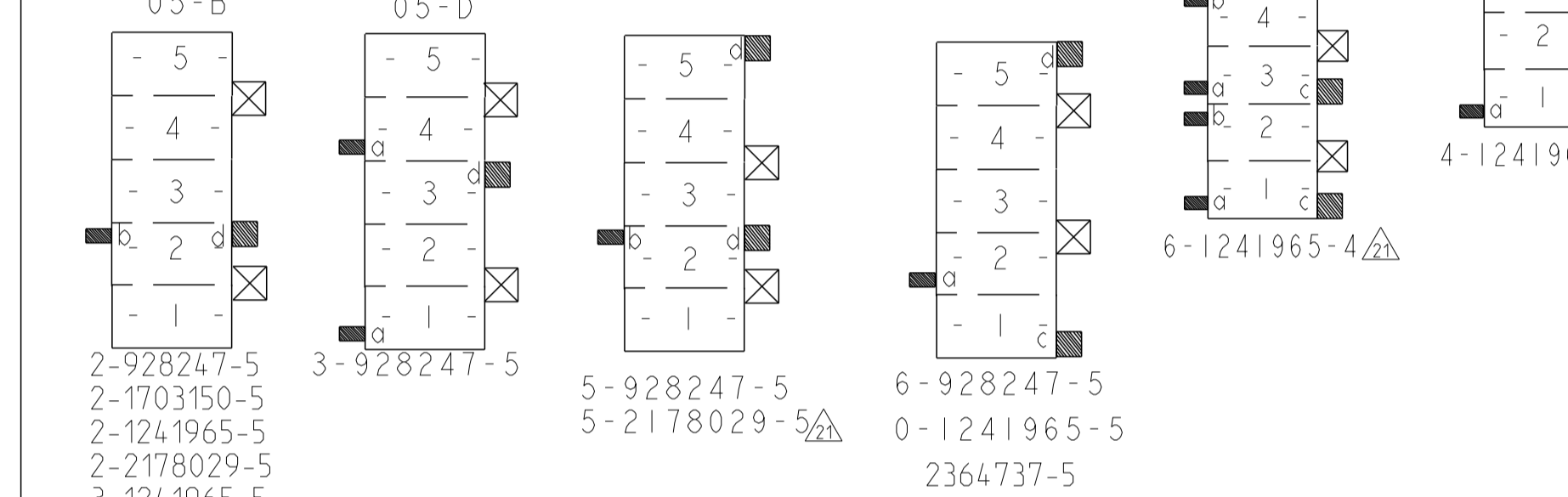
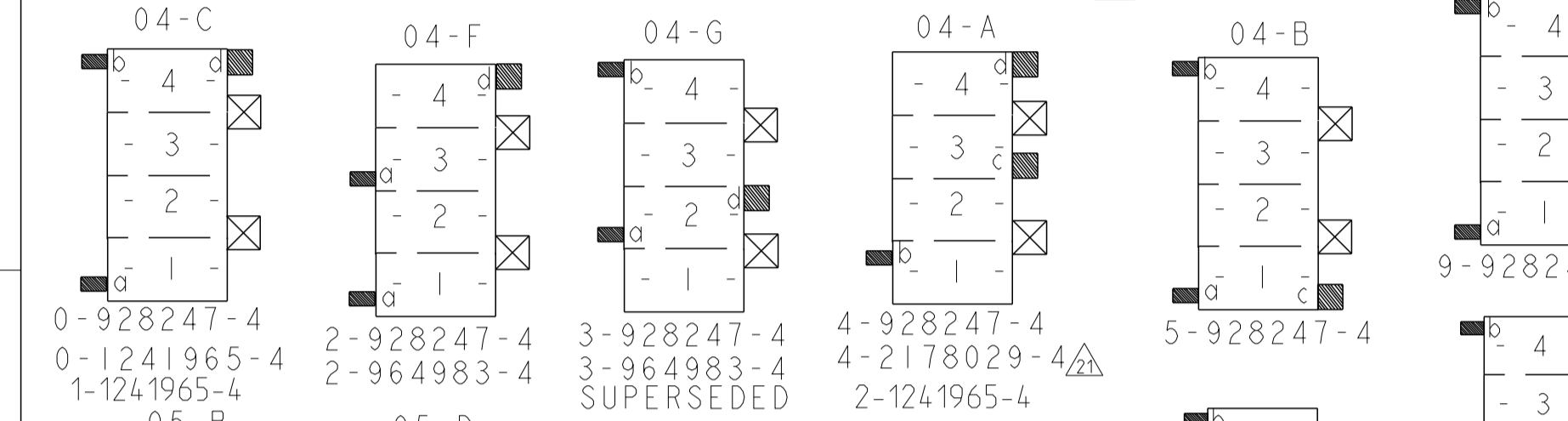
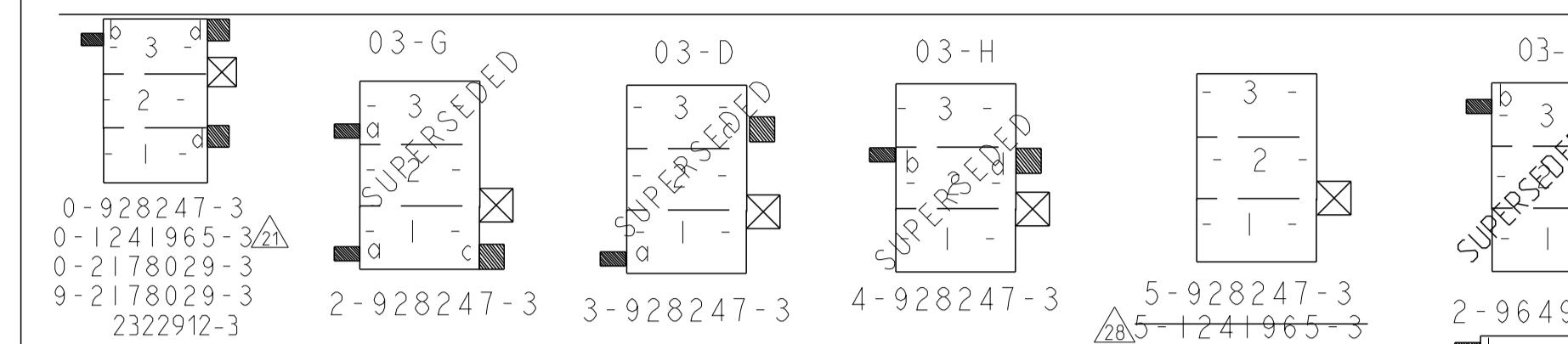
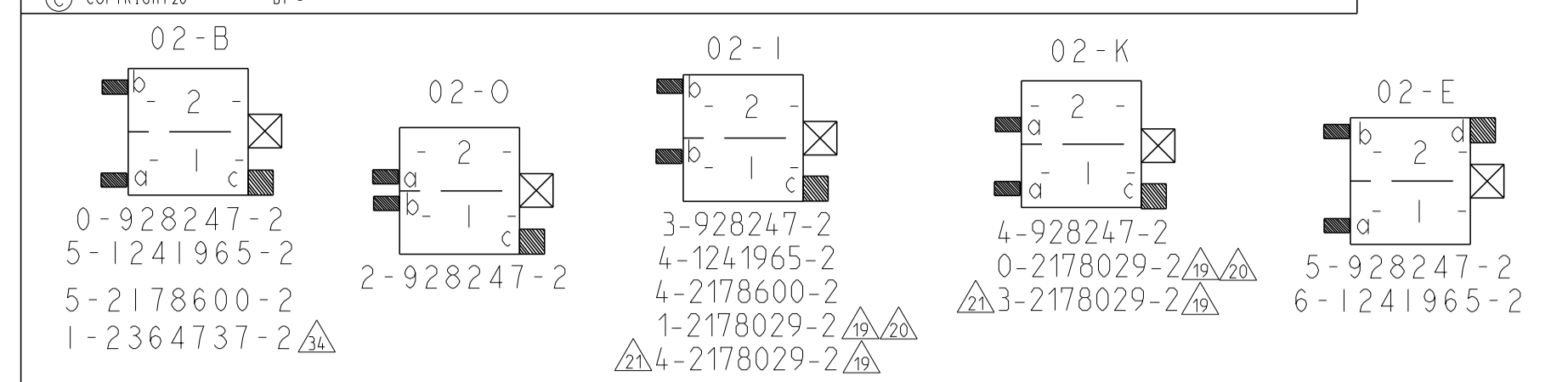


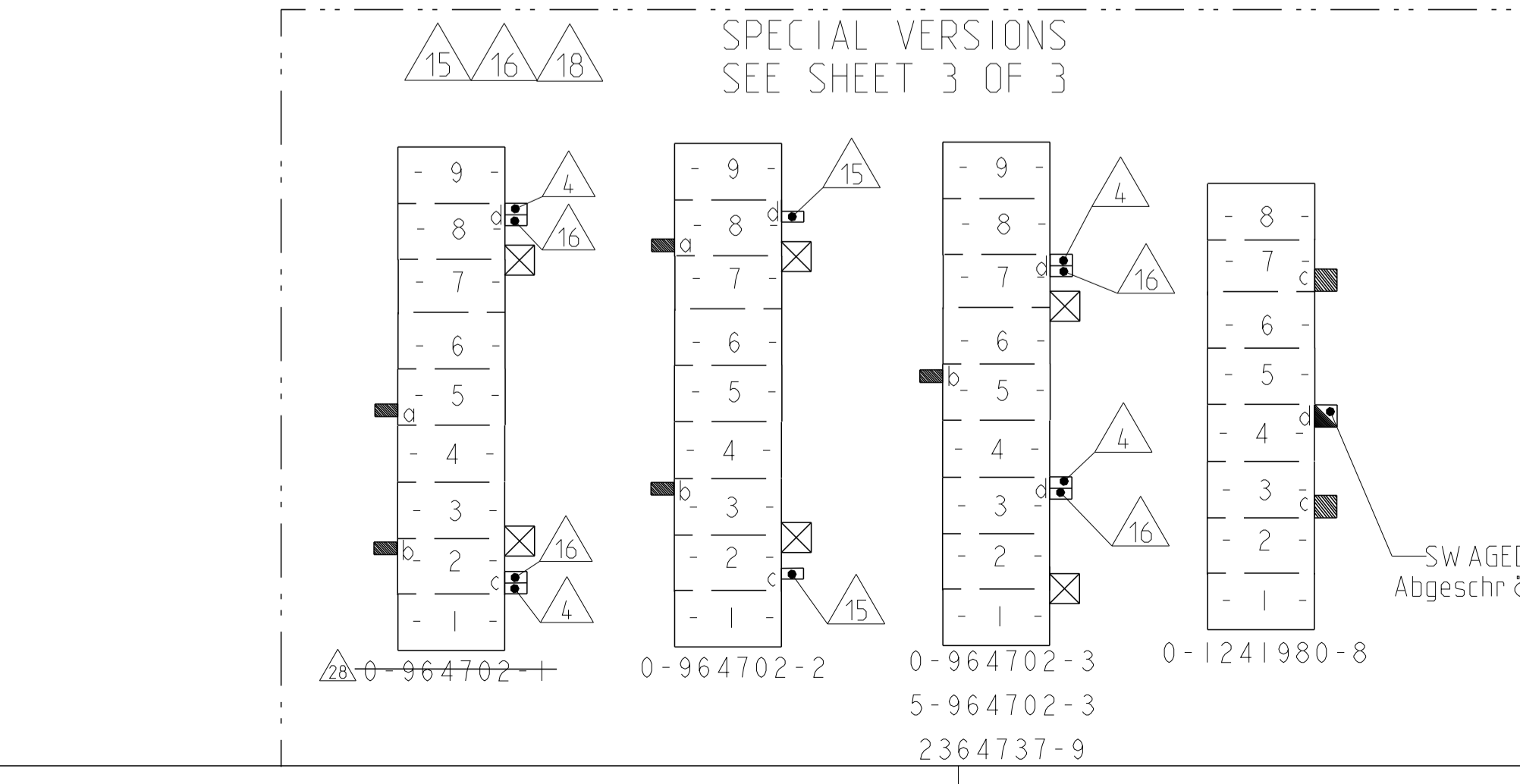
KEYING PLAN

LOC	DIST	REV	DATE	BY	APPV
A1	-	1	-	-	-



PART NO.	POS.	RAST 5	DIM A	DIM B	COLOUR	MATERIAL	LOCKING LATCH	REV.	MATED WITH
Bestell-Nr.	Pol.	Rast 5	Maß A	Maß B	Farbe		Rasthaken	Rev.	Gegenstecker
3-1241965-7	7	07-C	35	30	NATURAL	PA6 GF15 UL94V-2	D	A	12/13
3-1241965-5	5	05-B	25	20	NATURAL	UL94V-2	D	A	12/13
8-2178600-2	2	02-C	10	5	NATURAL	PA6 GF15 UL94V-2	B	1	12/13
5-2178600-2	2	02-B	10	5	BLACK	UL94V-2	B	B	12/13
4-2178600-2	2	02-I	10	5	RED	UL94V-2	B	B	12/13
3-2178600-2	2	02-G	10	5	BLUE	UL94V-2	B	B	12/13
0-2178600-2	2	02-A	10	5	NATURAL	UL94V-2	B	B	12/13
2-1241965-7	7	07-C	35	30	NATURAL	PA6 UL94V-2	B	A	12/13
1-1241965-6	6	06-C	30	25	NATURAL	UL94V-2	B	1	12/13
0-1241965-6	6	06-A	30	25	NATURAL	UL94V-2	B	A	12/13
5-1241965-3	3	-	15	10	NATURAL	UL94V-2	A	1	12/13
0-1241965-3	3	-	15	10	NATURAL	UL94V-2	B	1	12/13
6-1241965-2	2	02-E	10	5	NATURAL	UL94V-2	B	A	12/13

PART NO.	POS.	RAST 5	DIM A	DIM B	COLOUR	MATERIAL	LOCKING LATCH	REV.	MATED WITH
Bestell-Nr.	Pol.	Rast 5	Maß A	Maß B	Farbe		Rasthaken	Rev.	Gegenstecker
5-2178029-5	5	-	25	20	GREEN	UL94V-0	B	1	12/13
2-2178029-5	5	-	25	20	BLACK	UL94V-0	B	A	12/13
4-2178029-4	4	-	20	15	NATURAL	UL94V-0	B	1	12/13
9-2178029-3	3	-	15	10	YELLOW	UL94V-0	B	A	12/13
1-2178029-3	3	-	15	10	NATURAL	UL94V-0	B	B	12/13
0-2178029-3	3	-	15	10	NATURAL	UL94V-0	B	A	12/13
5-2178029-2	2	02-B	10	5	NATURAL	UL94V-0	B	1	12/13
4-2178029-2	2	02-I	10	5	NATURAL	UL94V-0	B	1	12/13
3-2178029-2	2	02-K	10	5	NATURAL	UL94V-0	B	1	12/13
2-2178029-2	2	02-B	10	5	BLACK	UL94V-0	B	A	12/13
1-2178029-2	2	02-I	10	5	RED	UL94V-0	B	A	12/13
0-2178029-2	2	02-K	10	5	GREEN	UL94V-0	B	A	12/13



LOC	DIST	REV	DATE	BY	APPV
A1	-	1	-	-	-

REV	DATE	DESCRIPTION	DATE	BY	APPV
1	-	SEE SHEET 1	-	-	-

PART NO.	POS.	RAST 5	DIM A	DIM B	COLOUR	MATERIAL	LOCKING LATCH	REV.	MATED WITH
Bestell-Nr.	Pol.	Rast 5	Maß A	Maß B	Farbe		Rasthaken	Rev.	Gegenstecker
7-1241965-2	2	02-M	10	5	NATURE	UL94 V-0	B	1	12/13
0-1241980-8	8	-	40	35	NATURE/natur	UL94V-0	-	B	12/13
5-964702-3	-	-	-	-	NATURE/natur	UL94V-2	C	E	12/13
0-964702-3	-	-	45	40	NATURE/natur	UL94V-2	C	E	12/13
0-964702-2	-	-	-	-	BLACK/schwarz	UL94V-2	C	E	12/13
0-964702-1	-	-	-	-	NATURE/natur	UL94V-2	C	E	12/13
0-964983-6	6	06-A	30	25	WHITE/weiß	UL94V-2	B	D	12/13
3-1241817-4	4	04-G	20	15	GREY/grau	UL94V-2	B	D	12/13
2-964983-4	4	04-F	20	15	ORANGE/orange	UL94V-2	B	D	12/13
2-1241817-3	3	03-K	15	10	GREEN/grün	UL94V-2	B	D	12/13
2-964983-2	2	02-M	10	5	VIOLET/violett (lila)	UL94V-2	B	D	12/13
2-964983-2	2	02-G	10	5	BLUE/blau	UL94V-2	B	D	12/13
0-964983-2	2	02-D	10	5	BLACK/schwarz	UL94V-2	B	D	12/13
1-1241965-1	11	11-B	55	50	NATURE/natur	UL94V-2	B	D	12/13
0-1241965-9	9	09-D	45	40	NATURE/natur	UL94V-2	B	D	12/13
0-1241965-8	8	08-D	40	35	NATURE/natur	UL94V-2	B	D	12/13
1-1241965-7	7	-	35	30	NATURE/natur	UL94V-2	B	D	12/13
0-1241965-7	7	-	35	30	NATURE/natur	UL94V-2	B	D	12/13
2-1241965-6	6	06-D	30	25	NATURE/natur	UL94V-2	B	D	12/13
2-1241965-5	5	05-B	25	20	NATURE/natur	UL94V-2	B	D	12/13
0-1241965-5	5	-	25	20	NATURE/natur	UL94V-2	B	D	12/13
6-1241965-4	4	-	20	15	NATURAL	UL94V-2	B	D	12/13
0-1241965-4	4	04-C	20	15	NATURE/natur	UL94V-2	B	D	12/13
9-1241965-2	2	-	10	5	NATURE/natur	UL94V-2	B	D	12/13
5-1241965-2	2	02-B	10	5	BLACK/schwarz	UL94V-2	B	D	12/13
4-1241965-2	2	02-I	10	5	RED/rot	UL94V-2	B	D	12/13
3-1241965-2	2	02-G	10	5	BLUE/blau	UL94V-2	B	D	12/13
0-1241965-2	2	02-A	10	5	NATURE/natur	UL94V-2	B	D	12/13
1-928247-1	11	11-B	55	50	YELLOW/gelb	UL94V-2	B	D	12/13
2-928247-0	10	-	50	45	GREY/grau	UL94V-2	B	D	12/13
1-928247-0	10	-	50	45	BROWN/braun	UL94V-2	B	D	12/13
2-928247-9	9	09-D	45	40	BLUE/blau	UL94V-2	B	D	12/13
0-928247-8	8	08-D	40	35	BLUE/blau	UL94V-2	B	D	12/13
6-928247-7	7	-	35	30	GREEN/grün	UL94V-2	A	D	12/13
4-928247-7	7	-	35	30	NATURE/natur	UL94V-2	A	D	12/13
3-928247-7	7	-	35	30	NATURE/natur	UL94V-0	A	D	12/13
0-928247-7	7	07-C	35	30	GREY/grau	UL94V-2	B	D	12/13
2-928247-6	6	06-D	30	25	BLUE/blau	UL94V-2	B	D	12/13
0-1703150-6	6	06-C	30	25	GREY/grau	UL94V-2	A	D	12/13
0-928247-6	6	06-C	30	25	GREY/grau	UL94V-2	B	D	12/13
6-928247-5	5	-	25	20	NATURE/natur	UL94V-2	B	D	12/13
5-928247-5	5	-	25	20	GREEN/grün	UL94V-2	B	D	12/13
3-928247-5	5	05-D	25	20	BLUE/blau	UL94V-2	A	D	12/13
2-1703150-5	5	05-B	25	20	BLACK/schwarz	UL94V-2	A	D	12/13
2-928247-5	5	05-B	25	20	BLACK/schwarz	UL94V-2	B	D	12/13
9-928247-4	4	-	20	15	NATURE/natur	UL94V-0	A	D	12/13
5-928247-4	4	04-B	20	15	BLACK/schwarz	UL94V-0	A	D	12/13
4-928247-4	4	04-A	20	15	NATURE/natur	UL94V-0	B	D	12/13
3-928247-4	4	04-G	20	15	VIOLET/violett (lila)	UL94V-0	B	D	12/13
2-928247-4	4	04-F	20	15	WHITE/weiß	UL94V-0	B	D	12/13
0-928247-4	4	04-C	20	15	GREY/grau	UL94V-0	B	D	12/13
5-928247-3	3	-	15	10	NATURE/natur	UL94V-2	A	D	12/13
4-928247-3	3	03-H	15	10	BROWN/braun	UL94V-2	A	D	12/13
3-928247-3	3	03-D	15	10	BLUE/blau	UL94V-2	A	D	12/13
2-928247-3	3	03-G	15	10	VIOLET/violett (lila)	UL94V-2	A	D	12/13
0-928247-3	3	-	15	10	YELLOW/gelb	UL94V-2	B	D	12/13
9-928247-2	2	-	10	5	NATURE/natur	UL94V-2	B	D	12/13
8-928247-2	2	02-C	10	5	GREY/grau	UL94V-2	B	D	12/13
7-928247-2	2	02-P	10	5	PURPLED/purpurrot	UL94V-2	A	D	12/13
6-928247-2	2	02-A	10	5	NATURE/natur	UL94V-2	B	D	12/13
5-928247-2	2	02-E	10	5	GREEN/grün	UL94V-2	B	D	12/13
4-928247-2	2	02-K	10	5	YELLOW GREEN/gelbgrün	UL94V-2	B	D	12/13
3-928247-2	2	02-I	10	5	ORANGE/orange	UL94V-2	A	D	12/13
2-928247-2	2	02-O	10	5	PINK/rosa	UL94V-2	A	D	12/13
0-928247-2	2	02-B	10	5	BLACK/schwarz	UL94V-2	B	D	12/13

THIS DRAWING IS A CONTROLLED DOCUMENT.

DIMENSIONS: mm

TOLERANCES UNLESS OTHERWISE SPECIFIED: ±0.2

FINISH: PL-1, PL-2, PL-3, PL-4, PL-5, PL-6, PL-7, PL-8, PL-9, PL-10, PL-11, PL-12, PL-13, PL-14, PL-15, PL-16, PL-17, PL-18, PL-19, PL-20, PL-21, PL-22, PL-23, PL-24, PL-25, PL-26, PL-27, PL-28, PL-29, PL-30, PL-31, PL-32, PL-33, PL-34, PL-35, PL-36, PL-37, PL-38, PL-39, PL-40, PL-41, PL-42, PL-43, PL-44, PL-45, PL-46, PL-47, PL-48, PL-49, PL-50, PL-51, PL-52, PL-53, PL-54, PL-55, PL-56, PL-57, PL-58, PL-59, PL-60, PL-61, PL-62, PL-63, PL-64, PL-65, PL-66, PL-67, PL-68, PL-69, PL-70, PL-71, PL-72, PL-73, PL-74, PL-75, PL-76, PL-77, PL-78, PL-79, PL-80, PL-81, PL-82, PL-83, PL-84, PL-85, PL-86, PL-87, PL-88, PL-89, PL-90, PL-91, PL-92, PL-93, PL-94, PL-95, PL-96, PL-97, PL-98, PL-99, PL-100, PL-101, PL-102, PL-103, PL-104, PL-105, PL-106, PL-107, PL-108, PL-109, PL-110, PL-111, PL-112, PL-113, PL-114, PL-115, PL-116, PL-117, PL-118, PL-119, PL-120, PL-121, PL-122, PL-123, PL-124, PL-125, PL-126, PL-127, PL-128, PL-129, PL-130, PL-131, PL-132, PL-133, PL-134, PL-135, PL-136, PL-137, PL-138, PL-139, PL-140, PL-141, PL-142, PL-143, PL-144, PL-145, PL-146, PL-147, PL-148, PL-149, PL-150, PL-151, PL-152, PL-153, PL-154, PL-155, PL-156, PL-157, PL-158, PL-159, PL-160, PL-161, PL-162, PL-163, PL-164, PL-165, PL-166, PL-167, PL-168, PL-169, PL-170, PL-171, PL-172, PL-173, PL-174, PL-175, PL-176, PL-177, PL-178, PL-179, PL-180, PL-181, PL-182, PL-183, PL-184, PL-185, PL-186, PL-187, PL-188, PL-189, PL-190, PL-191, PL-192, PL-193, PL-194, PL-195, PL-196, PL-197, PL-198, PL-199, PL-200, PL-201, PL-202, PL-203, PL-204, PL-205, PL-206, PL-207, PL-208, PL-209, PL-210, PL-211, PL-212, PL-213, PL-214, PL-215, PL-216, PL-217, PL-218, PL-219, PL-220, PL-221, PL-222, PL-223, PL-224, PL-225, PL-226, PL-227, PL-228, PL-229, PL-230, PL-231, PL-232, PL-233, PL-234, PL-235, PL-236, PL-237, PL-238, PL-239, PL-240, PL-241, PL-242, PL-243, PL-244, PL-245, PL-246, PL-247, PL-248, PL-249, PL-250, PL-251, PL-252, PL-253, PL-254, PL-255, PL-256, PL-257, PL-258, PL-259, PL-260, PL-261, PL-262, PL-263, PL-264, PL-265, PL-266, PL-267, PL-268, PL-269, PL-270, PL-271, PL-272, PL-273, PL-274, PL-275, PL-276, PL-277, PL-2


LOC	DIST	REVISIONS					
		P	LTN	DESCRIPTION	DATE	DMN	APVD
A1	-			SEE SHEET 1			

- △32 ONLY FOR 2322912-3. TOLERANCE IS +0.1/-0.15
- △33 ONLY FOR 2322912-6, 1-2364737-1. TOLERANCE IS -0.30
- △34 CANDIDATE PRELIMINARY P/N. NOT YET OFFICIAL. ONLY FOR DISCUSSION. NOT YET RELEASED FOR PRODUCTION.
- △35 DOUBLE SOURCE RESIN: ALTERNATIVE RESIN UNDER APPROVAL.

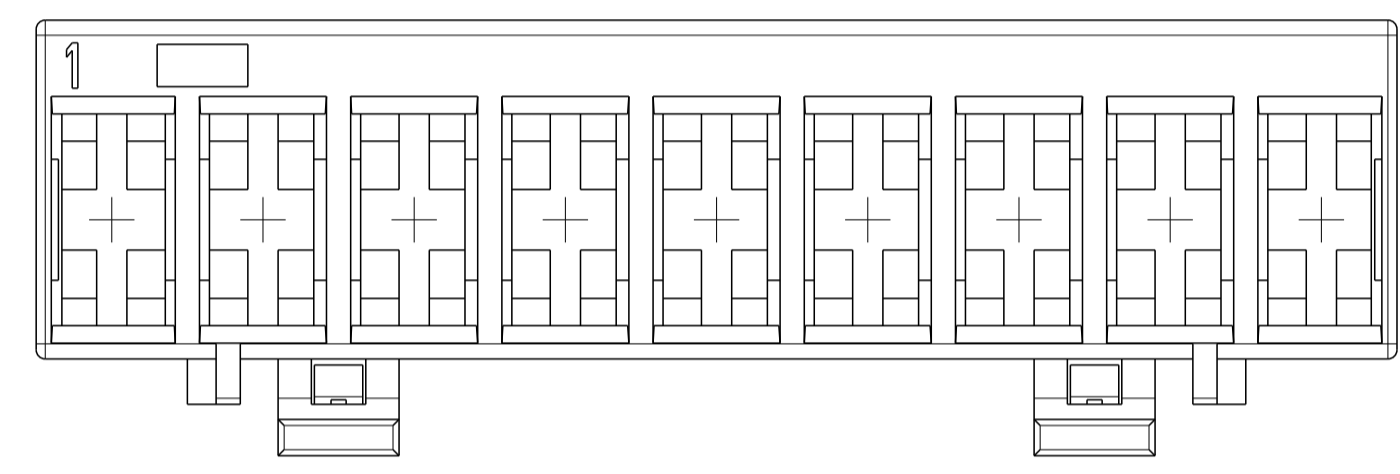
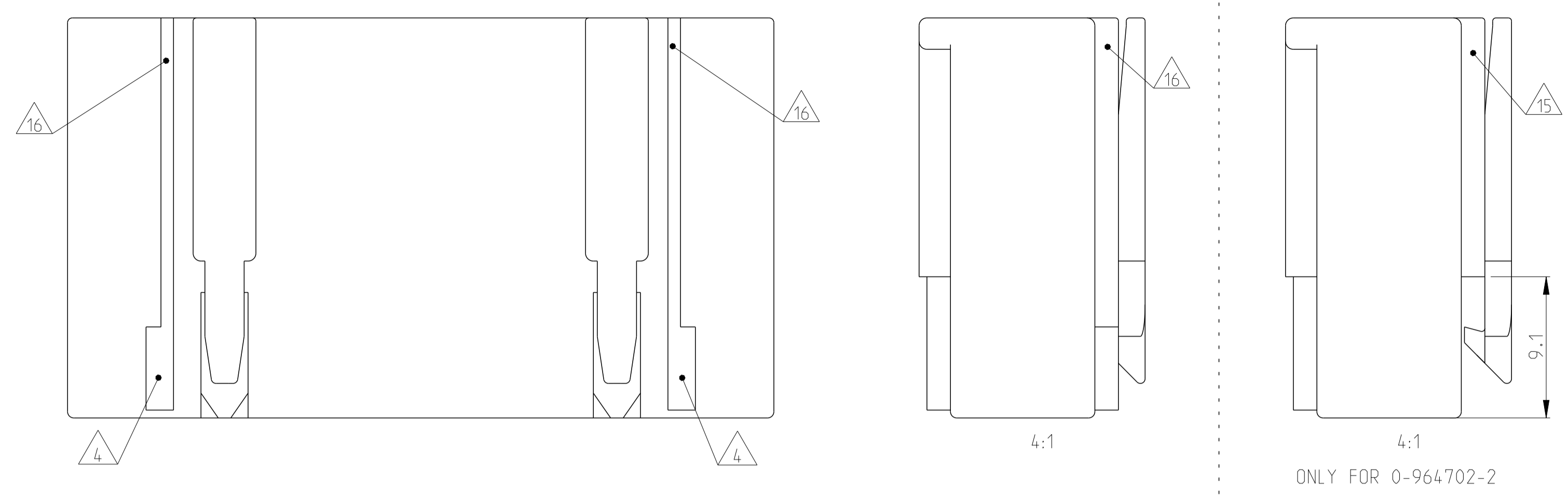
	5-1241965-5	5	05-B	25	20	NATURAL	UL94-V0 & GW EPT 750 no flame	E	B	△32 △33
△34	1-2364737-2	2	02-B	10	5	BLUE		B	2	△32 △33
△34 △35	2364737-9	9	-	45	40	BLUE		C	B	△32 △33
	1-2364737-1	11	11-B	55	50	BLUE		B	B	△32 △33
	2364737-5	5	-	25	20	BLUE		B	B	△32 △33
	2364737-2	2	02-A	10	5	BLUE	B	B	△32 △33	
	2322912-8	8	08-D	40	35	BLUE	PA66 UL94 V0 GW T 750	B	B	△32 △33
	2322912-7	7	07-C	35	30	GREY		B	B	△32 △33
	2322912-6	6	06-D	30	25	BLUE		B	B	△32 △33
	2322912-3	3	-	15	10	YELLOW		B	B	△32 △33
	2-2322912-2	2	02-A	10	5	NATURE		B	B	△32 △33
△34	1-2322912-2	2	02-G	10	5	BLUE		B	1	△32 △33
	2322912-2	2	02-C	10	5	GREY	B	B	△32 △33	
	5-1241965-4	4	-	20	15	NATURAL	PA66 UL94 V0 GW T 750 CTI350	E	B	△32 △33
	4-1241965-4	4	-	20	15	NATURAL		E	B	△32 △33
△34	3-1241965-4	4	-	20	15	NATURAL		E	1	△32 △33
	2-1241965-4	4	-	20	15	NATURAL		E	A	△32 △33
	1-1241965-4	4	04-C	20	15	NATURAL		E	A	△32 △33
	8-1241965-2	2	02-C	10	5	NATURAL		E	A	△32 △33
	4-1241965-7	7	-	35	30	NATURAL		E	A	△32 △33
	5-1241965-7	7	07-C	35	30	NATURAL		E	B	△32 △33
△34	5-1241965-5	5	05-B	25	20	NATURAL	E	1	△32 △33	
	PART NO.	POS.	RAST 5	DIM A	DIM B	COLOUR	MATERIAL	LOCKING LATCH	REV.	MATED WITH
SPECIAL VERSION: UL94 V0 & GW T 750										

2345754-1	2	02-C	10	5	NATURAL	PA66 UL94 V0	E	B	△32 △33
PART NO.	POS.	RAST 5	DIM A	DIM B	COLOUR	MATERIAL	LOCKING LATCH	REV.	MATED WITH
SPECIAL VERSION: UL94 V0									

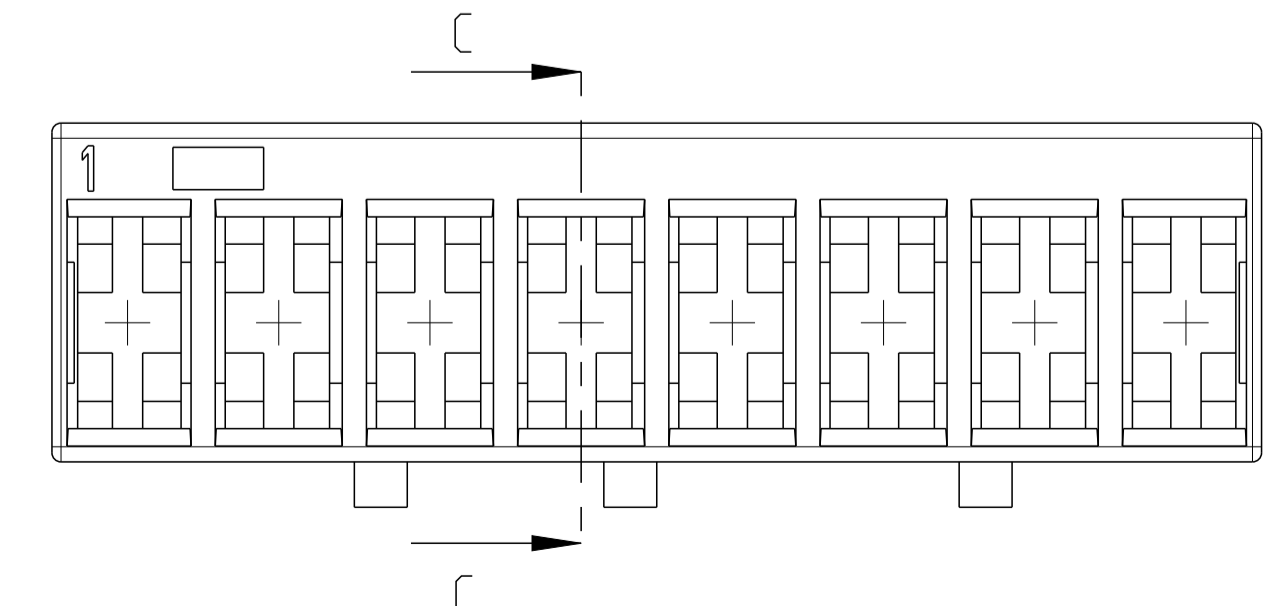
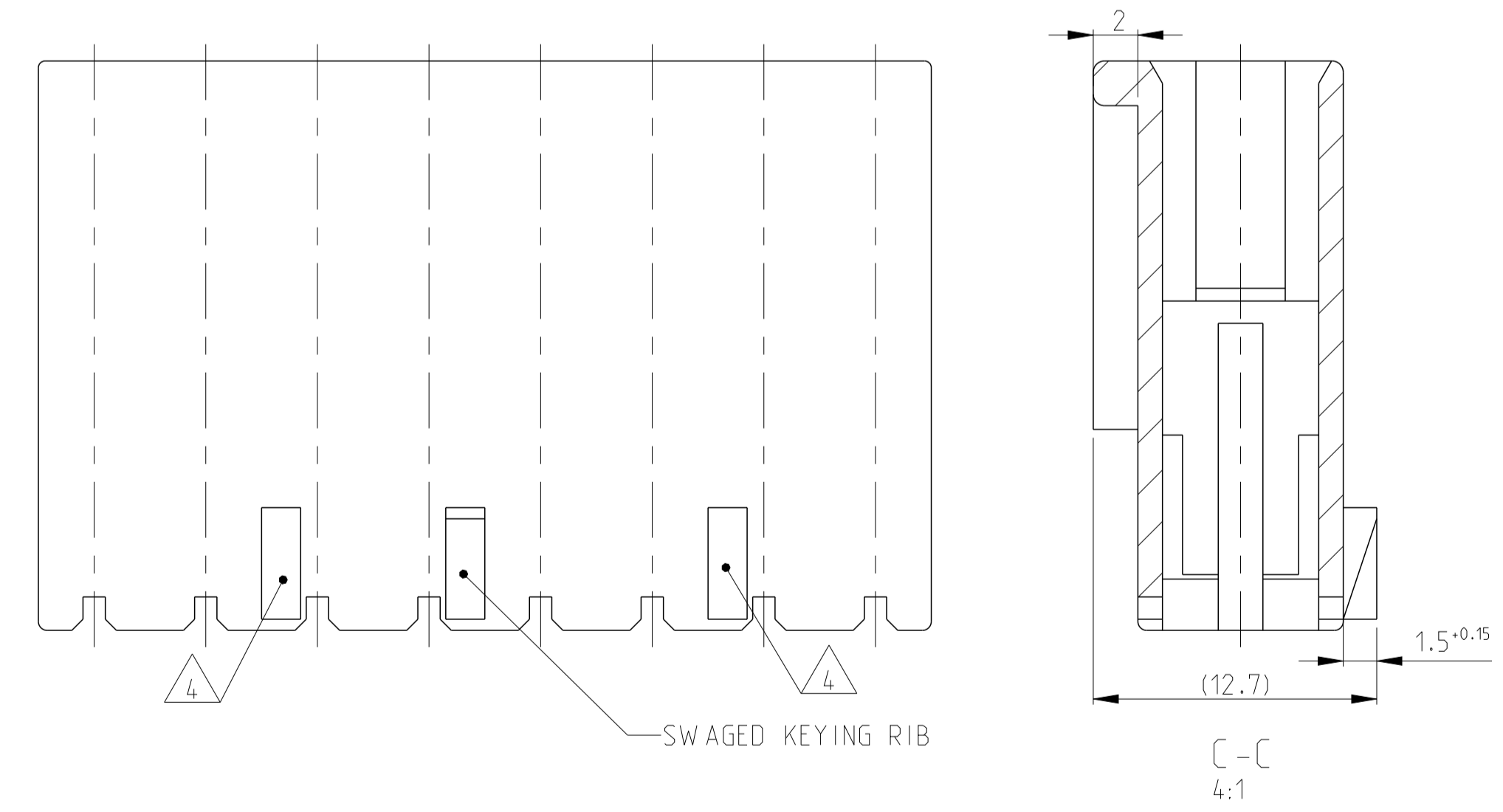
KEYING PLAN SEE SHEET 2 OF 4

THIS DRAWING IS A CONTROLLED DOCUMENT.		DMN Kishor M 07-JUL-2017	 TE Connectivity	
DIMENSIONS: mm		CHK K. Munz 07-NOV-06		
TOLERANCES UNLESS OTHERWISE SPECIFIED:		APVD Th. Klenner 07-NOV-06	NAME 2-12 POS. STANDARD TIMER HSG WITH EXTERIOR LOCKING	
0 PLC ± 1 PLC 0.1 2 PLC 0.01 3 PLC 0.001 4 PLC 0.0001 ANGLES °		PRODUCT SPEC 108-18049	SIZE A100779	
MATERIAL SEE TABLES		APPLICATION SPEC	DRAWING NO C=4241965	
		WEIGHT	RESTRICTED TO	
		Customer Drawing	SCALE 5:1 SHEET 3 OF 4 REV B49	

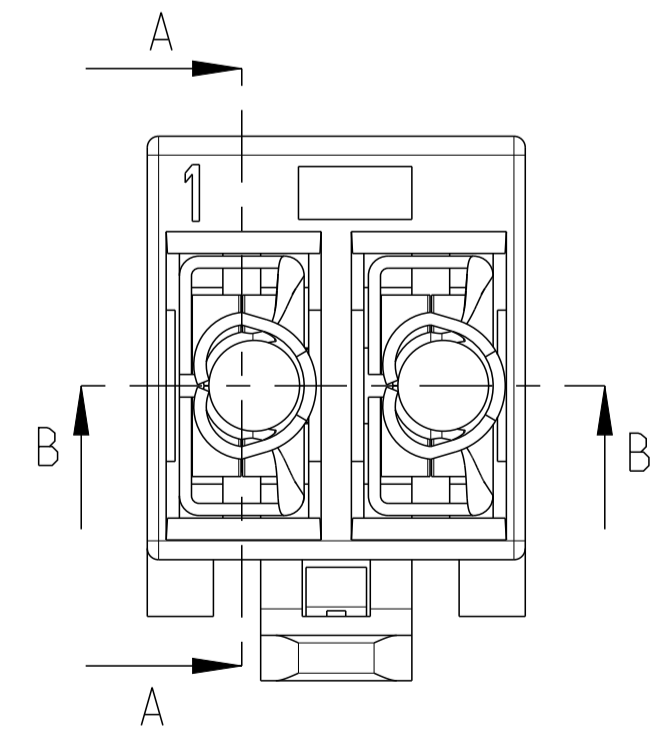
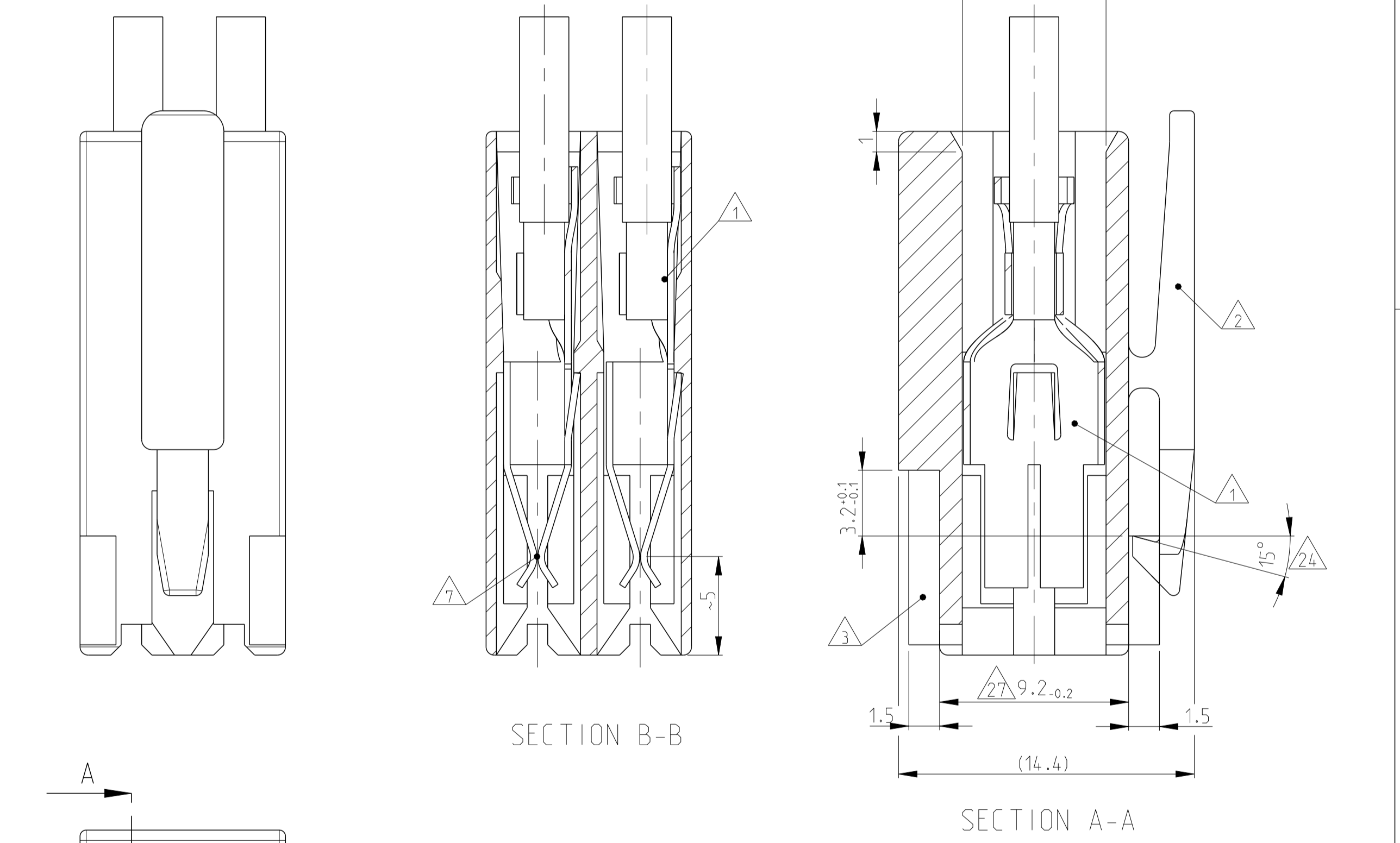
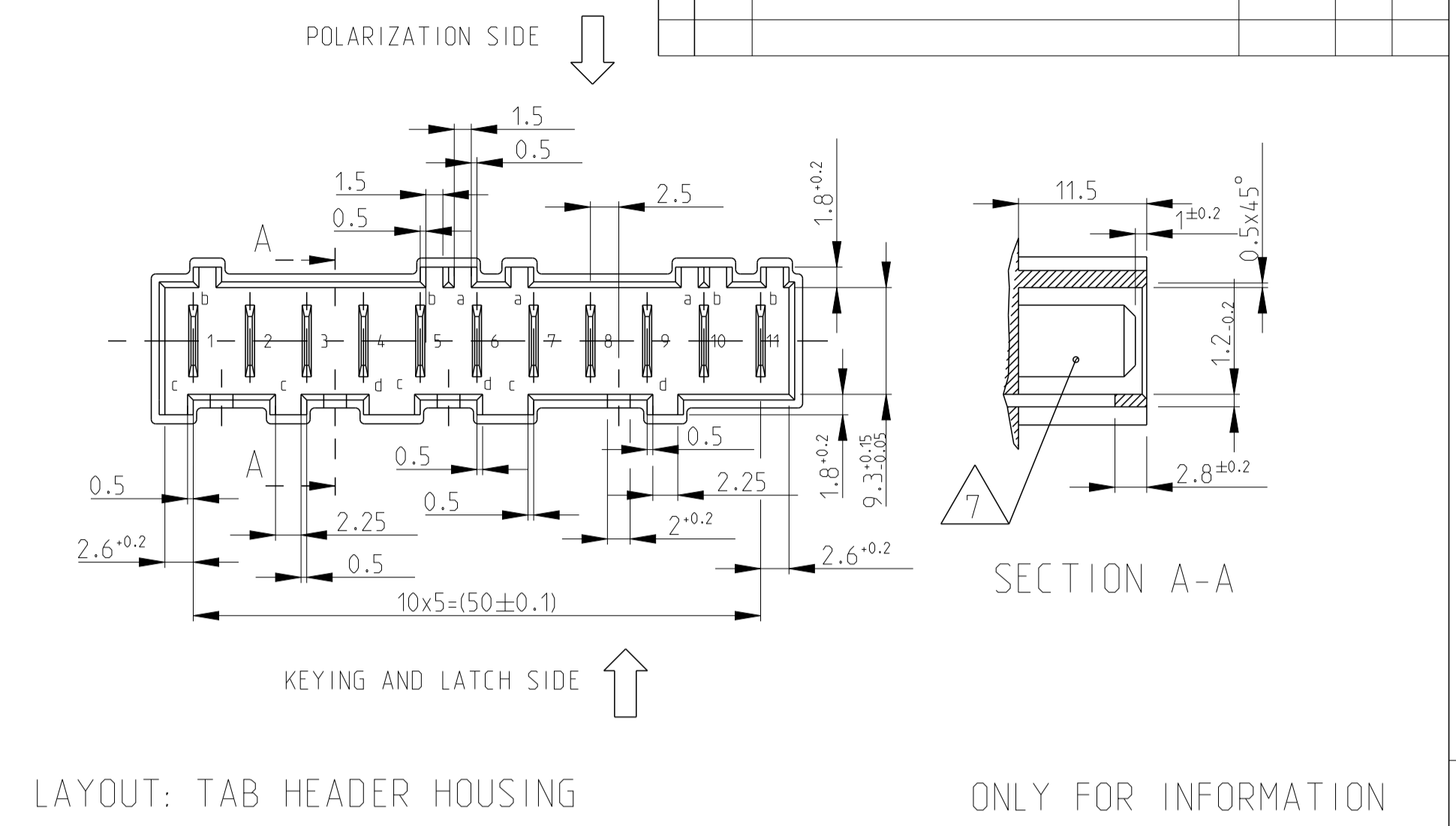
SPECIAL VERSIONS $\triangle 15$ $\triangle 16$
 9 POS STD. TIMER HSG. WITH TANGLING PROTECTION



SPECIAL VERSION $\triangle 18$
 8 POS SPECIAL STD. TIMER HSG.



LOC	DIST	REV	DESCRIPTION	DATE	OWN	APVD
A1	-	-	SEE SHEET 1	-	-	-



THIS DRAWING IS A CONTROLLED DOCUMENT.		OWN: Kishor M	18 JUL 2017		TE Connectivity
DIMENSIONS: mm		CHK: K. Munz	07-NOV-06		
TOLERANCES UNLESS OTHERWISE SPECIFIED: ±0.2		APVD: Th. Klenner	07-NOV-06	NAME: 2-12 POS. STANDARD TIMER HSG WITH EXTERIOR LOCKING	
1-PLC ±0.1		PRODUCT SPEC: 108-18049		SIZE: A1	
2-PLC ±0.05		APPLICATION SPEC: 108-18049		CAGE CODE: 00779	
3-PLC ±0.001		WEIGHT: -		DRAWING NO: 1241965	
4-PLC ±0.0001		MATERIAL: SEE TABLES		SCALE: 5:1	
ANGLES: -		FINISH: -		SHEET: 4 OF 4	
FINISH: -		Customer Drawing		REV: B4.9	

单击下面可查看定价，库存，交付和生命周期等信息

[>>TE Connectivity\(泰科\)](#)