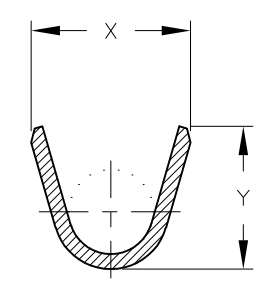
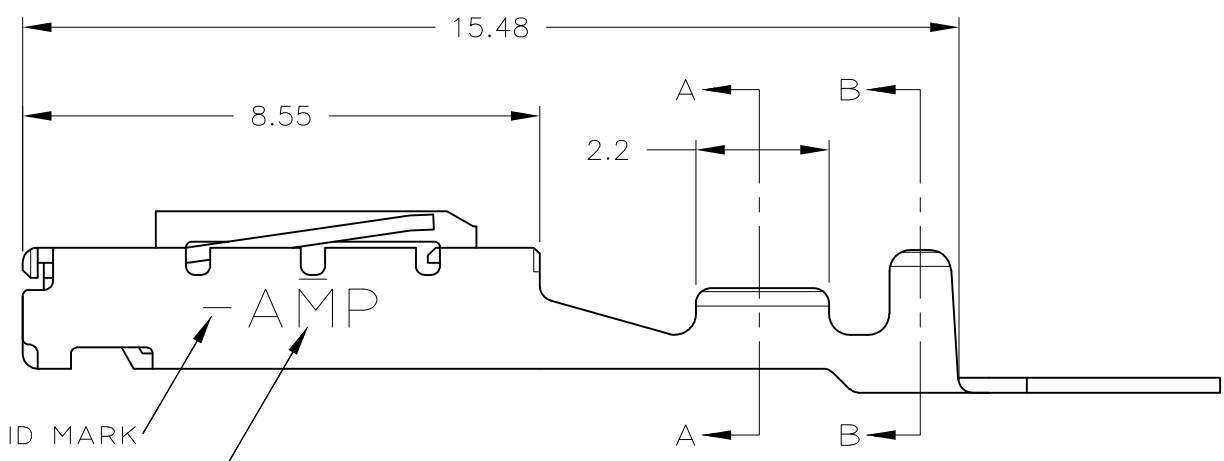
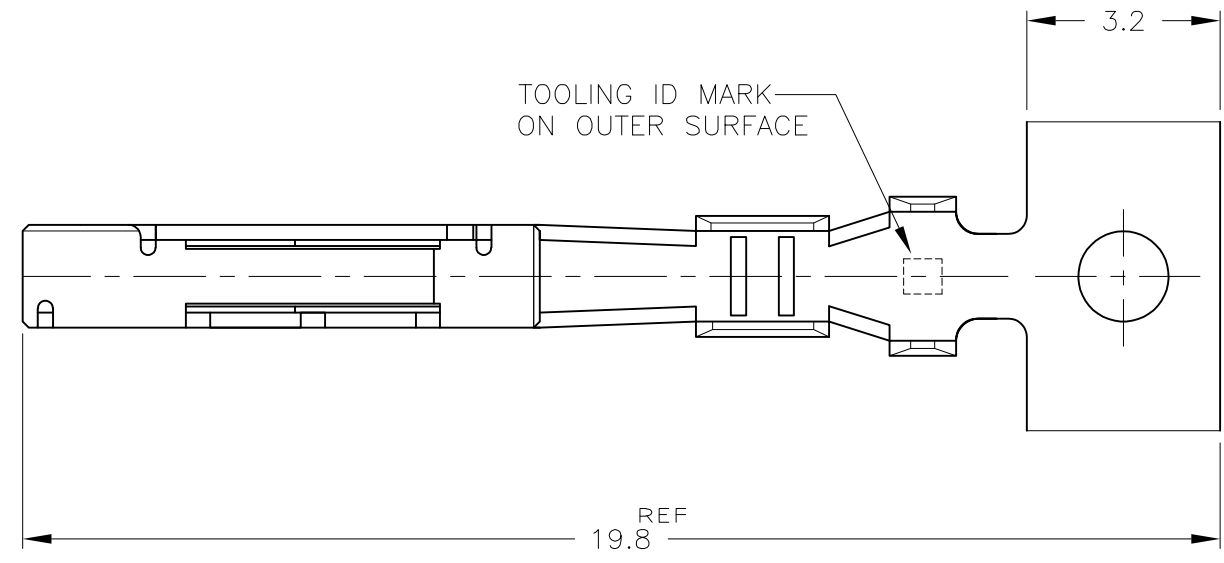
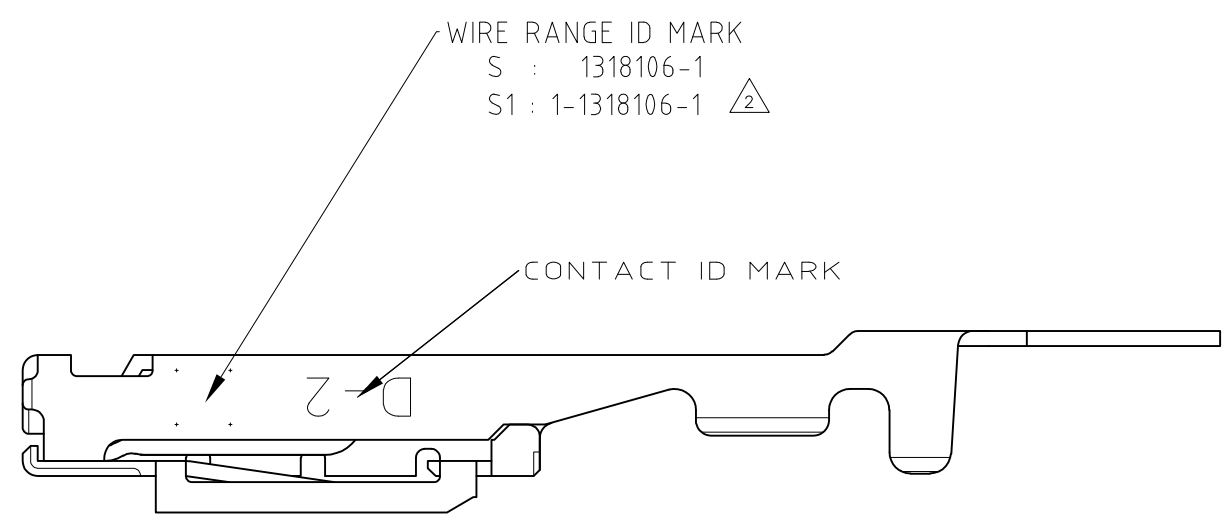
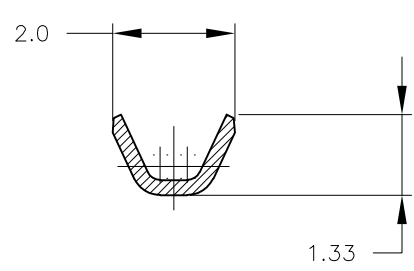


THIS DRAWING IS UNPUBLISHED. RELEASED FOR PUBLICATION  
 © COPYRIGHT 2009 Tyco Electronics Japan G.K. ALL RIGHTS RESERVED.

LOC	DIST	REVISIONS			
P	LTR	DESCRIPTION	DATE	DWN	APVD
J	-	G	REVISED PER ECR-15-011723	08AUG2015	Y.O E.T



SECT B-B



SECT A-A

1 . FINISH (CONTACT AREA) :  
 0.38 μmMIN GOLD PLATING OVER NICKEL PLATING.  
 2 . APPLICABLE WIRE FOR THIS CONTACT IS UL1051 ONLY.  
 (SEE 114-5258 AS DETAIL)

AWG #	WIRE RANGE	INSULATION DIA	Y	X	PART NO
#24	2.20~2.25				1-1318106-1
#28~#24	0.88~1.50				1318106-1

THIS DRAWING IS A CONTROLLED DOCUMENT.		DWN K.IKEDA 07DEC1998	<b>TE Connectivity</b>  DYNAMIC 2000 SERIES REC CONTACT S-SIZE				
DIMENSIONS: mm		CHK N.MATSUBARA 07DEC1998				NAME	
TOLERANCES UNLESS OTHERWISE SPECIFIED:		APVD I.HASEGAWA 07DEC1998				PRODUCT SPEC	
0 PLC ± 0.4 1 PLC ± 0.4 2 PLC ± 0.4 3 PLC ± 0.4 4 PLC ± 0.4 ANGLES ± 5°		APPLICATION SPEC					
MATERIAL CUPPER ALLOY		FINISH SEE NOTE	108-5619		RESTRICTED TO		
			114-5258		SIZE A3		
			CUSTOMER DRAWING		CAGE CODE 00779		
			SCALE 8:1		DRAWING NO C-1318106		
			SHEET 1 OF 1		REV G		

单击下面可查看定价，库存，交付和生命周期等信息

[>>TE Connectivity\(泰科\)](#)