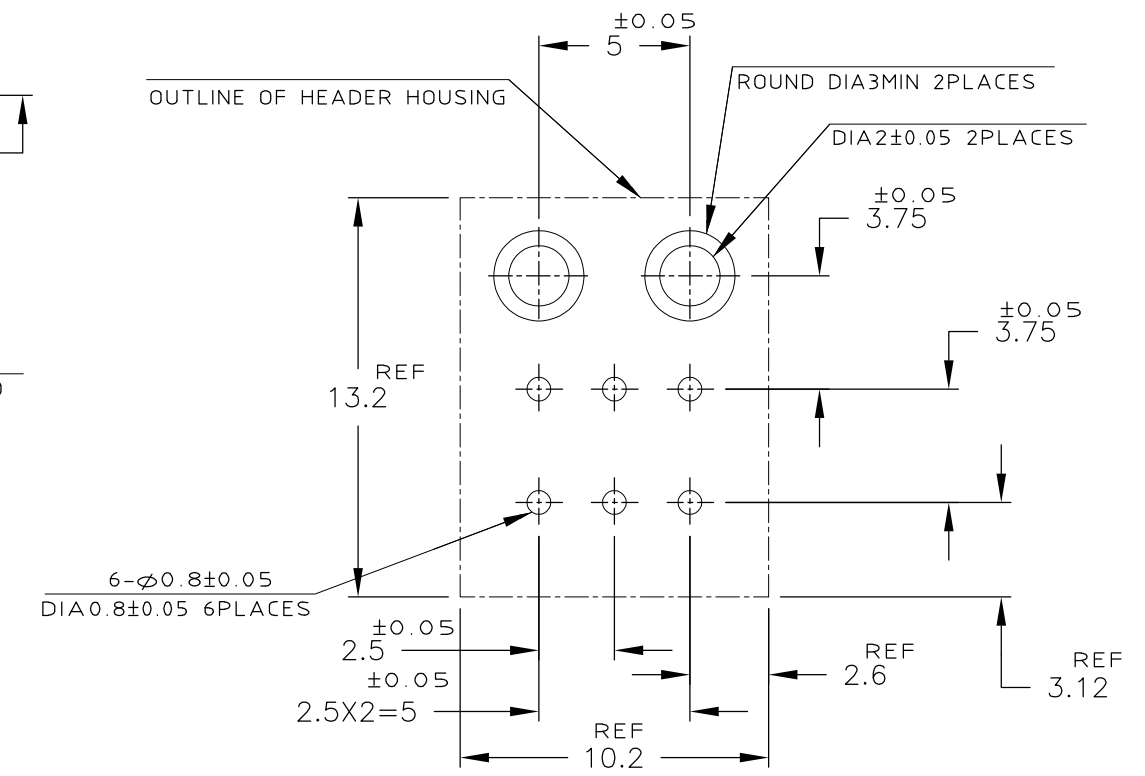
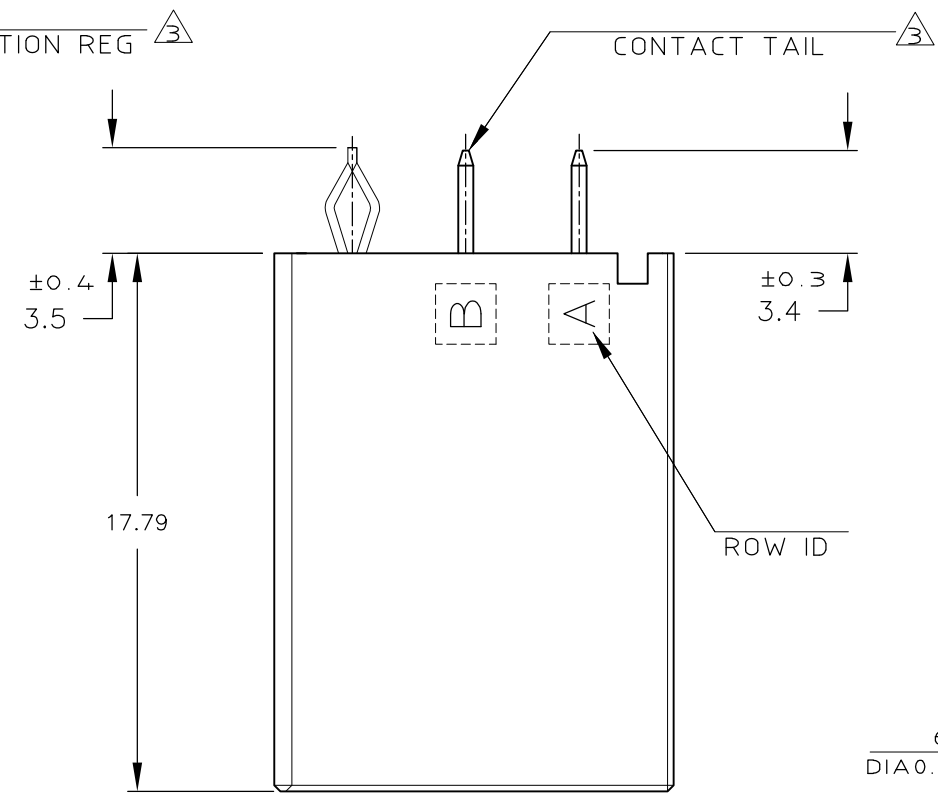
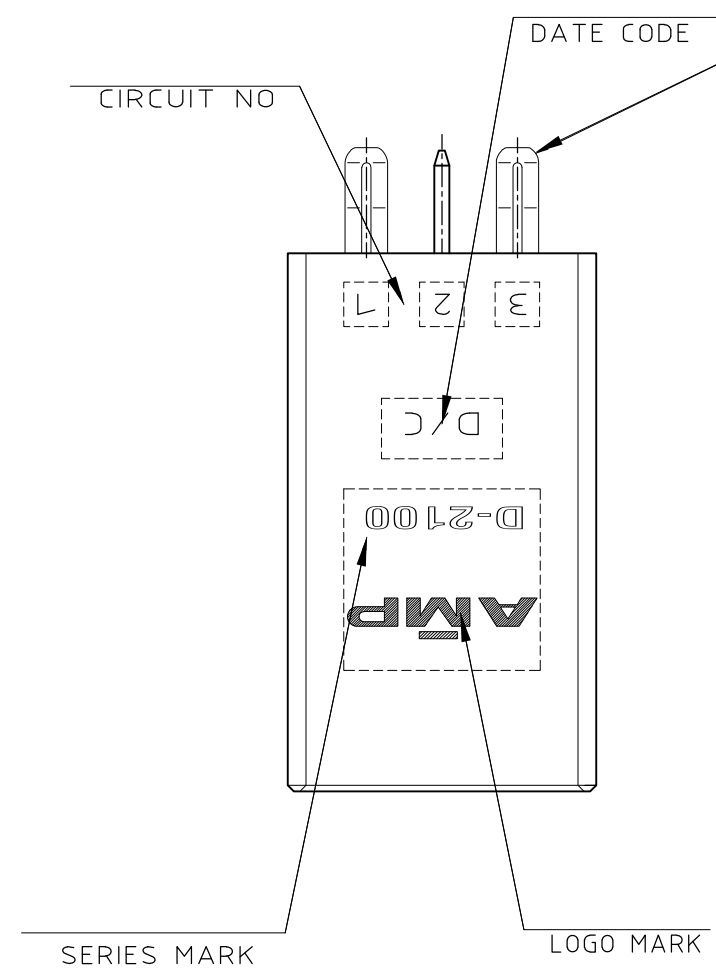
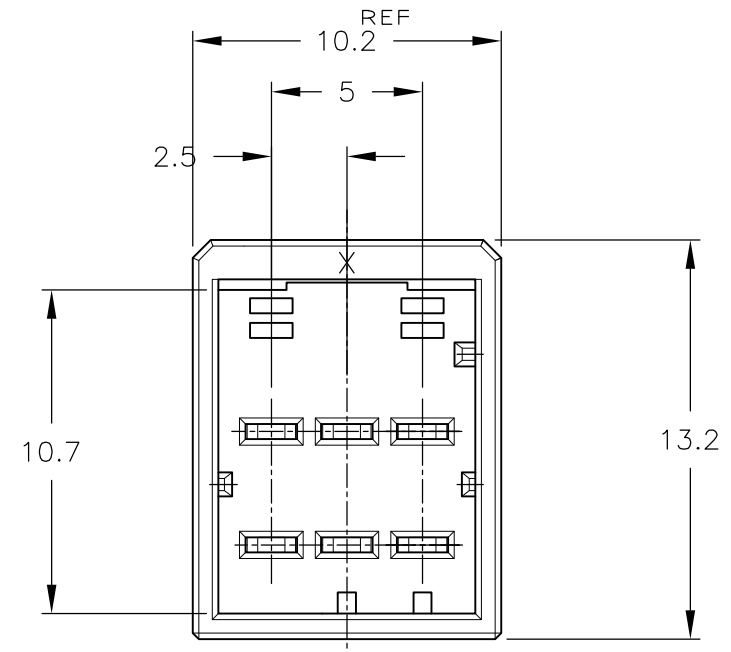


THIS DRAWING IS UNPUBLISHED. RELEASED FOR PUBLICATION .1998
 © COPYRIGHT 2011APR BY-Tyco Electronics Japan G.K. ALL RIGHTS RESERVED.

LOC	DIST	REVISIONS					
J	ZDI	P	LTR	DESCRIPTION	DATE	DWN	APVD
		C		REVISED	25APR11	MM	NY



RECOMENDED PC BOARD HOLE PATTERN(TOL:±0.05)
 PC BOARD THICKNESS:1.6±0.3
 (CONNECTOR MOUNT SIDE)



- NOTES
- MATERIAL:HOUSING:GLASS FILED THERMO PLASTIC POLYESTER(94V-0), COLOR : 1-/2- : BLACK : 9- : NATURAL
 TAB CONTACT:COPPER ALLOY
 RETENTION LEG:BRASS
 - FINISH(CONTACT AREA):0.38μMIN GOLD PLATING OVER Ni PLATING
 - FINISH(RETENTION LEG): TIN PLATED (CONTACT TAIL) OVER NICKEL

Y	NATURAL	9-1318124-2
Y	BLACK	1318124-2
X	BLACK	1318124-1
KEY	COLOR	PART NO

1318124-1
(KEYING X)

1318124-2
9-1318124-2
(KEYING Y)
SCALE:2-1

DIMENSIONS: mm		TOLERANCES UNLESS OTHERWISE SPECIFIED		DWN K.IKEDA 7/DEC/'98		TE Connectivity	
		10: ±0.3 30: >10 : ±0.35 100: >30 : ±0.4 ANGLE : ±3'		CHK N.MATSUBARA 7/DEC/'98			
MATERIAL		FINISH		APVD I.HASEGAWA 7/DEC/'98		PRODUCT SPEC	
SEE NOTES		SEE NOTES		108-5619		DOUBLE ROW HEADER ASS'Y 6P ("V"TYPE) <DYNAMIC D-2100D>	
				114-5258		RESTRICTED TO	
				WEIGHT T1		SIZE CAGE CODE DRAWING NO	
				CUSTOMER DRAWING		A3 00779 C-1318124	
						SCALE 4-1 SHEET 1 OF 1 REV C	

单击下面可查看定价，库存，交付和生命周期等信息

[>>TE Connectivity\(泰科\)](#)

[>>点击查看相关商品](#)