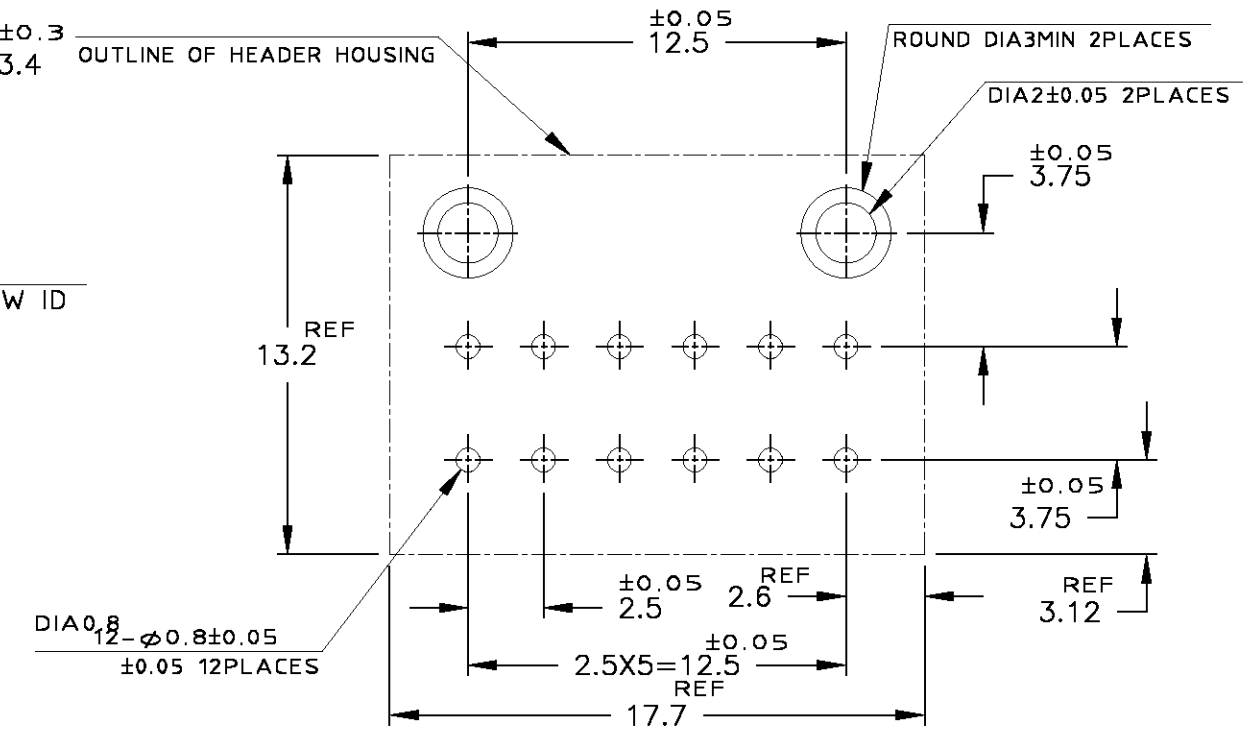
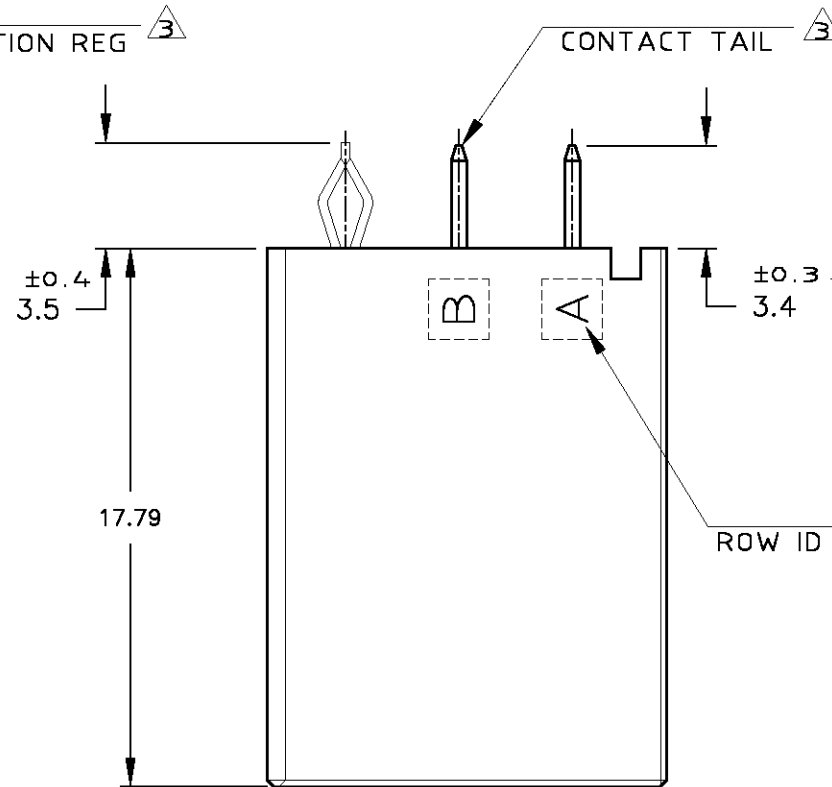
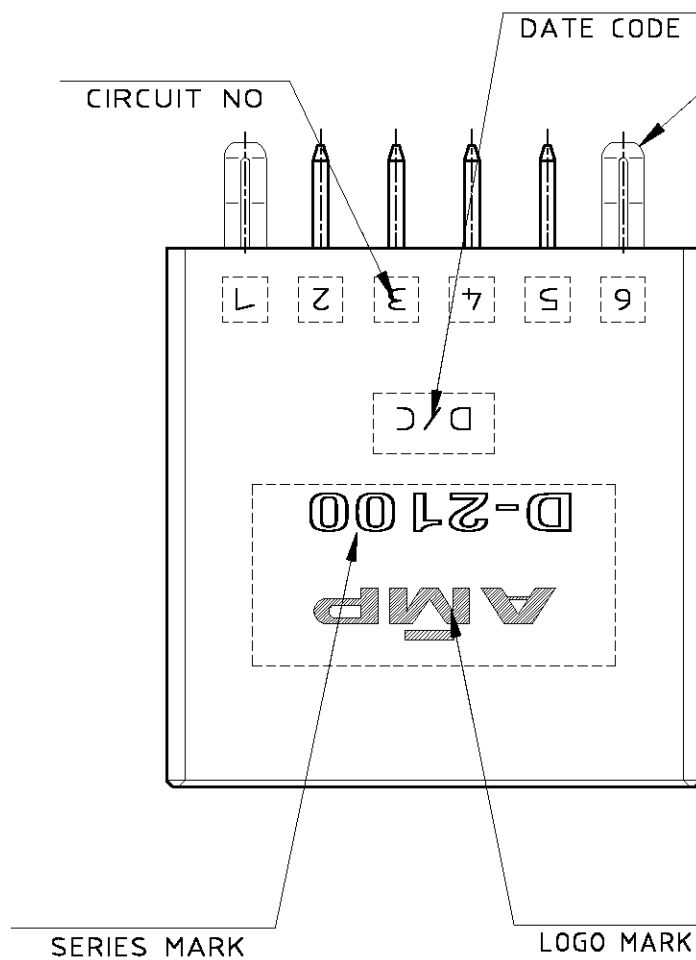
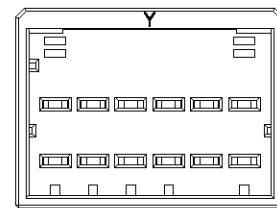


P	LTR	DESCRIPTION	DATE	DWN	APVD
	D	REVISED	25APR11	MM	NY

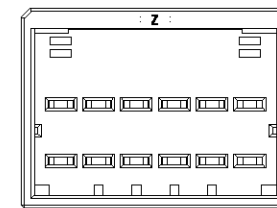
1318126-1/-2/-3 : AS SHOWN
9-1318126-2



RECOMENDED PC BOARD HOLE PATTERN(TOL:±0.05)
PC BOARD THICKNESS:1.6±0.3
(CONNECTOR MOUNT SIDE)



9-1318126-2
1318126-2
(KEYING Y)
SCALE:2-1

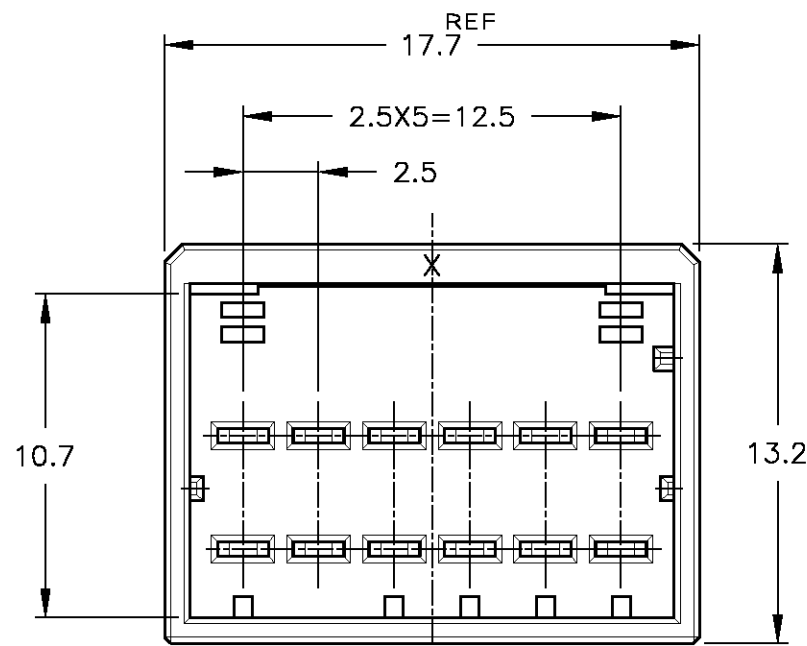


1318126-3
(KEYING Z)
SCALE:2-1

NOTES

- MATERIAL:HOUSING:GLASS FILED THERMO PLASTIC ,POLYESTER(94V-0),
COLOR: 1318126-1/-2/-3 : BLACK
9-1318126-2 : NATURAL
TAB CONTACT:COPPER ALLOY
RETENTION LEG:BRASS
- FINISH(CONTACT AREA):0.38µmMIN GOLD PLATING
OVER NI PLATING
- FINISH(RETENTION LEG): TIN PLATED
(CONTACT TAIL) OVER NICKEL

KEY	COLOR	TYPE	PART NO
Y	BLACK	SEQUENTIAL SHEET2	1-1318126-2
X	BLACK	SEQUENTIAL SHEET2	1-1318126-1
Z	BLACK	NORMAL	1318126-3
Y	NATURAL	NORMAL	9-1318126-2
Y	BLACK	NORMAL	1318126-2
X	BLACK	NORMAL	1318126-1

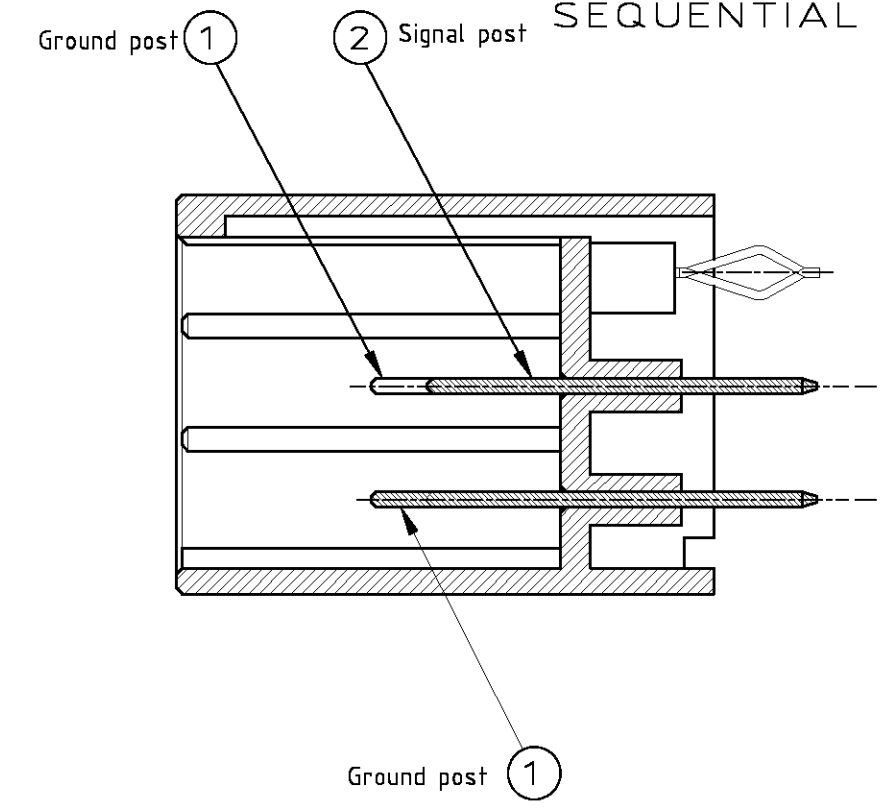
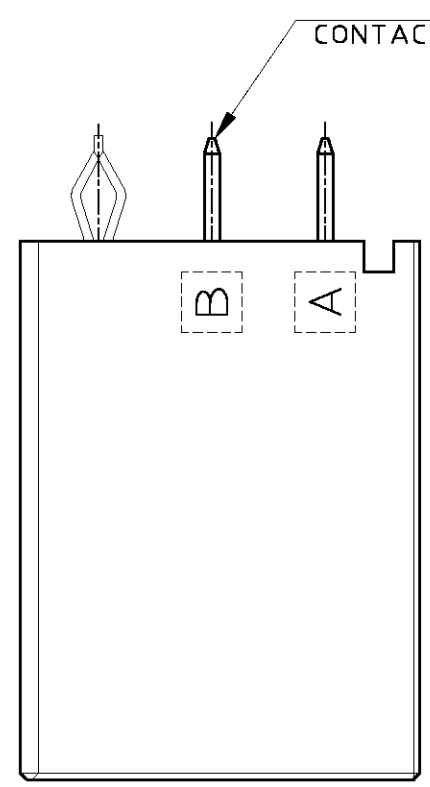
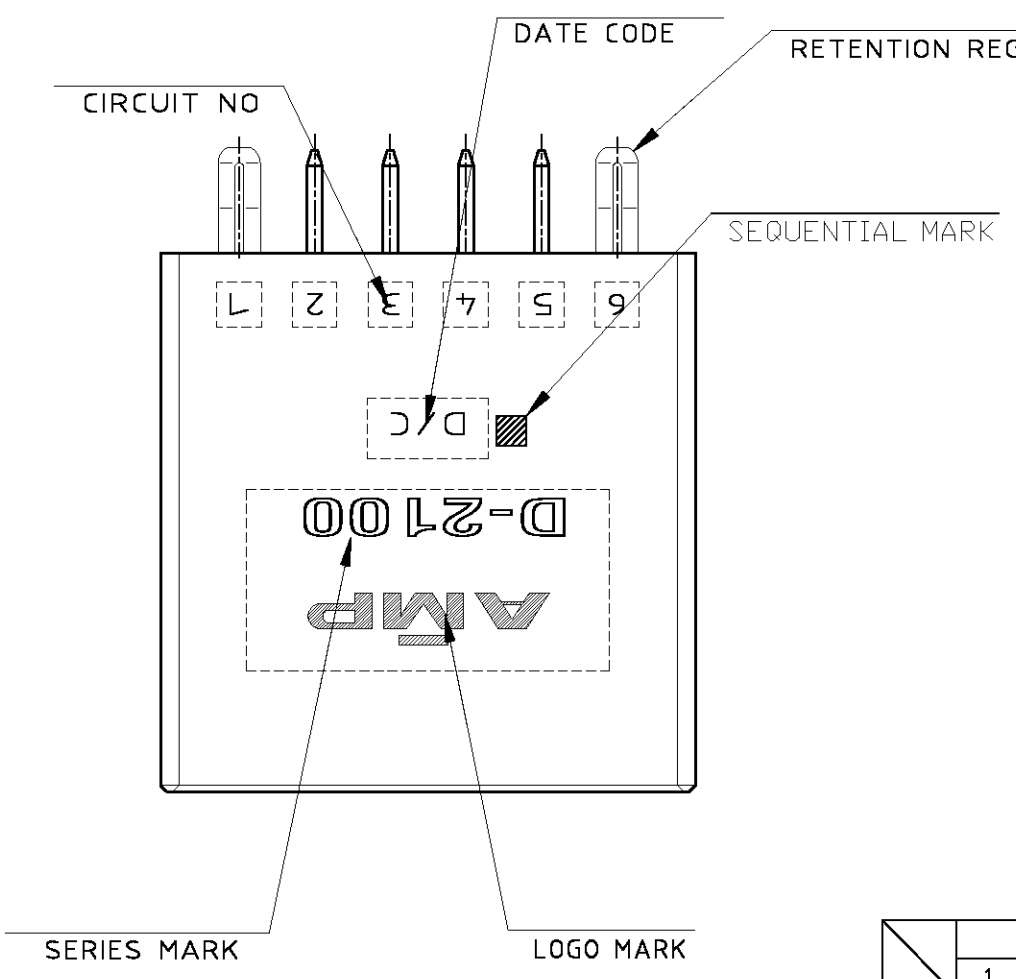


1318126-1
(KEYING X)

DIMENSIONS: mm		TOLERANCES UNLESS OTHERWISE SPECIFIED		DWN K.IKEDA 7/DEC/'98 CHK N.MATSUBARA 7/DEC/'98 APVD I.HASEGAWA 7/DEC/'98 PRODUCT SPEC		TE Connectivity	
100 ±0.3 300 >10 : ±0.35 1000 >30 : ±0.4 ANGLE : ±3'		108-5619 APPLICATION SPEC		114-5258 WEIGHT		DOUBLE ROW HEADER ASS'Y 12P ("V"TYPE) <DYNAMIC D-2100D>	
MATERIAL SEE NOTES		FINISH SEE NOTES		CUSTOMER DRAWING		SIZE A3	CAGE CODE 00779
						DRAWING NO C-1318126	
						RESTRICTED TO -	
						SCALE 4-1	SHEET 1 OF 2

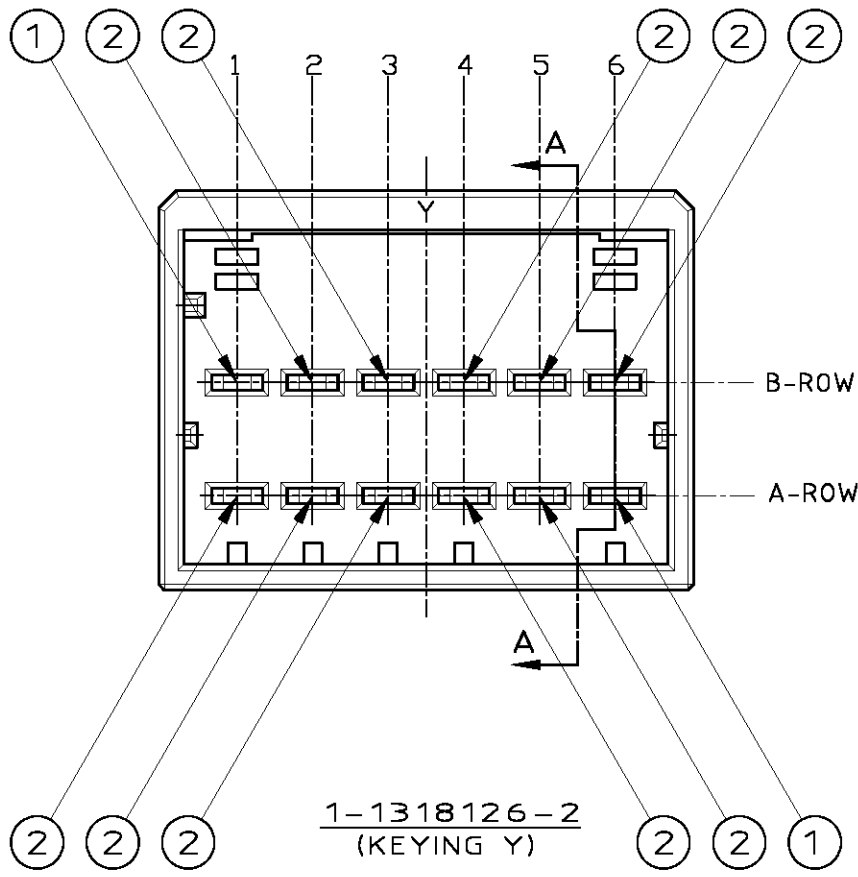
LOC		DIST		REVISIONS					
P	LTR	DESCRIPTION	ECN	DATE	DWN	APVD			
		SEE SHEET 1							

1-1318126-1,2;AS SHOWN SEQUENTIAL TYPE



		CIRCUIT NO					
		1	2	3	4	5	6
R O W	B	①	②	②	②	②	②
	A	②	②	②	②	②	①

POINT OF SEQUENTIAL
1-1318126-1,2



- NOTES
- 1. MATERIAL:HOUSING:GLASS FILED THERMO PLASTIC ,POLYESTER(94V-0),COLOR:BLACK
TAB CONTACT:COPPER ALLOY
RETENTION LEG:BRASS
 - 2. FINISH(CONTACT AREA):0.38μmMIN GOLD PLATING OVER Ni PLATING
 - 3. FINISH(RETENTION LEG): TIN PLATED (CONTACT TAIL) OVER NICKEL

DIMENSIONS: mm		TOLERANCES UNLESS OTHERWISE SPECIFIED		DWN K.IKEDA 7/DEC/98 CHK N.MATSUBARA 7/DEC/98 APVD I.HASEGAWA 7/DEC/98		TE Connectivity	
		100 ±0.3 300 >10 ±0.35 1000 >30 ±0.4 ANGLE: ±3°		PRODUCT SPEC 108-5619		NAME DOUBLE ROW HEADER ASS'Y 12P ("V"TYPE) <DYNAMIC D-2100D>	
MATERIAL SEE NOTES		FINISH SEE NOTES		APPLICATION SPEC 114-5258		DRAWING NO C-1318126	
				WEIGHT T1		RESTRICTED TO -	
CUSTOMER DRAWING				SCALE 4-1		SHEET 2 OF 2	

单击下面可查看定价，库存，交付和生命周期等信息

[>>TE Connectivity\(泰科\)](#)

[>>点击查看相关商品](#)