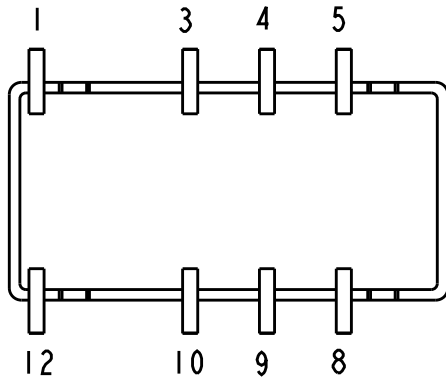
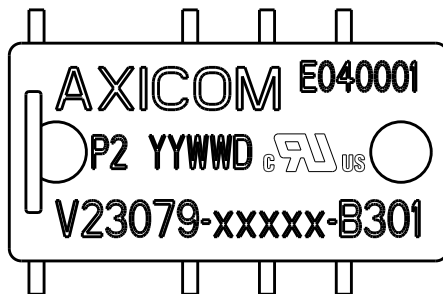
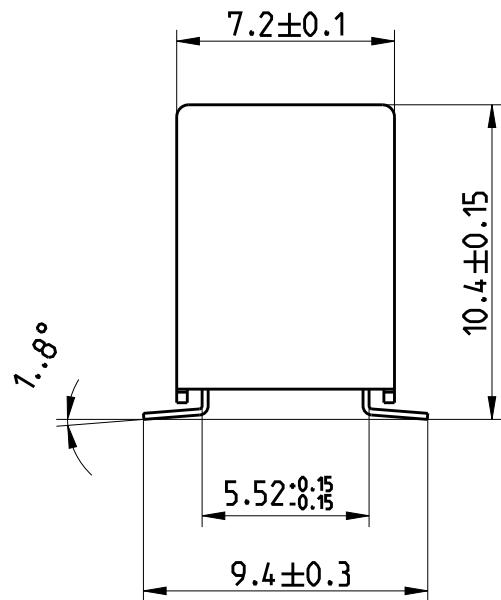
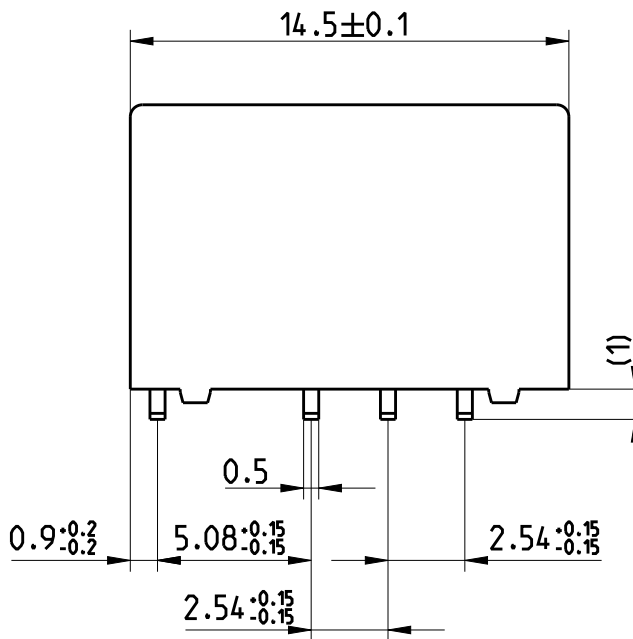


LOC	DIST	REVISIONS					
HJ	-	P	LTR	DESCRIPTION	DATE	DWN	APVD
		C3		ECR-16-015097	25-Oct-16	JK	PH



Relay - bottom view



xxxxx = Relay type
YYWWD = Date code

DRAWING ALIAS C23303-A079-A004

2006
RELEASED FOR PUBLICATION
ALL RIGHTS RESERVED.
THIS DRAWING IS UNPUBLISHED.
COPYRIGHT 2006

DIMENSIONS: mm	DWN Jan Kadlec	25-Oct-16	MATERIAL	-	FINISH	-	
	CHK Robert Kaspar	25-Oct-16	TE Connectivity				
TOLERANCES UNLESS OTHERWISE SPECIFIED: DIN 7168-m	APVD Petr Hofman	25-Oct-16					
0 PLC ±-	PRODUCT SPEC	-	NAME P2-Relay SMT W Dimensions				
1 PLC ±	APPLICATION SPEC	-					
2 PLC ±	WEIGHT	-	SIZE	A4	CAGE CODE	C-1393788-4	
3 PLC ±	CUSTOMER DRAWING	SCALE	4:	SHEET	1	OF	REV
4 PLC ±			C3				
ANGLES ±-							

单击下面可查看定价，库存，交付和生命周期等信息

[>>TE Connectivity\(泰科\)](#)