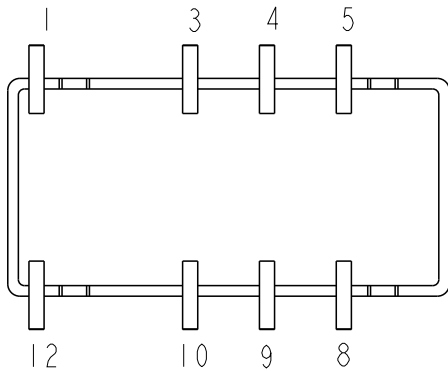
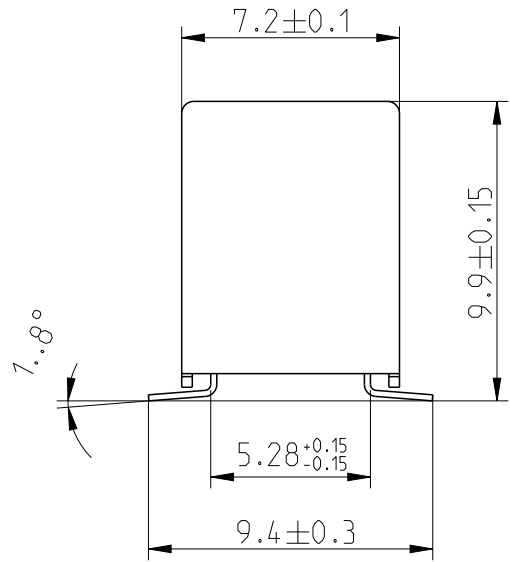
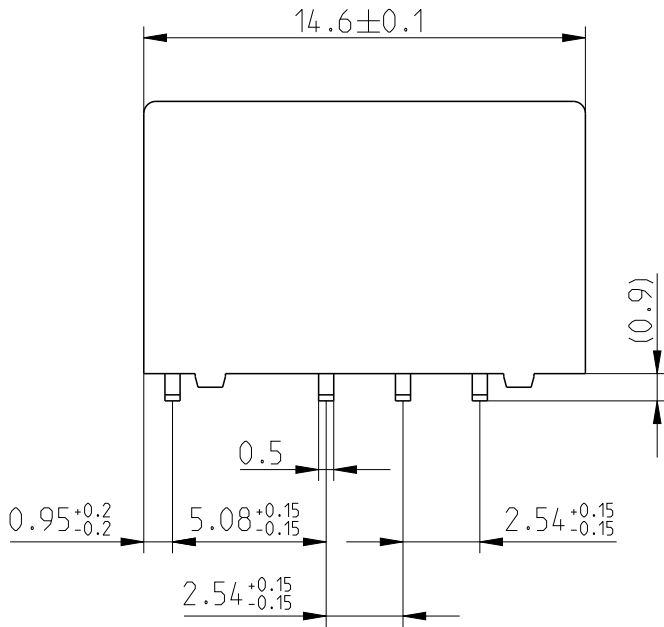


LOC	DIST	REVISIONS					
HJ	-	P	LTR	DESCRIPTION	DATE	DWN	APVD
			C4	ECR-18-011238	6.8.2018	VG	PH



Relay - bottom view



xx = Relay type
YYWWD = Date code

DRAWING ALIAS C23303-A079-A004

2006
RELEASED FOR PUBLICATION
ALL RIGHTS RESERVED.
THIS DRAWING IS UNPUBLISHED.
COPYRIGHT 2006

DIMENSIONS: mm	DWN Jan Kadlec	25-Oct-16	MATERIAL	-	FINISH	-
	CHK Robert Kaspar	25-Oct-16	TE Connectivity			
TOLERANCES UNLESS OTHERWISE SPECIFIED: DIN 7168-m	APVD Petr Hofman	25-Oct-16				
	PRODUCT SPEC	-	SIZE	A 4	CAGE CODE	C-1393789-4
0 PLC ±-	APPLICATION SPEC	-	DRAWING NO	RESTRICTED TO		
1 PLC ±	WEIGHT	-	SCALE 4:1			SHEET 1 OF 1
2 PLC ±		CUSTOMER DRAWING	REV C4			
3 PLC ±						
4 PLC ±						
ANGLES ±-						

单击下面可查看定价，库存，交付和生命周期等信息

[>>TE Connectivity\(泰科\)](#)