

4

3

2

1

THIS DRAWING IS UNPUBLISHED.

RELEASED FOR PUBLICATION

ALL RIGHTS RESERVED.

© COPYRIGHT - By TE Connectivity

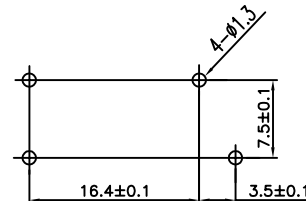
LOC
HB

DIST
-

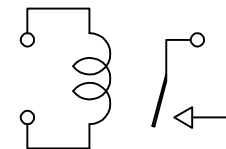
REVISIONS

P	LTR	DESCRIPTION	DATE	DWN	APVD
C1		UPDATE PAC SPEC ECO-10-0111636	07-JUL-09	HYS	YBH
E		CHANGE TE LOGO&ADD LINE IDENTIFICATION&TERMINALS CLARIFICATION ECO-12-005305	28-MAR-12	HYS	YBH

DRILLING DIAGRAM(BOTTOM VIEW)

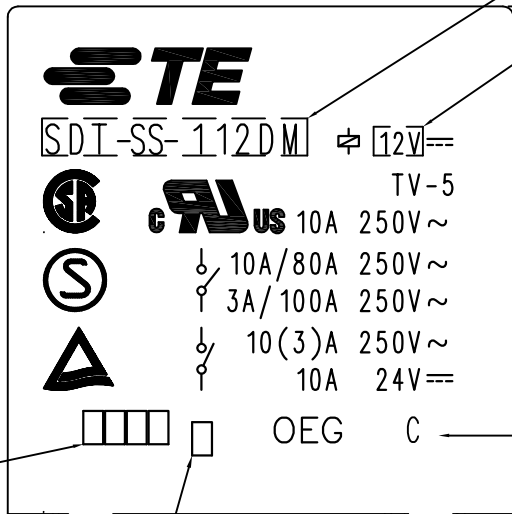


CONNECTION DIAGRAM



PART A

PART B



ⓔ

ⓑ

25±0.5

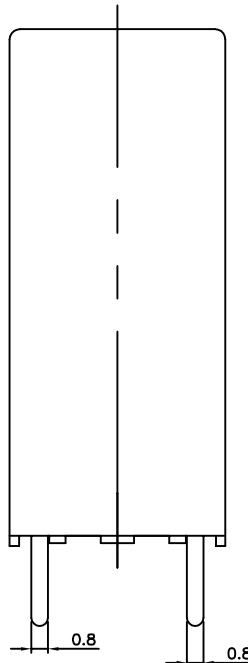
3.8±0.3

0.45

0.3

0.4

"A"



0.8

0.8

ⓑ LOT NO.

Ⓐ

ONE CHARACTER FOR LINE IDENTIFICATION ⓔ

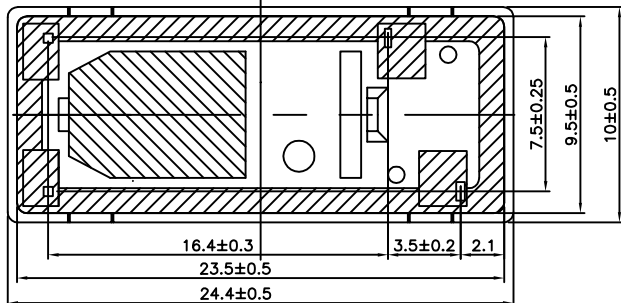


Diagram dimension	Tolerance
max. 1mm	±0.1mm
1 - 3mm	±0.2mm
min. 3mm	±0.3mm

THIS DRAWING IS A CONTROLLED DOCUMENT.		DWN H.SASAKI	TE TE Connectivity	
		CHK K.OKADO		
DIMENSIONS: mm		APVD A.NAGAI	NAME	
TOLERANCES UNLESS OTHERWISE SPECIFIED:		PRODUCT SPEC	SDT-SH-DM.000(STANDARD) CUSTOMER DRAWING	
0 PLC ± -		APPLICATION SPEC	RESTRICTED TO	
1 PLC ± -		WEIGHT	SIZE	CAGE CODE
2 PLC ± -		CUSTOMER DRAWING	A3	00779
3 PLC ± -			C=1419126-5	
4 PLC ± -		SCALE	SHEET	REV
4 PLC ANGLES ± -		4:1	1 of 2	E
MATERIAL	FINISH			

THIS DRAWING IS UNPUBLISHED.

RELEASED FOR PUBLICATION

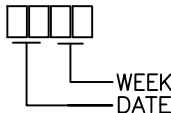
-. - .

© COPYRIGHT - BY TE Connectivity

ALL RIGHTS RESERVED.

LOC	DIST	REVISIONS					
HB	-	P	LTR	DESCRIPTION	DATE	DWN	APVD
		-		SEE SHEET 1	-	-	-

- NOTES:
 1. TERMINAL DIMENSIONS BEFORE SOLDER DIP
 2. LOT NO. SYSTEM AS FOLLOWING:



- Ⓔ 3. FOR THE TIN-PLATING OF THE PINS: +0.1mm FOR WIDTH, THICKNESS AND DIAMETER
 +0.5mm FOR LENGTH

1-1419126-0	SDT-SH-124DM	107-84016 Ⓒ1	24V	SDT-SH-124DM	d
2-1419146-6	SDT-SH-118DM	107-84016 Ⓒ1	18V	SDT-SH-118DM	c
1419126-5	SDT-SH-112DM	107-84016 Ⓒ1	12V	SDT-SH-112DM	b
1461023-1	SDT-SH-105DM	107-84016 Ⓒ1	5V	SDT-SH-105DM	a
TE PART NO	TE TYPE NAME	PACKING SPEC	PART B	PART A	TYPE

RELAY TYPE

UV RESIN	RESIN (VENT)	13
EPOXY RESIN	RESIN (CASE)	12
UEW	MAGNETIC WIRE	11
PBT	CASE	10
Cu ALLOY	HINGE SPRING	9
Cu ALLOY	COIL TERMINAL	8
Cu ALLOY	M TERMINAL	7
Cu ALLOY	MOVABLE SPRING	6
PBT	BOBBIN	5
PPS	CARD	4
STEEL	CORE	3
STEEL	ARMATURE	2
STEEL	YOKE	1
MATERIAL	DESCRIPTION	ITEM

THIS DRAWING IS A CONTROLLED DOCUMENT.		DWN H.SASAKI																
		CHK K.OKADO																
DIMENSIONS: mm		APVD A.NAGAI	NAME															
TOLERANCES UNLESS OTHERWISE SPECIFIED:		PRODUCT SPEC	SDT-SH-DM.000(STANDARD) CUSTOMER DRAWING															
<table border="0"> <tr><td>0 PLC</td><td>± -</td></tr> <tr><td>1 PLC</td><td>± -</td></tr> <tr><td>2 PLC</td><td>± -</td></tr> <tr><td>3 PLC</td><td>± -</td></tr> <tr><td>4 PLC</td><td>± -</td></tr> <tr><td>ANGLES</td><td>± -</td></tr> </table>		0 PLC	± -	1 PLC	± -	2 PLC	± -	3 PLC	± -	4 PLC	± -	ANGLES	± -	APPLICATION SPEC	SIZE	CAGE CODE	DRAWING NO	RESTRICTED TO
0 PLC	± -																	
1 PLC	± -																	
2 PLC	± -																	
3 PLC	± -																	
4 PLC	± -																	
ANGLES	± -																	
MATERIAL		WEIGHT	A3	00779	Ⓒ=1419126-5	-												
		CUSTOMER DRAWING	SCALE	SHEET	REV													
			4:1	2 OF 2	E													

单击下面可查看定价，库存，交付和生命周期等信息

[>>TE Connectivity\(泰科\)](#)