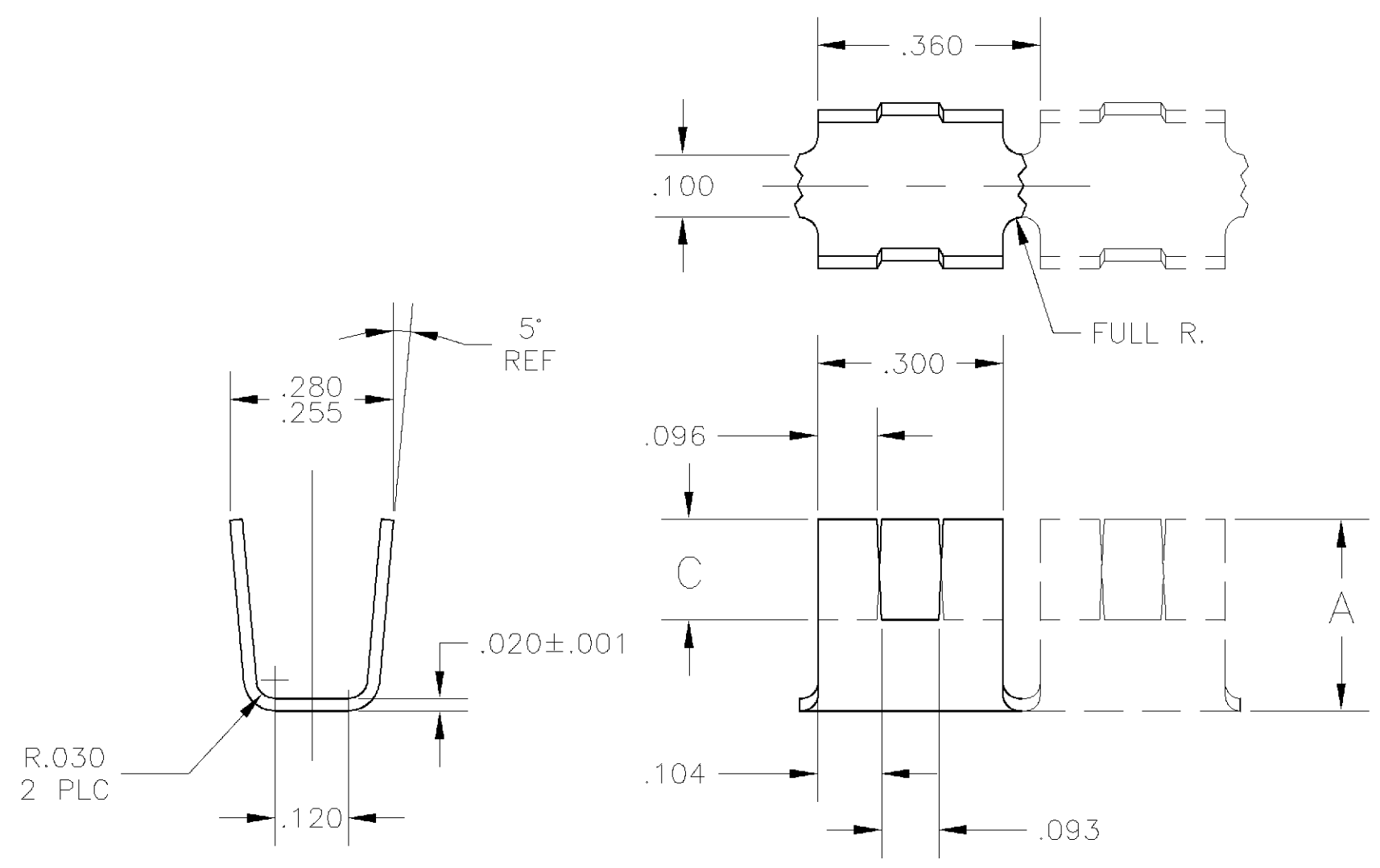


THIS DRAWING IS UNPUBLISHED. RELEASED FOR PUBLICATION  
 © COPYRIGHT BY TYCO ELECTRONICS CORPORATION. ALL RIGHTS RESERVED.

LOC	DIST	REVISIONS					
AF	50	P	LTR	DESCRIPTION	DATE	DWN	APVD
			0	REDRAWN	17JAN02	JR	GP



C01CA-W330R0	.345	.825	.198	1438254-2
C01CA-R330R0	.310	.750	.162	1438254-1
PART NO.	A ±.01	B <sup>+.000</sup> / <sub>-.005</sub>	C ±.010	TYCO PART NO.

THIS DRAWING IS A CONTROLLED DOCUMENT.		DWN	JR RUTH	17JAN2002	Tyco Electronics Corporation City, State, Zip													
DIMENSIONS: INCHES		CHK	G PORTA	17JAN02				NAME IDENTIFICATION BAND - -										
TOLERANCES UNLESS OTHERWISE SPECIFIED:		APVD	G PORTA	17JAN02	SIZE CAGE CODE DRAWING NO RESTRICTED TO A3 00779 C-1438254 -													
<table border="1"> <tr><td>0 PLC</td><td>± -</td></tr> <tr><td>1 PLC</td><td>± -</td></tr> <tr><td>2 PLC</td><td>± -</td></tr> <tr><td>3 PLC</td><td>± .010</td></tr> <tr><td>4 PLC</td><td>± -</td></tr> <tr><td>ANGLES</td><td>± -</td></tr> </table>		0 PLC	± -	1 PLC				± -	2 PLC	± -	3 PLC	± .010	4 PLC	± -	ANGLES	± -	PRODUCT SPEC	
0 PLC	± -																	
1 PLC	± -																	
2 PLC	± -																	
3 PLC	± .010																	
4 PLC	± -																	
ANGLES	± -																	
MATERIAL H 14 ALUMINUM		FINISH -		WEIGHT -														

单击下面可查看定价，库存，交付和生命周期等信息

[>>TE Connectivity\(泰科\)](#)