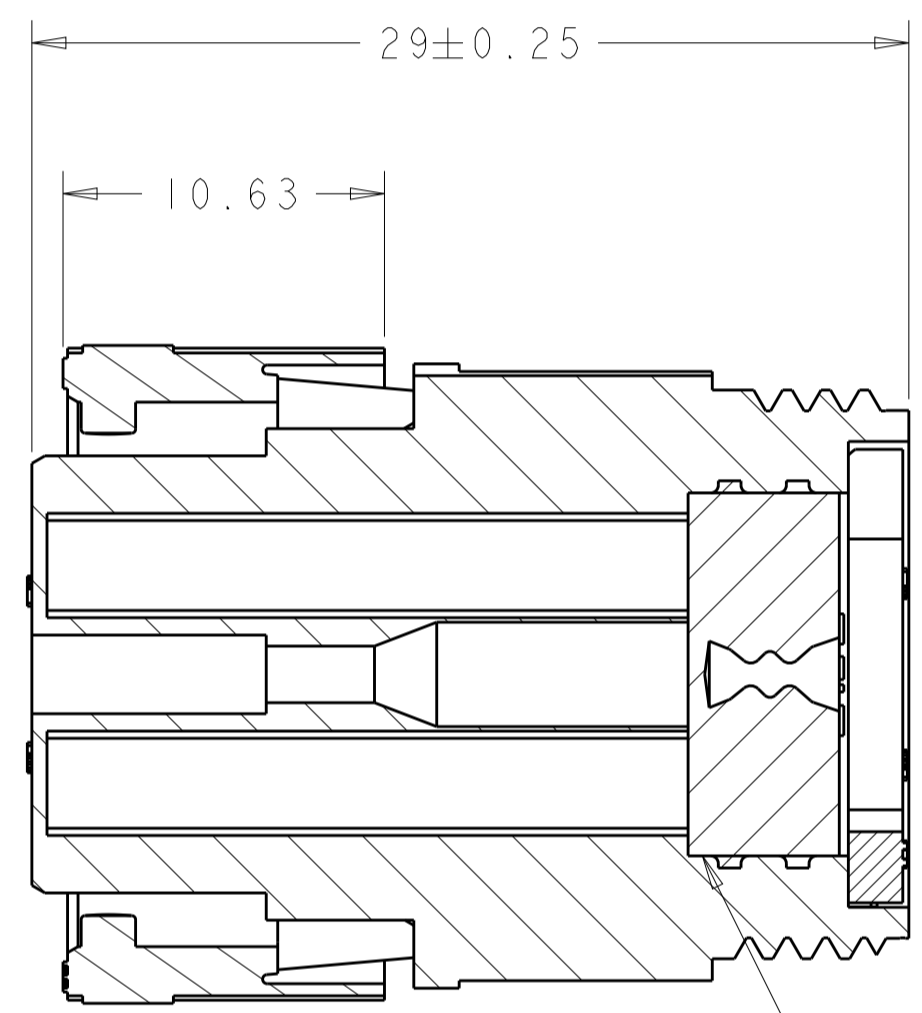
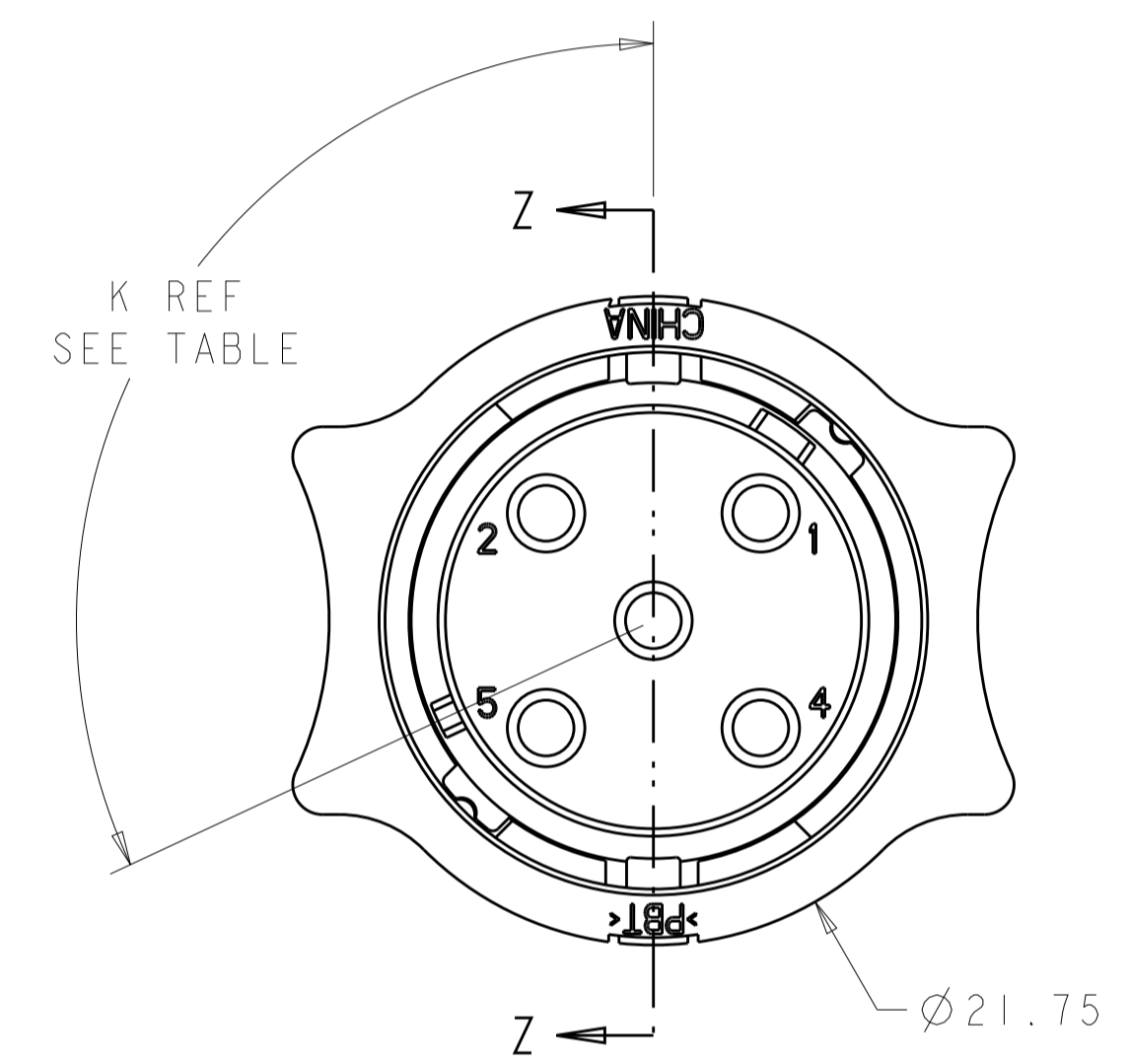
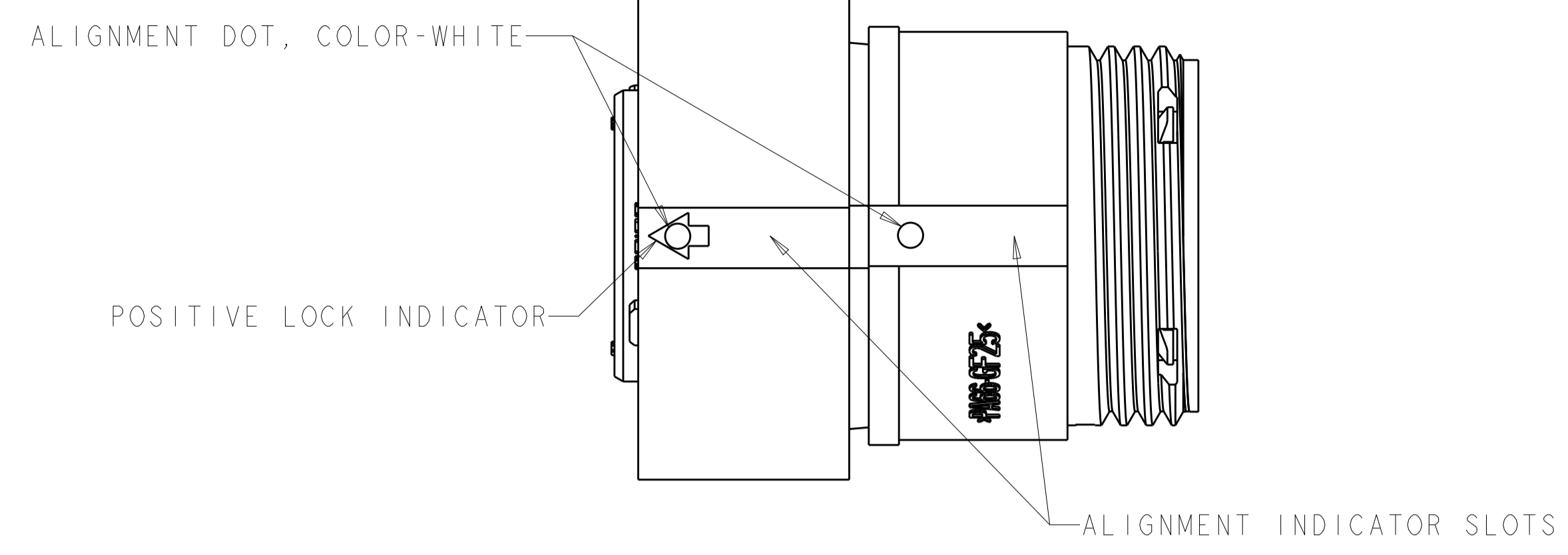
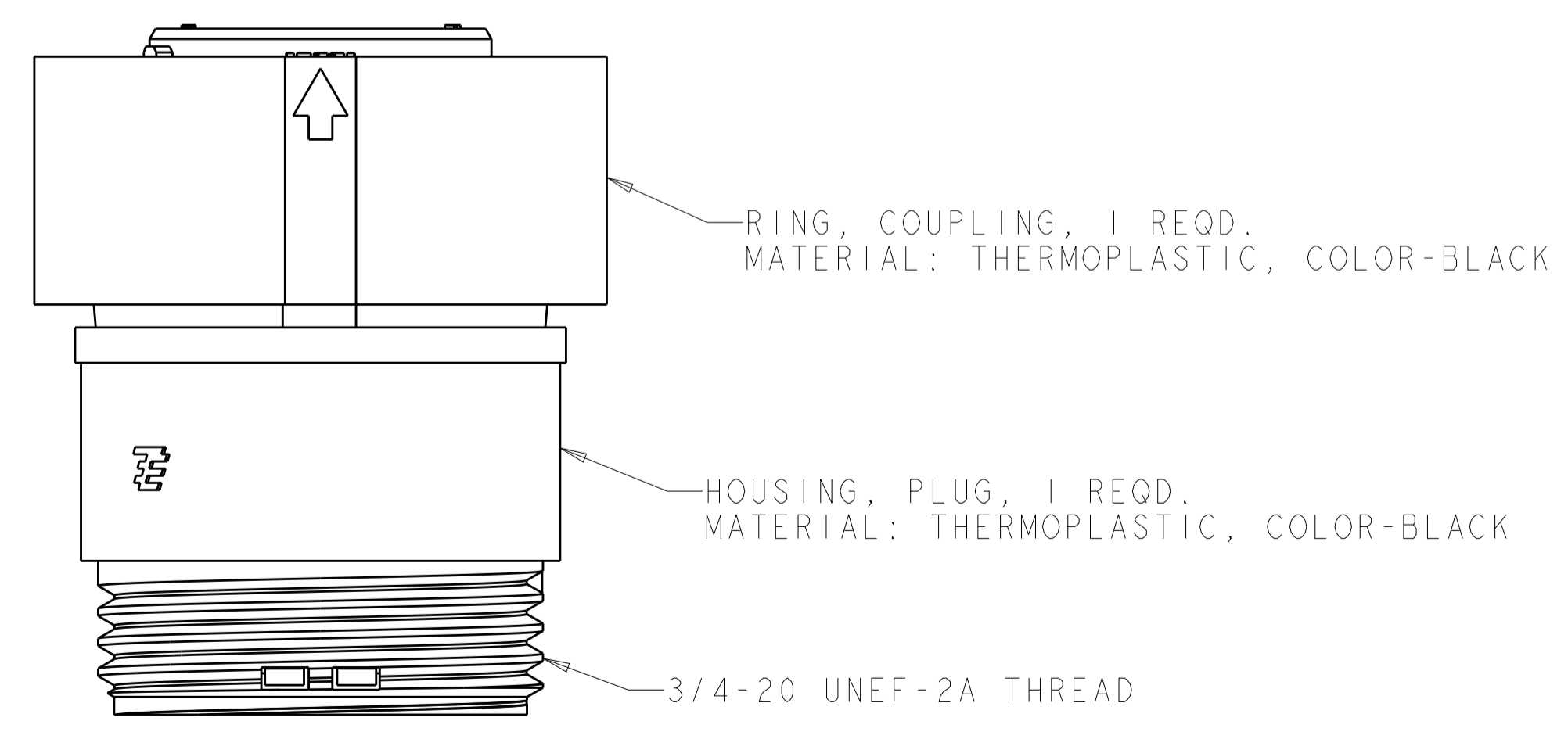
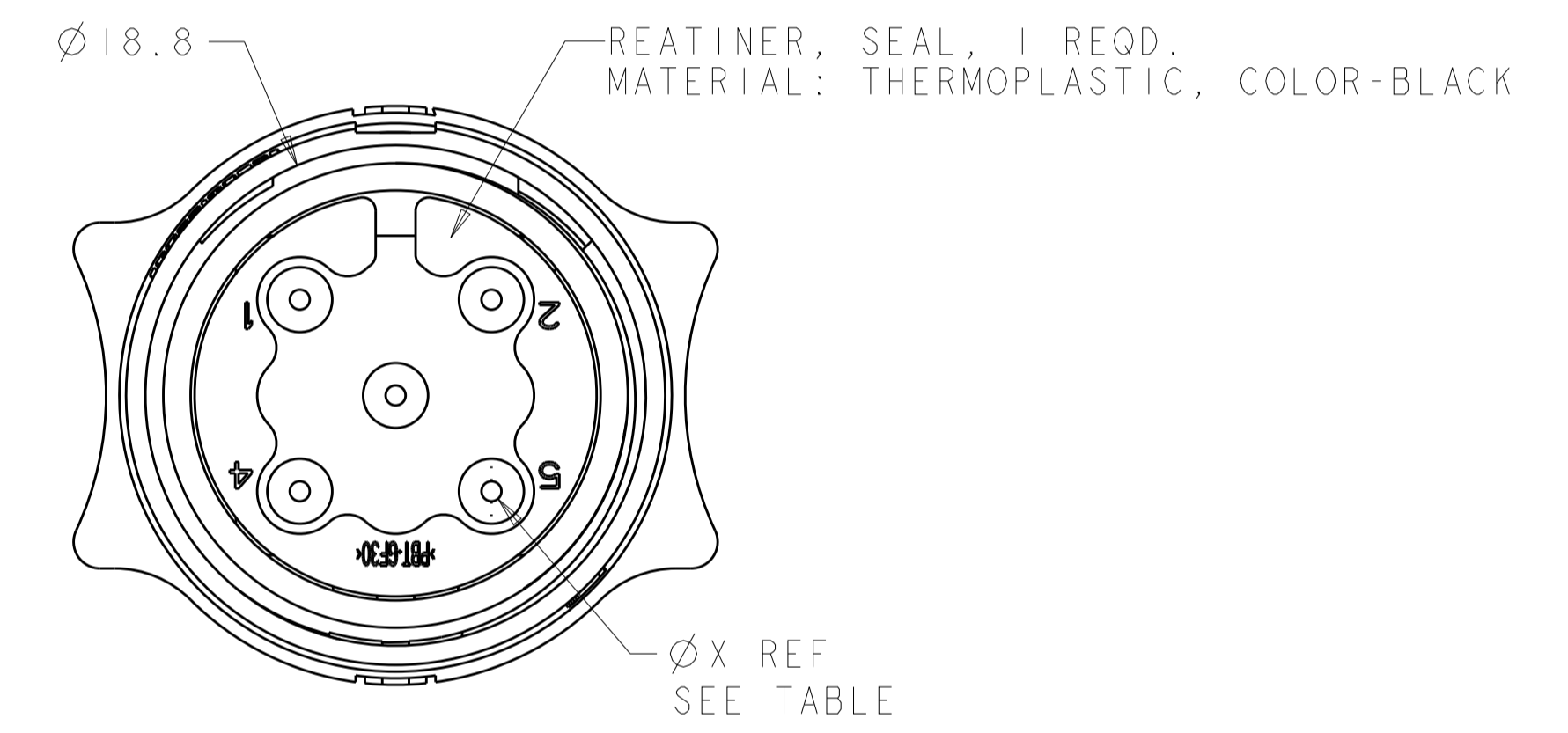


REVISIONS				
P.	LTN	DESCRIPTION	DATE	APVD
C3		REVISED PER ECO-15-010004	13JUL2015	NK MZ
D		REVISED PER ECO-16-018352	25MAR2017	RS MZ



SECTION Z-Z



OBSELETE	YELLOW	Ø0.75	135°	1445820-4
	NATURAL	Ø1.5	115°	1445820-3
OBSELETE	NATURAL	Ø1.5	135°	1445820-2
	YELLOW	Ø0.75	115°	1445820-1
	SEAL, WIRE ENTRY COLOR	Ø X REF	K REF	PART NUMBER

THIS DRAWING IS A CONTROLLED DOCUMENT.

OWN: SHANE WIESE 16OCT2001  
 CHG: G DOUTY 16OCT2001  
 APVD: H. WAKEEM 13JUN2003

**STE** TE Connectivity

DIMENSIONS: mm  
 TOLERANCES UNLESS OTHERWISE SPECIFIED:  
 0 PLC ±  
 1 PLC ±  
 2 PLC ±0.13  
 3 PLC ±  
 4 PLC ±  
 ANGLES ±

MATERIAL: SEE CALLOUT  
 FINISH: -

WEIGHT: -  
 CUSTOMER DRAWING

NAME: ASSEMBLY, PLUG, SIZE 11, 5 POSITION, SEALED, MINI CPC  
 PRODUCT SPEC: -  
 APPLICATION SPEC: -

SIZE: A1  
 CAGE CODE: 00779  
 DRAWING NO: 1445820

RESTRICTED TO: -

SCALE: 4:1 SHEET 1 OF 1 REV D

单击下面可查看定价，库存，交付和生命周期等信息

[>>TE Connectivity\(泰科\)](#)