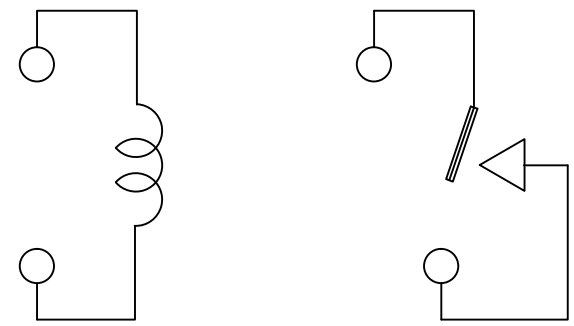
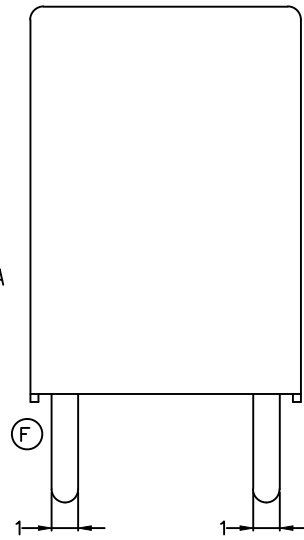
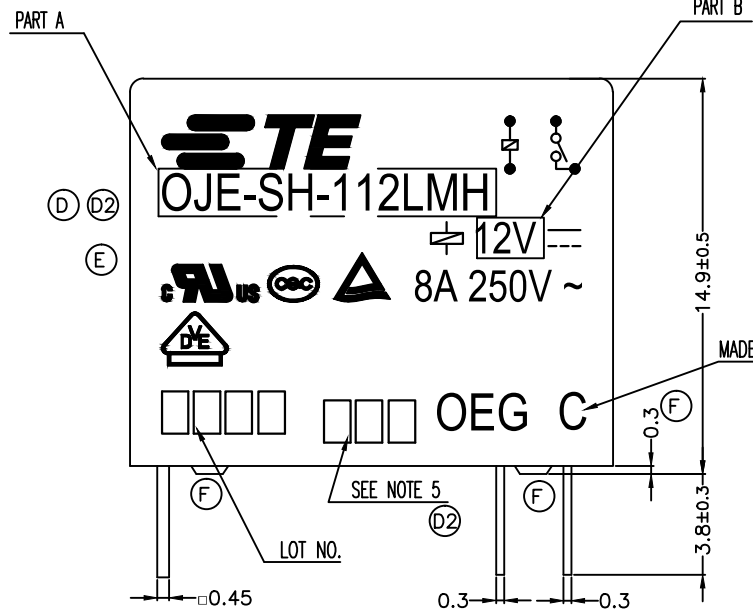
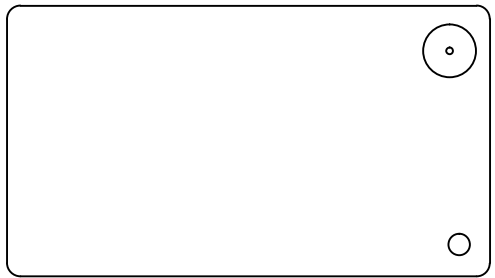


THIS DRAWING IS UNPUBLISHED. RELEASED FOR PUBLICATION
 © COPYRIGHT - By - TE CONNECTIVITY ALL RIGHTS RESERVED.

LOC	DIST	REVISIONS			
P	LTR	DESCRIPTION	DATE	DWN	APVD
HB	-	F	REMOVED THE RIB ON THE BASE TO CASE ECD-15-011310	18Feb2016	HYS CHL



CONNECTION FIGURE

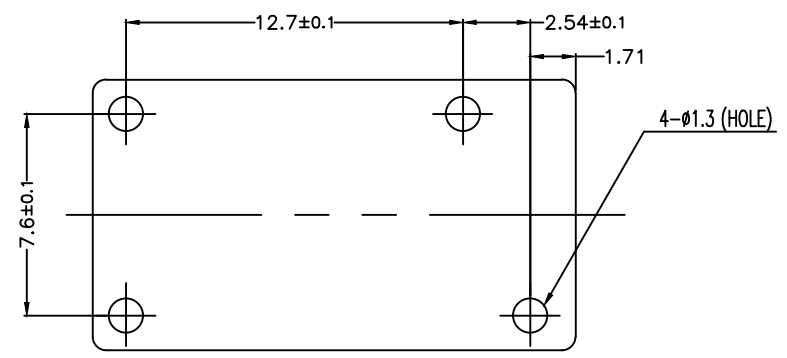
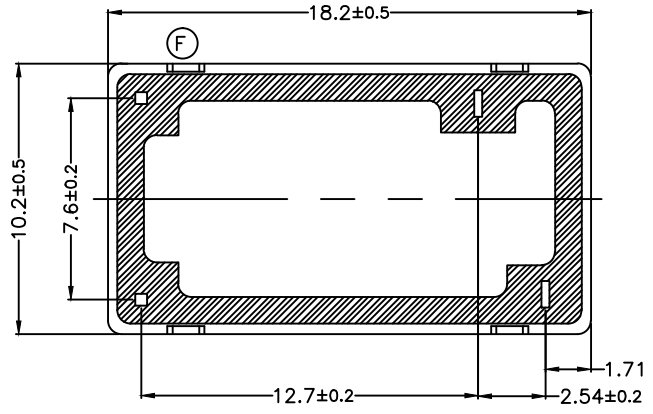


FIGURE FOR PRINTED CIRCUIT BOARD PROCESSING (BOTTOM VIEW)



THIS DRAWING IS A CONTROLLED DOCUMENT.		DWN	H.SASAKI	-	TE TE Connectivity			
DIMENSIONS: mm		CHK	Y.OIKAWA	-				
TOLERANCES UNLESS OTHERWISE SPECIFIED:		APVD	A.NAGAI	-	NAME			
0 PLC ± -		PRODUCT SPEC	SEE PRODUCT SPEC	-	OJE-SS-LMH CUSTOMER DRAWING			
1 PLC ± -		APPLICATION SPEC	-	-	SIZE	CAGE CODE	DRAWING NO	RESTRICTED TO
2 PLC ± -		MATERIAL	-	-	A3	00779	1461034	-
3 PLC ± -		FINISH	-	-	CUSTOMER DRAWING			SCALE
4 PLC ± -								5:1
ANGLES ± -								SHEET
								1 OF 2
								REV
								F

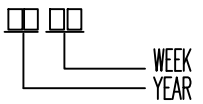
THIS DRAWING IS UNPUBLISHED. RELEASED FOR PUBLICATION - , - .
 © COPYRIGHT - By - TE CONNECTIVITY ALL RIGHTS RESERVED.

LOC	DIST	REVISIONS					
HB	-	P	LTR	DESCRIPTION	DATE	DWN	APVD
		-		SEE SHEET 1	-	-	-

7-1419128-1	OJE-SS-124LMH	107-79010	24V	OJE-SS-124LMH	e
5-1419128-0	OJE-SS-112LMH	107-79010	12V	OJE-SS-112LMH	d
5-1419144-3	OJE-SS-109LMH	107-79010	9V	OJE-SS-109LMH	c
5-1419144-1	OJE-SS-106LMH	107-79010	6V	OJE-SS-106LMH	b
1461034-2	OJE-SS-105LMH	107-79010	5V	OJE-SS-105LMH	a
PART NO	TYPE NAME	PACKAGE SPEC	PART B	PART A	TYPE

RELAY TYPE

ⓓ Ⓞ NOTES:
 1. LOT NO. SYSTEM AS FOLLOWING:



- ⓓ 2. TERMINAL DIMENSION IS BEFORE SOLDER DIP;
- ⓓ 3. FOR THE TIN-PLATING OF THE PINS:
 +0.1mm FOR WIDTH, THICKNESS AND DIAMETER.
 +0.5mm FOR LENGTH.
- ⓔ ⓓ 4. MARKING FROM INK TO LASER AND USING WELDED CONTACT

ⓓ 5. ADD LOT NO. SYSTEM AS FOLLOWING;
 I, DIGITS FOR DAY OF THE WEEK
 1...MONDAY IN THIS WEEK;
 2...TUESDAY IN THIS WEEK;

 7...SUNDAY IN THIS WEEK
 II, DIGITS FOR SHIFT OF THE DAY
 1...DAY SHIFT IN THIS DAY;
 2...NIGHT SHIFT IN THIS DAY;
 III, ONE CHARACTER DISTINGUISH THE LINE IDENTITY,
 SUCH AS: A,B,.....Z

		EPOXY RESIN	SEAL (BASE & BOBBIN)	15
		JUEW	MAGNETIC WIRE	14
94V-0		P.B.T	CASE	13
94V-0		P.B.T	BASE	12
94V-0		P.B.T	BOBBIN	11
	SOLDER DIP	C.P WIRE	COIL TERMINAL	10
94V-0		P.P.S	CARD	9
		Ag ALLOY	MOVABLE CONTACT	8
		Ag ALLOY	NO.CONTACT	7
		STEEL	HINGE SPRING	6
	SOLDER DIP	Cu ALLOY	NO.TERMINAL	5
	SOLDER DIP	Cu ALLOY	MOVABLE SPRING	4
	NIP	STEEL	CORE	3
	NIP	STEEL	ARMATURE	2
	NIP	STEEL	YOKE	1
INCOMBUSTIBILITY	TREATMENT	MATERIAL	DESCRIPTION	ITEM

THIS DRAWING IS A CONTROLLED DOCUMENT.		DWN	H.SASAKI	-
DIMENSIONS: mm		CHK	Y.OIKAWA	-
TOLERANCES UNLESS OTHERWISE SPECIFIED:		APVD	A.NAGAI	-
	0 PLC	± -	NAME	
	1 PLC	± -	-	
	2 PLC	± -	OJE-SS-LMH CUSTOMER DRAWING	
	3 PLC	± -	-	
4 PLC	± -	-		
ANGLES	± -	-		
MATERIAL	FINISH	PRODUCT SPEC	-	
-	-	APPLICATION SPEC	-	
		WEIGHT	-	RESTRICTED TO
		A3 00779 C= 1461034		-
		CUSTOMER DRAWING		SCALE 5:1 SHEET 2 OF 2 REV F



单击下面可查看定价，库存，交付和生命周期等信息

[>>TE Connectivity\(泰科\)](#)