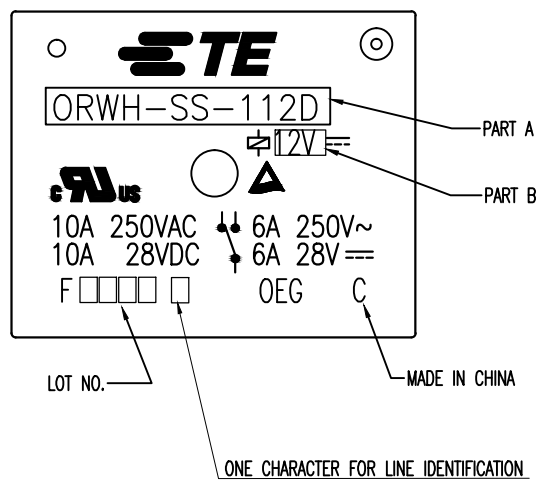


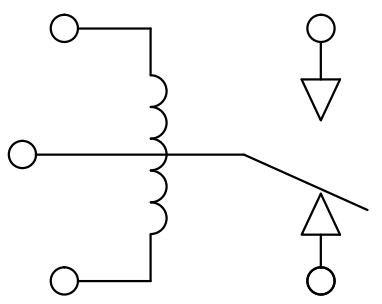
THIS DRAWING IS UNPUBLISHED. RELEASED FOR PUBLICATION
 © COPYRIGHT - By TE CONNECTIVITY ALL RIGHTS RESERVED.

LOC	DIST	REVISIONS			
P	LTR	DESCRIPTION	DATE	DWN	APVD
HB	-	RELEASE	20-Sep-15	BLL	CM.C

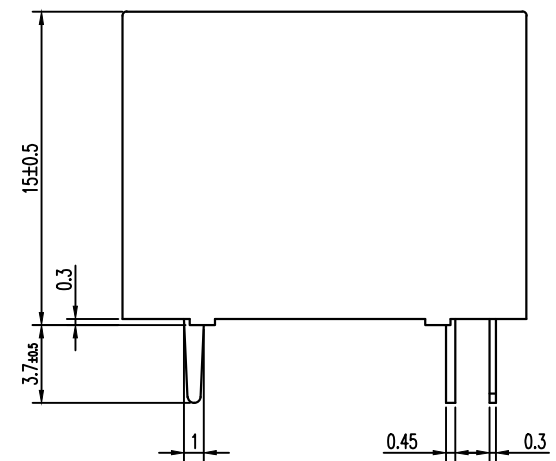
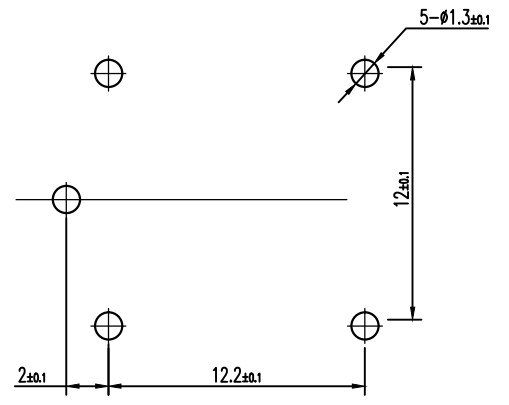
PART NO	EC TYPE NAME	PART B	PART A	ITEM
1461067-1	ORWH-SS-112D,N000	12V	ORWH-SS-112D	A
1461067-5	ORWH-SS-109D,N000	9V	ORWH-SS-109D	B
1461067-7	ORWH-SS-124D,N000	24V	ORWH-SS-124D	C



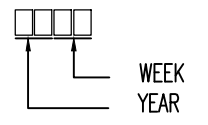
CIRCUIT DIAGRAM (BOTTOM VIEW)



DRILLING DIAGRAM (BOTTOM VIEW)



NOTE
 ①.LOT NO. SYSTEM AS FOLLOWING:



- 2.TERMINAL DIMENSION IS NOT INCLUDING SOLDER TIP.
- 3.FOR THE TIP-PLATING OF THE PINS
 +0.1mm FOR WIDTH,THICKNESS AND DIAMETER.
 +0.5mm FOR LENGTH.

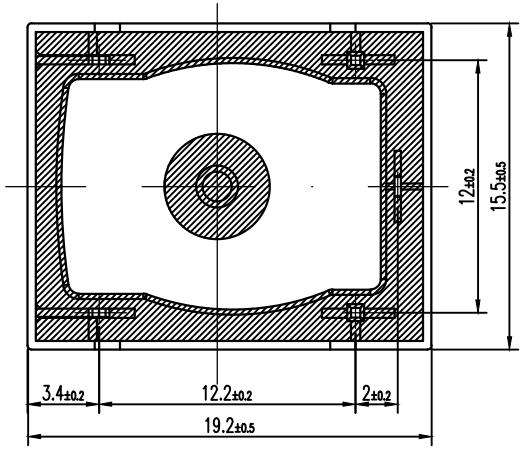


Diagram dimension	Tolerance
0.99mm max.	±0.1mm
1 - 2.99mm	±0.2mm
3mm min.	±0.3mm

THIS DRAWING IS A CONTROLLED DOCUMENT.

DIMENSIONS:	TOLERANCES UNLESS OTHERWISE SPECIFIED:
mm	
	0 PLC ± -
	1 PLC ± -
	2 PLC ± -
	3 PLC ± -
	4 PLC ± -
	ANGLES ± -
	FINISH ± -

DWN	FU BO
CHK	XN.ZHANG
APVD	CH.HSU
PRODUCT SPEC	-
APPLICATION SPEC	-
WEIGHT	-
CUSTOMER DRAWING	

INCOMBUSTIBILITY	TREATMENT	MATERIAL	DESCRIPTION	ITEM
		UV RESIN	UV SEAL	14
		EPOXY RESIN	SEAL	13
		MW79	MAGNETIC WIRE	12
		HCP	COIL TERMINAL	11
UL94 V-0		PBT	BOBBIN	10
UL94 V-0		PBT	CASE	9
		Ag ALLOY	STATIONARY CONTACT	8
		Ag ALLOY	MOVABLE CONTACT	7
		Cu ALLOY	MOVABLE SPRING	6
		Cu ALLOY	NC TERMINAL	5
		Cu ALLOY	NO TERMINAL	4
		Ni PLATED STEEL	CORE	3
		Cu PLATED STEEL	ARMATURE FORM C	2
		Ni PLATED STEEL	YOKE	1

STE TE Connectivity

NAME: ORWH-SS-D CUSTOMER DRAWING

SIZE	CAGE CODE	DRAWING NO	RESTRICTED TO
A3	00779	C=1461067	-

SCALE: 3:1 SHEET: 1 of 1 REV: A

单击下面可查看定价，库存，交付和生命周期等信息

[>>TE Connectivity\(泰科\)](#)