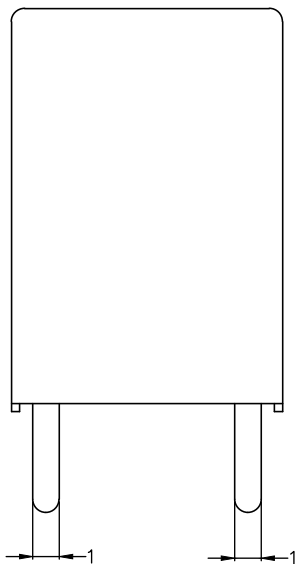
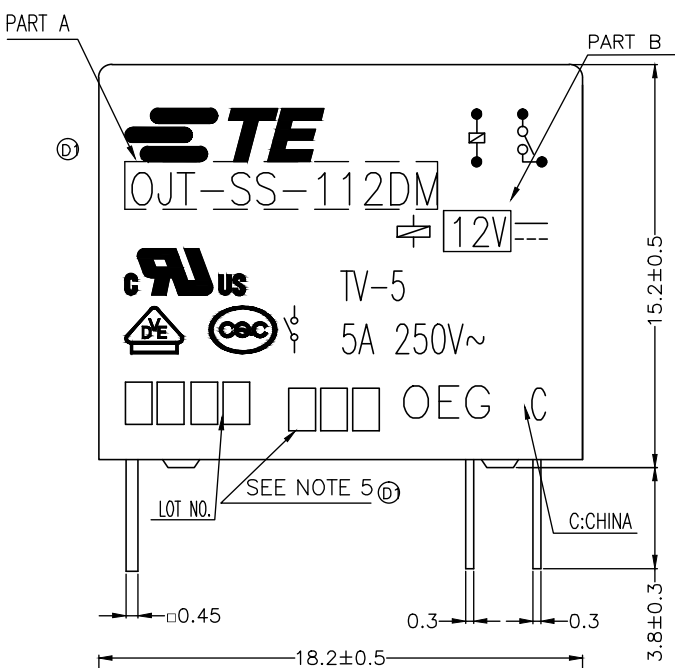
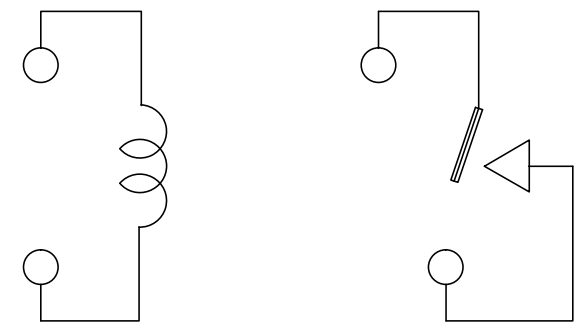
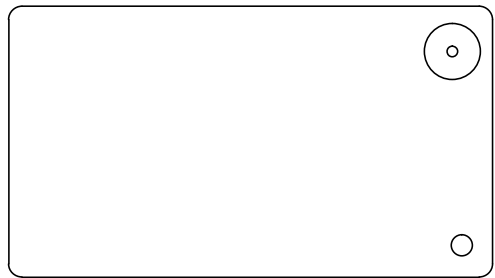


THIS DRAWING IS UNPUBLISHED. RELEASED FOR PUBLICATION
 © COPYRIGHT - By -TE CONNECTIVITY ALL RIGHTS RESERVED.

LOC	DIST	REVISIONS				
P	LTR	DESCRIPTION	DATE	DWN	APVD	
HB	-					
	D1	CHANGE LOGO&ADD LINE IDENTIFICATION ECO-12-001771	21Aug2012	YS.H	BH.Y	
	E	UNIFY THE GROOVE OF GLUE ECO-15-012528	21Aug2012	YS.H	CSM	



CONNECTION FIGURE

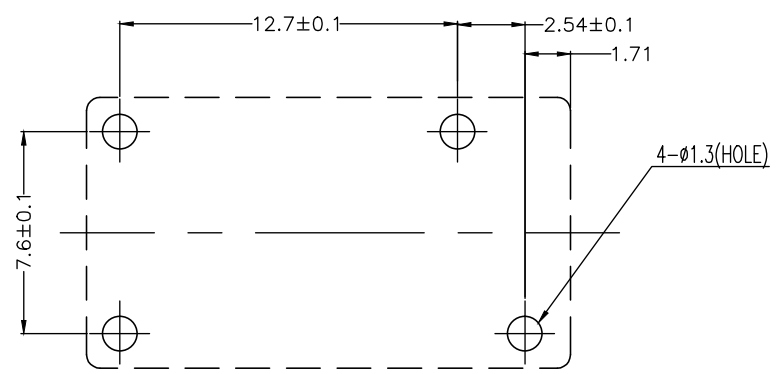
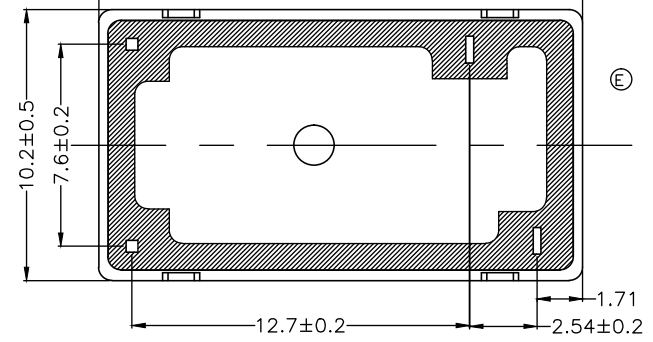


FIGURE FOR PRINTED CIRCUIT BOARD PROCESSING (BOTTOM VIEW)

Diagram dimension	Tolerance
0.99mm max.	±0.1mm
1 - 2.99mm	±0.2mm
3mm min.	±0.3mm



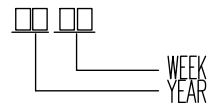
THIS DRAWING IS A CONTROLLED DOCUMENT.		DWN	Fu,Bo	-	TE Connectivity OJT-S*-1**DM,000 CUSTOMER DRAWING
DIMENSIONS: mm		CHK	Zhang,XN	-	
TOLERANCES UNLESS OTHERWISE SPECIFIED:		APVD	Yang,Wen	-	
0 PLC ± - 1 PLC ± - 2 PLC ± - 3 PLC ± - 4 PLC ± - ANGLES ± - FINISH ± -		PRODUCT SPEC	SEE SPEC TABLE		
MATERIAL		APPLICATION SPEC	-		NAME
		WEIGHT	-		SIZE
		CUSTOMER DRAWING		A3	CAGE CODE
				00779	DRAWING NO
				©=1461116	RESTRICTED TO
					SCALE
				5:1	SHEET
				1 OF 2	REV
					E

THIS DRAWING IS UNPUBLISHED. RELEASED FOR PUBLICATION -.-
 © COPYRIGHT - By -TE CONNECTIVITY ALL RIGHTS RESERVED.

LOC	DIST	REVISIONS					
HB	-	P	LTR	DESCRIPTION	DATE	DWN	APVD
		-		SEE SHEET 1	-	-	-

1-1461116-6	QJT-SH-148DM	48V	QJT-SH-148DM	P
1-1461116-5	QJT-SH-124DM	24V	QJT-SH-124DM	o
1-1461116-4	QJT-SH-118DM	18V	QJT-SH-118DM	n
1461116-1	QJT-SH-112DM	12V	QJT-SH-112DM	m
1-1461116-2	QJT-SH-109DM	9V	QJT-SH-109DM	l
1-1461116-1	QJT-SH-106DM	6V	QJT-SH-106DM	k
1-1461116-0	QJT-SH-105DM	5V	QJT-SH-105DM	j
1461116-9	QJT-SH-103DM	3V	QJT-SH-103DM	i
1461116-8	QJT-SS-148DM	48V	QJT-SS-148DM	h
1461116-7	QJT-SS-124DM	24V	QJT-SS-124DM	g
1461116-6	QJT-SS-118DM	18V	QJT-SS-118DM	f
1-1461116-3	QJT-SS-112DM	12V	QJT-SS-112DM	e
1461116-5	QJT-SS-109DM	9V	QJT-SS-109DM	d
1461116-4	QJT-SS-106DM	6V	QJT-SS-106DM	c
1461116-3	QJT-SS-105DM	5V	QJT-SS-105DM	b
1461116-2	QJT-SS-103DM	3V	QJT-SS-103DM	a
TE PART NO	TE TYPE NAME	PART B	PART A	TYPE

① NOTES:
 1.LOT NO. SYSTEM AS FOLLOWING:



② 5.ADD LOT NO. SYSTEM AS FOLLOWING;



- ③ 2.TERMINAL DIMENSION IS BEFORE SOLDER DIP;
- ④ 3.FOR THE TIN-PLATING OF THE PINS:
 +0.1mm FOR WIDTH,THICKENSS AND DIAMETER.
 +0.5mm FOR LENGTH.
- ⑤ 4.MARKING FROM INK TO LASER.

RELAY TYPE
 I, DIGITS FOR DAY OF THE WEEK
 1...MONDAY IN THIS WEEK;
 2...TUESDAY IN THIS WEEK;

 7...SUNDAY IN THIS WEEK
 II, DIGITS FOR SHIFT OF THE DAY
 1...DAY SHIFT IN THIS DAY;
 2...NIGHT SHIFT IN THIS DAY;
 III, ONE CHARACTER DISTINGUISH THE LINE
 IDENTITY, SUCH AS: A,B.....Z

		UV RESIN	SEAL (VENT HOLE)	16
		EPOXY RESIN	SEAL (BASE & BOBBIN)	15
		3UEW	MAGNETIC WIRE	14
94V-0		P.B.T	CASE	13
94V-0		P.B.T	BASE	12
94V-0		P.B.T	BOBBIN	11
	SOLDER DIP	C.P WIRE	COIL TERMINAL	10
94V-0		P.B.T	CARD	9
		Ag ALLOY	MOVABLE CONTACT	8
		Ag ALLOY	NO.CONTACT	7
		STEEL	HINGE SPRING	6
	SOLDER DIP	PBP	NO.TERMINAL	5
	SOLDER DIP	Cu ALLOY	MOVABLE SPRING	4
	Cu-Ni PLATED	STEEL	CORE	3
	Cu-Ni PLATED	STEEL	ARMATURE	2
	Cu-Ni PLATED	STEEL	YOKE	1
INCOMBUSTIBILITY	TREATMENT	MATERIAL	DESCRIPTION	ITEM

THIS DRAWING IS A CONTROLLED DOCUMENT.		DWN	Fu,Bo	-
DIMENSIONS: mm		CHK	Zhang,XN	-
TOLERANCES UNLESS OTHERWISE SPECIFIED:		APVD	Yang,Wen	-
	0 PLC ± -	NAME		
	1 PLC ± -	OJT-S*-1**DM,000 CUSTOMER DRAWING		
	2 PLC ± -	-		
	3 PLC ± -	-		
4 PLC ± -	PRODUCT SPEC			
ANGLES ± -	SEE SPEC TABLE			
FINISH	APPLICATION SPEC			
MATERIAL	-			
WEIGHT		SIZE	CAGE CODE	DRAWING NO
-		A3	00779	©=1461116
CUSTOMER DRAWING		RESTRICTED TO	-	
SCALE		5:1	SHEET	2 OF 2
REV		E		

单击下面可查看定价，库存，交付和生命周期等信息

[>>TE Connectivity\(泰科\)](#)