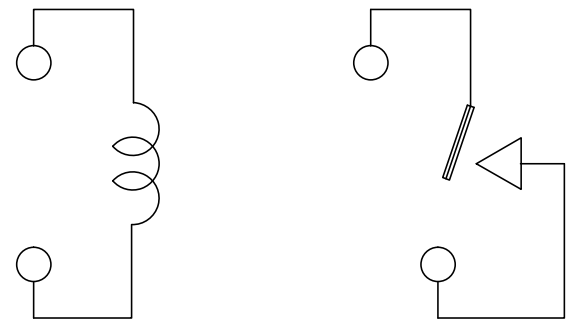
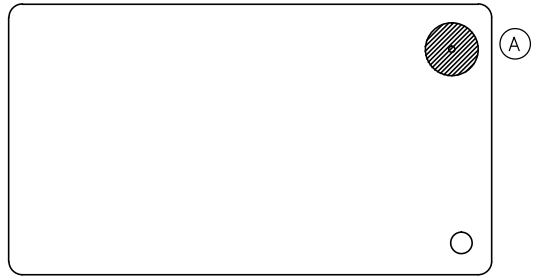


THIS DRAWING IS UNPUBLISHED. RELEASED FOR PUBLICATION
 © COPYRIGHT - By - TE CONNECTIVITY ALL RIGHTS RESERVED.

LOC	DIST	REVISIONS			
P	LTR	DESCRIPTION	DATE	DWN	APVD
HB	-				
	D	REMOVED THE RIB ON THE BASE TO CASE ECO-15-011310	03DEC2015	YS.H	CHL



CONNECTION FIGURE

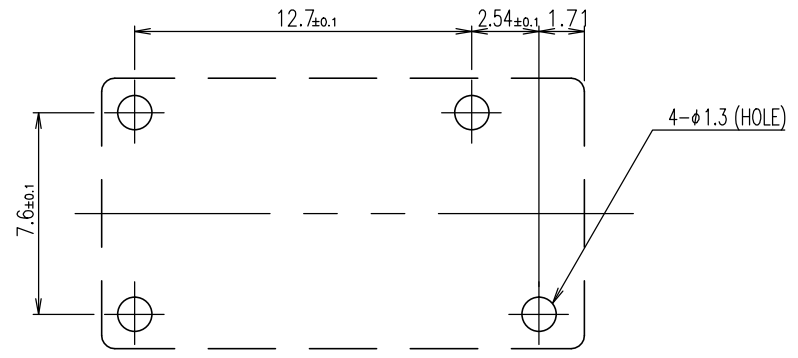
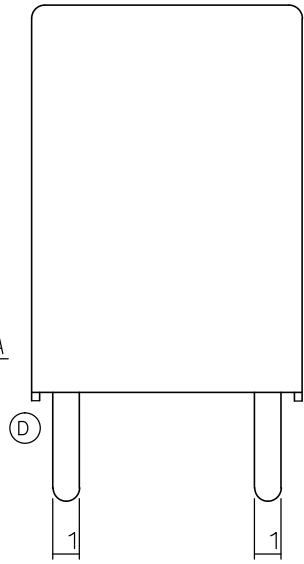
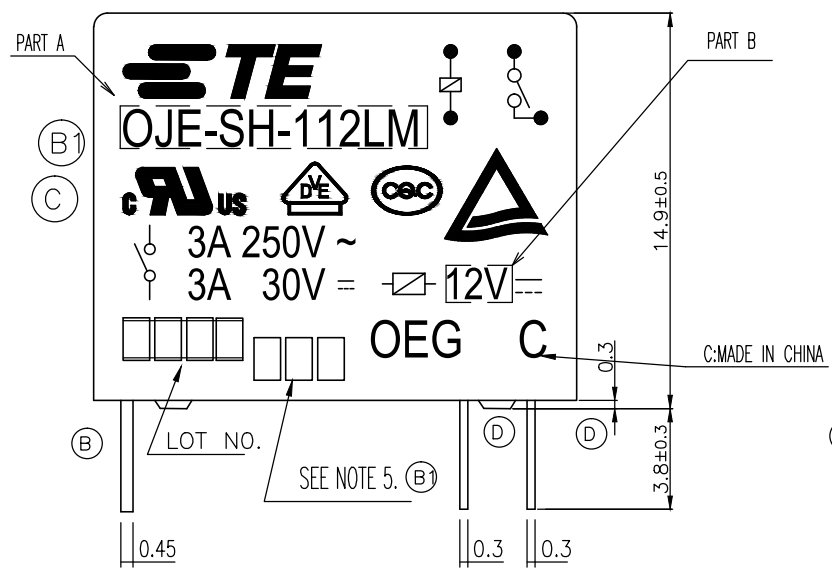
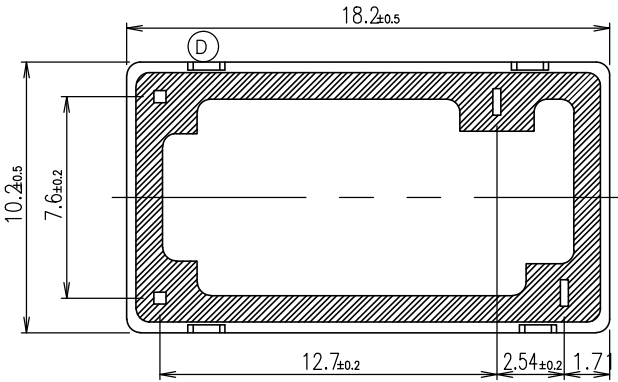


FIGURE FOR PRINTED CIRCUIT BOARD PROCESSING (BOTTOM VIEW)



THIS DRAWING IS A CONTROLLED DOCUMENT.		DWN	H.Sasaki	-	TE TE Connectivity
DIMENSIONS: mm		CHK	Y.Oikawa	-	
TOLERANCES UNLESS OTHERWISE SPECIFIED:		APVD	A.Nagai	-	NAME
0 PLC ± -		PRODUCT SPEC	-	-	OJE-SH-LM SPEC 000 CUSTOMER DRAWING
1 PLC ± -		APPLICATION SPEC	-	-	
2 PLC ± -		WEIGHT	-	-	SIZE CAGE CODE DRAWING NO RESTRICTED TO
3 PLC ± -					A3 00779 C= 1461401 -
4 PLC ± -		CUSTOMER DRAWING			SCALE SHEET REV
ANGLES ± -					5:1 1 OF 2 D
MATERIAL	FINISH				

THIS DRAWING IS UNPUBLISHED.

RELEASED FOR PUBLICATION

-, - .

© COPYRIGHT - By - TE CONNECTIVITY

ALL RIGHTS RESERVED.

LOC
HB

DIST
-

REVISIONS

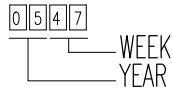
P	LTR	DESCRIPTION	DATE	DWN	APVD
-	-	SEE SHEET 1	-	-	-

	ACTIVE	1461401-4	OJE-SH-124LM, 000	107-79010	24V	OJE-SH-124LM	f
	ACTIVE	1461401-5	OJE-SH-112LM, 000	107-79010	12V	OJE-SH-112LM	e
(B)	OBSOLETE	1461401-1	OJE-SH-109LM, 000	107-79010	9V	OJE-SH-109DM	d
(B)	OBSOLETE	1461401-3	OJE-SH-106LM, 000	107-79010	6V	OJE-SH-106LM	c
	ACTIVE	1461401-2	OJE-SH-105LM, 000	107-79010	5V	OJE-SH-105LM	b
(B)	OBSOLETE	1461401-6	OJE-SH-103LM, 000	107-79010	3V	OJE-SH-103LM	a
	PART STATUS	TE PART NO	DESCRIPTION	PACKAGE SPEC	PART B	PART A	TYPE

RELAY TYPE

(B) (A) NOTES:

1.LOT NO. SYSTEM AS FOLLOWING:



(B) 2.TERMINAL DIMENSION IS BEFORE SOLDER DIP;

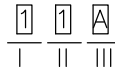
(B) 3.FOR THE TIN-PLATING OF THE PINS:

+0.1mm FOR WIDTH, THICKNESS AND DIAMETER.

+0.5mm FOR LENGTH.

(B) 4.USED WELDED CONTACT & LASER MARKING.

(B) 5.ADD LOT NO. SYSTEM AS FOLLOWING;



I, DIGITS FOR DAY OF THE WEEK

1...MONDAY IN THIS WEEK;

2...TUESDAY IN THIS WEEK;

.....

7...SUNDAY IN THIS WEEK

II, DIGITS FOR SHIFT OF THE DAY

1...DAY SHIFT IN THIS DAY;

2...NIGHT SHIFT IN THIS DAY;

III, ONE CHARACTER

DISTINGUISH THE LINE

IDENTITY, SUCH AS: A,B.....Z

		UV RESIN	SEAL (VENT HOLE)	16
		EPOXY RESIN	SEAL (BASE & BOBBIN)	15
		3UEW	MAGNETIC WIRE	14
94V-0		P.B.T	CASE	13
94V-0		P.B.T	BASE	12
94V-0		P.B.T	BOBBIN	11
	SOLDER DIP	C.P WIRE	COIL TERMINAL	10
94V-0		P.P.S	CARD	9
		Ag	MOVABLE CONTACT	8
		Ag	NO.CONTACT	7
		STEEL	HINGE SPRING	6
	SOLDER DIP	Cu ALLOY	NO.TERMINAL	5
	SOLDER DIP	Cu ALLOY	MOVABLE SPRING	4
	NIP	STEEL	CORE	3
	NIP	STEEL	ARMATURE	2
	NIP	STEEL	YOKE	1
INCOMBUSTIBILITY	TREATMENT	MATERIAL	DESCRIPTION	ITEM

THIS DRAWING IS A CONTROLLED DOCUMENT.		DWN	H.Sasaki	-			
DIMENSIONS: mm		CHK	Y.Oikawa	-			
TOLERANCES UNLESS OTHERWISE SPECIFIED:		APVD	A.Nagai	-			
	0 PLC	±	-	NAME			
	1 PLC	±	-		OJE-SH-LM SPEC 000 CUSTOMER DRAWING		
	2 PLC	±	-				
	3 PLC	±	-				
4 PLC	±	-	PRODUCT SPEC	-			
ANGLES	±	-	APPLICATION SPEC	-			
MATERIAL	FINISH	WEIGHT	-	SIZE	CAGE CODE	DRAWING NO	RESTRICTED TO
-	-	-	-	A3	00779	1461401	-
CUSTOMER DRAWING				SCALE	5:1	SHEET	2 OF 2
				REV	D		

单击下面可查看定价，库存，交付和生命周期等信息

[>>TE Connectivity\(泰科\)](#)