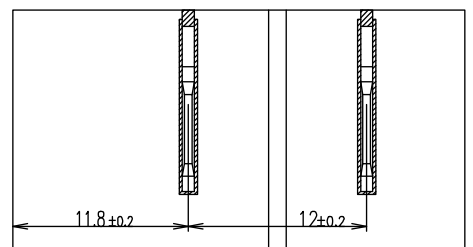
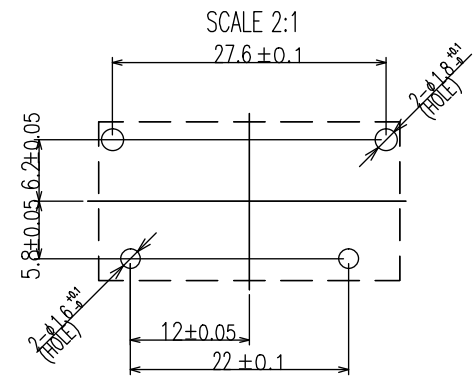
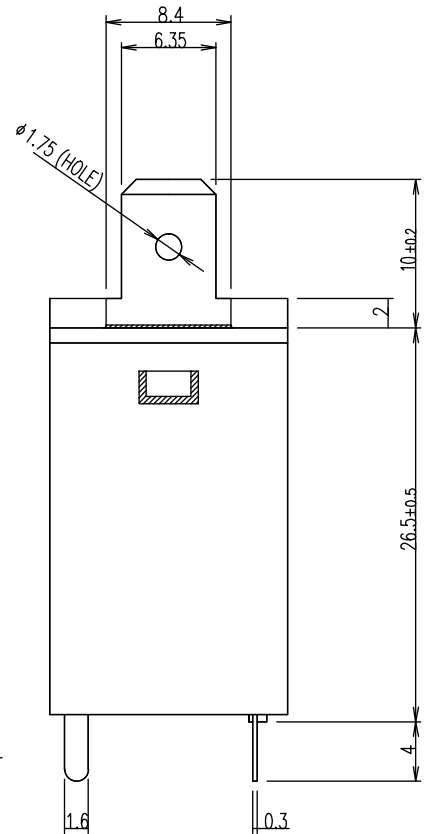


THIS DRAWING IS UNPUBLISHED. RELEASED FOR PUBLICATION
 COPYRIGHT - By - ALL RIGHTS RESERVED.

LOC	DIST	REVISIONS			
P	LTR	DESCRIPTION	DATE	DWN	APVD
E		CHANGE DATE CODE & TE LOGO ECO-08-007869	16-APR-08	CY.Z	BH.Y
F		TE LOGO CHANGE; TERMINALS TOLERANCE CLARIFICATION; ADD LINE IDENTIFIER TO MARKING; PN OBSOLETE. ECO-12-008675	22-AUG-12	K.T	BH.Y



DRILLING DIAGRAM (BOTTOM VIEW)



CONNECTION DIAGRAM (BOTTOM VIEW)

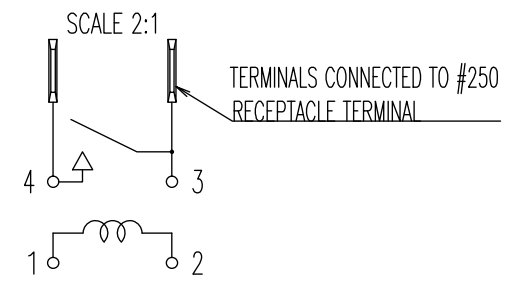
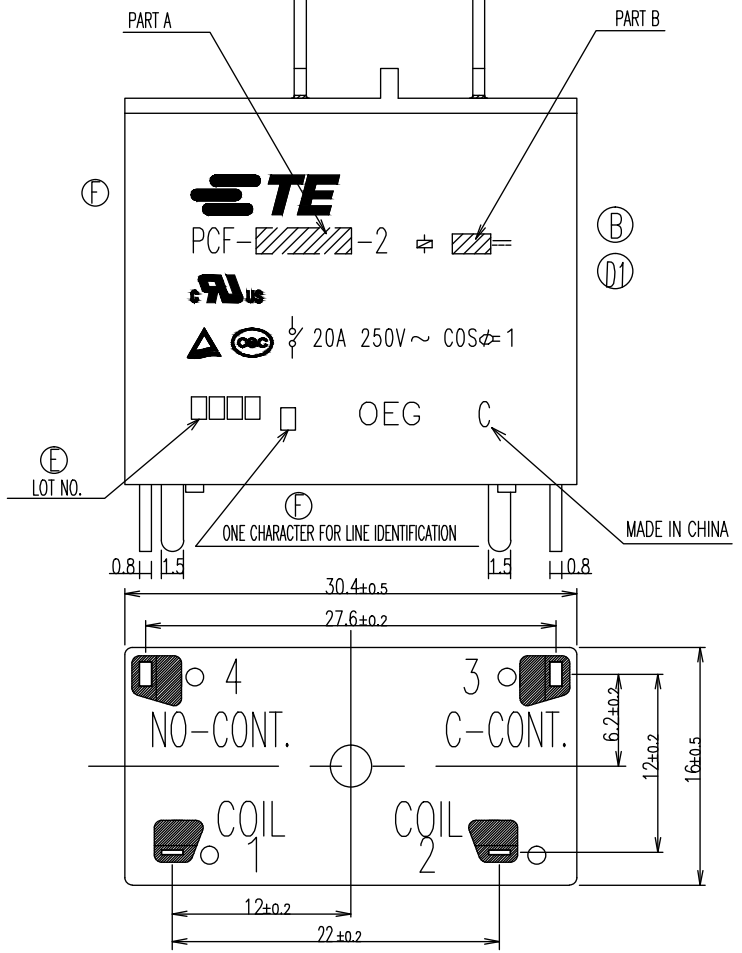


DIAGRAM DIMENSION	TOLERANCE
0.99mm MAX.	±0.1mm
1 - 2.99mm	±0.2mm
3mm MIN.	±0.3mm



THIS DRAWING IS A CONTROLLED DOCUMENT.

DIMENSIONS:	TOLERANCES UNLESS OTHERWISE SPECIFIED:
mm	0 PLC ±-
	1 PLC ±-
	2 PLC ±-
	3 PLC ±-
	4 PLC ±-
	ANGLES ±-
MATERIAL	FINISH
-	-

DWN K.OKADO	TE Connectivity			
CHK H.SASAKI				
APVD A.NAGAI	NAME			
PRODUCT SPEC SEE PRODUCT SPEC	PCF-D1M-2(VA TYPE)			
APPLICATION SPEC	SIZE	CAGE CODE	DRAWING NO	RESTRICTED TO
-	A3	00779	C=1461477	-
WEIGHT	SCALE		SHEET	REV
-	3:1		1 OF 2	F
CUSTOMER DRAWING				

4

3

2

1

THIS DRAWING IS UNPUBLISHED.

RELEASED FOR PUBLICATION

- . - .

© COPYRIGHT - By -

ALL RIGHTS RESERVED.

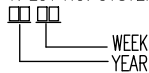
LOC	DIST	REVISIONS			
P	LTR	DESCRIPTION	DATE	DWN	APVD
-	-	SEE SHEET 1	-	-	-

Ⓕ	OBSOLETE	1461477-8	PCF-112D1M-2,400	108-79550	107-79012	12	112D1M	h	Ⓐ
	ACTIVE	1461477-7	PCF-112D1M-2,000B	108-79550	107-79040	12	112D1M	g	Ⓐ
Ⓕ	OBSOLETE	1461477-6	PCF-148D1M-2,000	108-79552	107-79012	48	148D1M	f	
Ⓕ	OBSOLETE	1461477-5	PCF-124D1M-2,000	108-79551		24	124D1M	e	
	ACTIVE	1461477-4	PCF-112D1M-2,000	108-79550		12	112D1M	d	
Ⓕ	OBSOLETE	1461477-3	PCF-109D1M-2,000	108-79549		9	109D1M	c	
Ⓕ	OBSOLETE	1461477-2	PCF-106D1M-2,000	108-79548		6	106D1M	b	
Ⓕ	OBSOLETE	1461477-1	PCF-105D1M-2,000	108-79547		5	105D1M	a	
	PN STATUS	TE PART NO	DESCRIPTION	PRODUCT SPEC	PACKING SPEC	PART B	PART A	TYPE	

RELAY TYPE

NOTES:

- Ⓕ 1. LOT NO. SYSTEM AS FOLLOWING:



- Ⓕ 2. ONE CHARACTER DISTINGUISH THE LINE IDENTITY, SUCH AS: A, B..
- Ⓕ 3. TERMINAL DIMENSION IS BEFORE SOLDER DIP.
- Ⓕ 4. FOR THE TIN-PLATING OF THE PINS:
+0.1mm FOR WIDTH, THICKNESS AND DIAMETER.
+0.5mm FOR LENGTH.

P.B.T	CASE	17
3JEW	MAGNETIC WIRE	16
EPOXY RESIN	SEAL	15
Cu ALLOY	HINGE SPRING	14
Cu ALLOY	COIL TERMINAL L	13
Cu ALLOY	COIL TERMINAL R	12
Ag ALLOY	C CONTACT	11
Ag ALLOY	M CONTACT	10
Cu ALLOY	C SPRING	9
Cu ALLOY	C TERMINAL (PLATED TYPE)	8
Cu ALLOY	C TERMINAL	
Cu ALLOY	M TERMINAL (PLATED TYPE)	7
Cu ALLOY	M TERMINAL	
P.P.S	CARD	6
P.B.T	BOBBIN	5
P.B.T	BASE	4
STEEL	CORE	3
STEEL	ARMATURE	2
STEEL	YOKE	1
MATERIAL	DESCRIPTION	ITEM

THIS DRAWING IS A CONTROLLED DOCUMENT.		DWN K.OKADO	TE Connectivity		
		CHK H.SASAKI			
DIMENSIONS: mm		APVD A.NAGAI	NAME		
		PRODUCT SPEC	PCF-D1M-2(VA TYPE)		
TOLERANCES UNLESS OTHERWISE SPECIFIED:		APPLICATION SPEC	RESTRICTED TO		
0 PLC ± -		-	SIZE	CAGE CODE	DRAWING NO
1 PLC ± -		-	A3	00779	C=1461477
2 PLC ± -		-	SCALE 3:1 SHEET 2 OF 2 REV F		
3 PLC ± -		-	CUSTOMER DRAWING		
4 PLC ± -		± -			
FINISH		WEIGHT			
-		-			

单击下面可查看定价，库存，交付和生命周期等信息

[>>TE Connectivity\(泰科\)](#)