

4

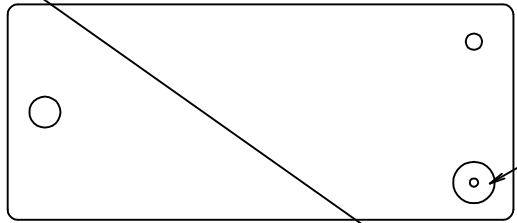
3

2

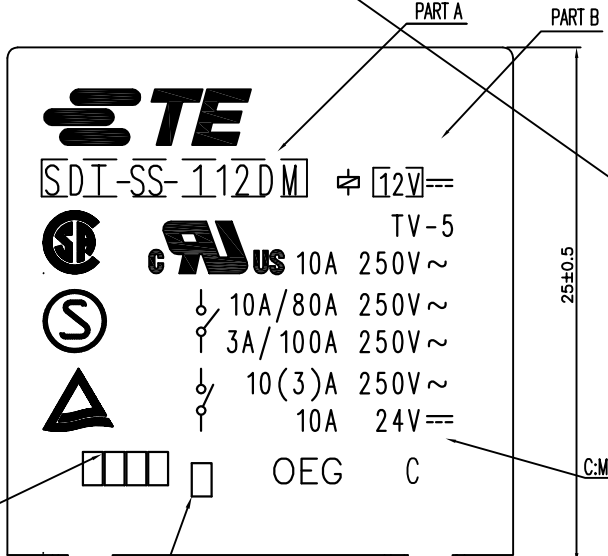
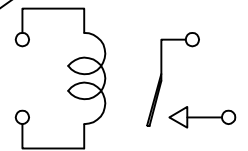
1

THIS DRAWING IS UNPUBLISHED. RELEASED FOR PUBLICATION
 © COPYRIGHT - By TE Connectivity ALL RIGHTS RESERVED.

LOC	DIST	REVISIONS			
P	LTR	DESCRIPTION	DATE	DWN	APVD
HB	-	C2	REVISED PER ECO-11-005140	29MAR11	RK HMR
		C4	PN OBSOLETE ECO-12-005305	10-APR-12	YS.H BH.Y



CONNECTION DIAGRAM



OBSOLETE

DRILLING DIAGRAM(BOTTOM VIEW)

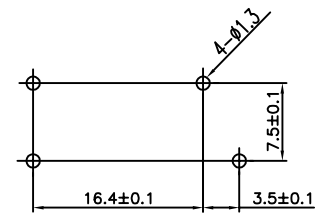
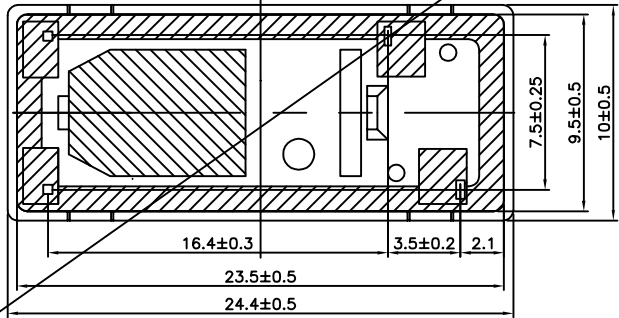
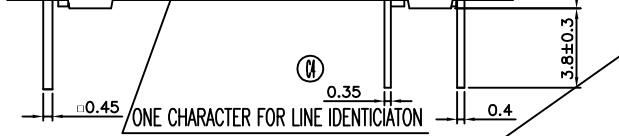


Diagram dimension	Tolerance
max. 1mm	\pm 0.1mm
1 - 3mm	\pm 0.2mm
min. 3mm	\pm 0.3mm



THIS DRAWING IS A CONTROLLED DOCUMENT.

DWN H.SASAKI	TE Connectivity
CHK K.OKADO	
APVD A.NAGAI	
PRODUCT SPEC -	
APPLICATION SPEC -	NAME
WEIGHT -	SIZE A3
CUSTOMER DRAWING	CAGE CODE 00779
	DRAWING NO C=1461481
	RESTRICTED TO -
	SCALE 4:1
	SHEET 1 OF 2
	REV C4

DIMENSIONS:	TOLERANCES UNLESS OTHERWISE SPECIFIED:
mm	0 PLC \pm -
	1 PLC \pm -
	2 PLC \pm -
	3 PLC \pm -
	4 PLC \pm -
	ANGLES \pm -

4

3

2

1

THIS DRAWING IS UNPUBLISHED.

RELEASED FOR PUBLICATION

-. .

© COPYRIGHT - By -TE Connectivity

ALL RIGHTS RESERVED.

LOC	DIST	REVISIONS					
HB	-	P	LTR	DESCRIPTION	DATE	DWN	APVD
		-		SEE SHEET 1	-	-	-

1440003-2	SDT-SS-103DM	107-84016	3V	SDT-SS-103DM	h
3-1419126-2	SDT-SS-148DM	107-84016	40V	SDT-SS-148DM	g
2-1419126-5	SDT-SS-124DM	107-84016	24V	SDT-SS-124DM	f
1461481-1	SDT-SS-112DM	107-84016	12V	SDT-SS-112DM	e
1-1419126-8	SDT-SS-112DM	107-84016	12V	SDT-SS-112DM	d
1-1419126-5	SDT-SS-109DM	107-84016	9V	SDT-SS-109DM	c
1-1419126-4	SDT-SS-106DM	107-84016	6V	SDT-SS-106DM	b
1-1419126-2	SDT-SS-105DM	107-84016	5V	SDT-SS-105DM	a
PART NO	DESCRIPTION	PACKING SPEC	PART B	PART A	TYPE

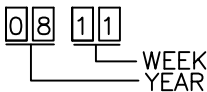
RELAY TYPE

OBSOLETE

EPOXY RESIN	RESIN (CASE)	12
UEW	MAGNETIC WIRE	11
PBT	CASE	10
Cu ALLOY	HINGE SPRING	9
Cu ALLOY	COIL TERMINAL	8
Cu ALLOY	M TERMINAL	7
Cu ALLOY	MOVABLE SPRING	6
PBT	BOBBIN	5
PPS	CARD	4
STEEL	CORE	3
STEEL	ARMATURE	2
STEEL	YOKE	1
MATERIAL	DESCRIPTION	ITEM

NOTES:

- 1. TERMINAL DIMENSIONS BEFORE SOLDER DIP
- 2. LOT NO. SYSTEM AS FOLLOWING:



THIS DRAWING IS A CONTROLLED DOCUMENT.		DWN H.SASAKI		
DIMENSIONS: mm		CHK K.OKADO		
TOLERANCES UNLESS OTHERWISE SPECIFIED:		APVD A.NAGAI	NAME	
0 PLC ± -		PRODUCT SPEC	SDT-SS-DM,000(STANDARD) CUSTOMER DRAWING	
1 PLC ± -		APPLICATION SPEC	SIZE	CAGE CODE
2 PLC ± -		WEIGHT	A3	00779
3 PLC ± -		CUSTOMER DRAWING	DRAWING NO	
4 PLC ± -			C=1461481	
ANGLES ± -			SCALE	SHEET
FINISH			4:1	2 OF 2
MATERIAL			REV	C4

单击下面可查看定价，库存，交付和生命周期等信息

[>>TE Connectivity\(泰科\)](#)