

THIS DRAWING IS UNPUBLISHED.

RELEASED FOR PUBLICATION

ALL RIGHTS RESERVED.

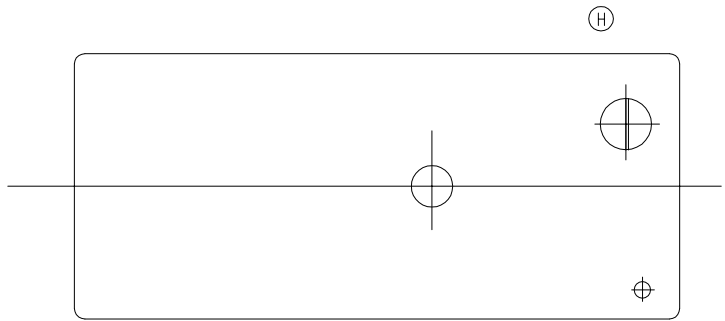
© COPYRIGHT - By TE Connectivity

REVISIONS

P	LTR	DESCRIPTION	DATE	DWN	APVD
	H	1.UPDATE TE LOGO 2.ADD LINE IDENTIFICATION 3.TERMINALS TOLERANCE CLARIFICATION 4.VENT HOLE CHANGE	ECO-12-005726	09-APR-12	D.L BH.Y
	H1	ADD NEW PN	ECO-17-000322	10-JAN-17	XR.L H.L.C
	H2	ADD SHEET 3/4, OZ-SH-105LM1F ADD 20A RATING	ECO-17-008000	12-JUL-17	XR.L T.K

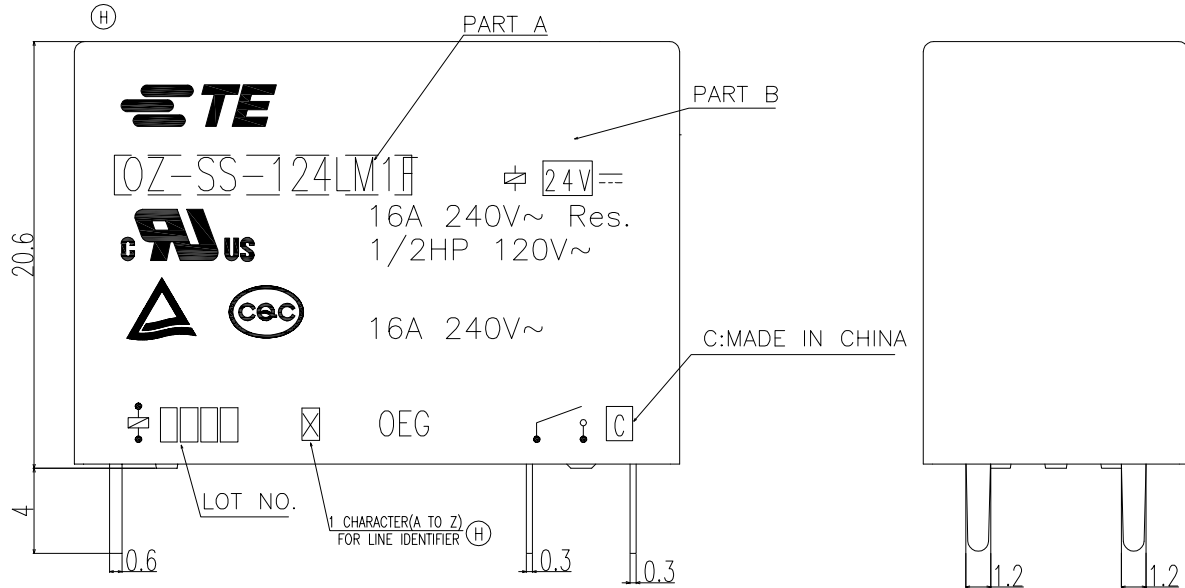
D

D



C

C



L TYPE:

1-2071269-2	OZ-SS-112LM1F	12V	OZ-SS-112LM1F	h
1461868-7	OZ-SS-109LM1F	9V	OZ-SS-109LM1F	g
1461868-5	OZ-SS-112LM1F	12V	OZ-SS-112LM1F	e
1461868-8	OZ-SH-105LM1F	5V	OZ-SH-105LM1F	d
1461868-3	OZ-SH-124LM1F	24V	OZ-SH-124LM1F	c
1461868-2	OZ-SS-124LM1F	24V	OZ-SS-124LM1F	b
1461868-1	OZ-SH-112LM1F	12V	OZ-SH-112LM1F	a
PART NO	DESCRIPTION	PART B	PART A	ITEM

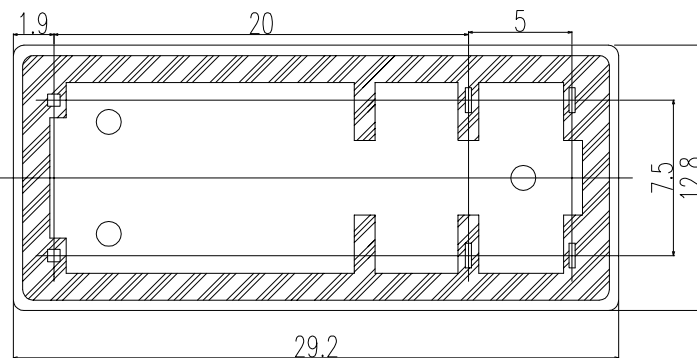
RELAY TYPE

B

B

A

A



THIS DRAWING IS A CONTROLLED DOCUMENT.

DWN LIU.XIANGREN 09APR2012
 CHK CHEN.TIMOTHY
 APVD ZHANG.SUNNY
 PRODUCT SPEC
 APPLICATION SPEC
 WEIGHT 0

TE TE Connectivity
 -
 OZ CUSTOMER DRAWING

SIZE A3
 CAGE CODE 00779
 DRAWING NO C=1461868
 RESTRICTED TO -

MATERIAL - FINISH -
 DIMENSIONS: mm
 TOLERANCES UNLESS OTHERWISE SPECIFIED:
 0 PLC ±-
 1 PLC ±-
 2 PLC ±-
 3 PLC ±-
 4 PLC ±-
 ANGLES ±-

CUSTOMER DRAWING
 SCALE 4:1
 SHEET 1 of 4
 REV H2

4

3

2

1

THIS DRAWING IS UNPUBLISHED.

RELEASED FOR PUBLICATION

ALL RIGHTS RESERVED.

© COPYRIGHT - By TE Connectivity

REVISIONS

P	LTR	DESCRIPTION	DATE	DWN	APVD
-	-	SEE SHEET 1	-	-	-

H
 H
 PART A
 PART B
TE
ORUS
C&C
 0Z-SS-112DM1F
 12V
 16A 240V~ Res.
 1/2HP 120V~
 16A 240V~
 C:MADE IN CHINA
 LOT NO.
 OEG
 CHARACTER(A TO Z) FOR LINE IDENTIFIER
 20.6
 4
 0.6
 0.3
 0.3
 1.9
 20
 5
 7.5
 12.8
 29.2

D TYPE:

1461868-6	0Z-SS-112DM1F	12V	0Z-SS-112DM1F	f
PART NO	DESCRIPTION	PART B	PART A	ITEM

RELAY TYPE

THIS DRAWING IS A CONTROLLED DOCUMENT.

DIMENSIONS:	TOLERANCES UNLESS OTHERWISE SPECIFIED.	STE TE Connectivity			
mm		DWN	09APR2012		
		CHK	LIU.XIANGREN		
		APVD	CEHN.TIMOTHY		
		PRODUCT SPEC	ZHANG.SUNNY		
		APPLICATION SPEC	-		
		WEIGHT	0		
MATERIAL	FINISH	SIZE	CAGE CODE	DRAWING NO	RESTRICTED TO
-	-	A3	00779	C=1461868	-
CUSTOMER DRAWING		SCALE	SHEET	REV	
		4:1	2 OF 4	H2	

1470-19 (1/15)

Downloaded From Onevac.com

4

3

2

1

THIS DRAWING IS UNPUBLISHED.

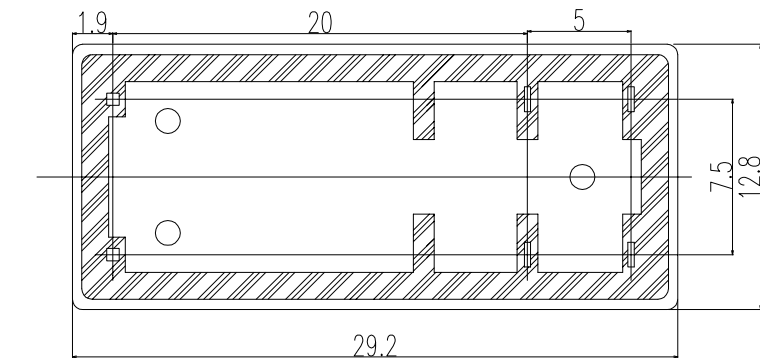
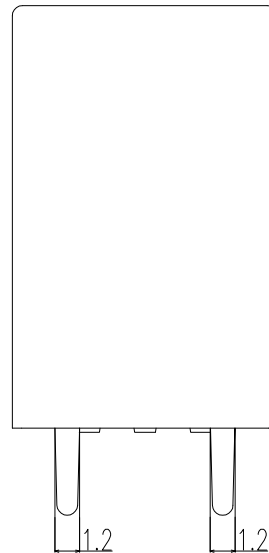
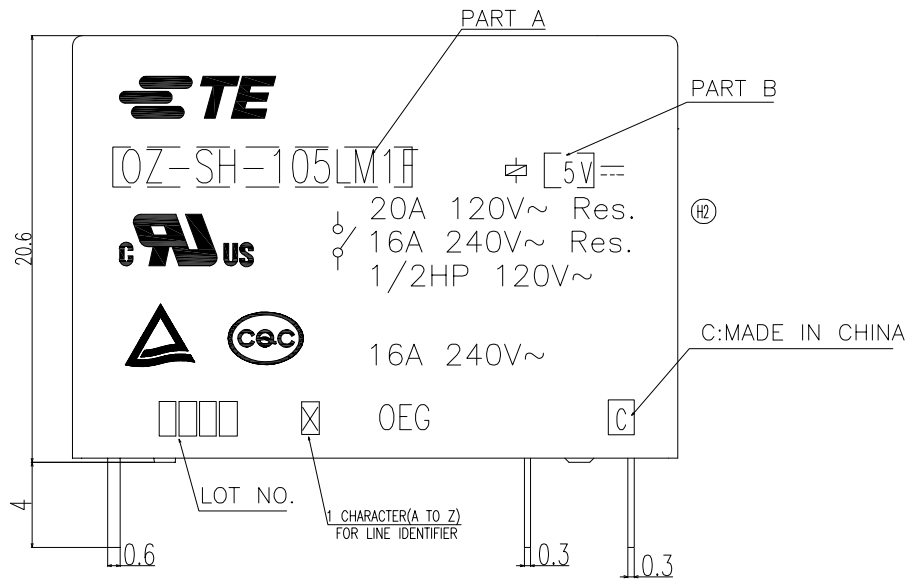
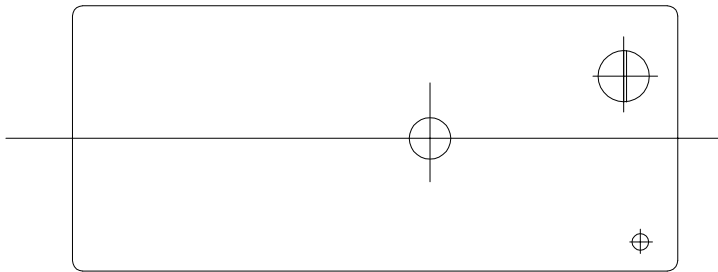
RELEASED FOR PUBLICATION

ALL RIGHTS RESERVED.

© COPYRIGHT - By TE Connectivity

REVISIONS

P	LTR	DESCRIPTION	DATE	DWN	APVD
-	-	SEE SHEET 1	-	-	-



④	1461868-8	OZ-SH-105LM1F	5V	OZ-SH-105LM1F	d
	PART NO	DESCRIPTION	PART B	PART A	ITEM

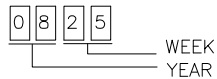
RELAY TYPE

THIS DRAWING IS A CONTROLLED DOCUMENT.		DWN 09APR2012 LIU.XIANGREN		STE TE Connectivity	
		CHK CHEN.TIMOTHY			
DIMENSIONS: mm		TOLERANCES UNLESS OTHERWISE SPECIFIED:		APVD ZHANG.SUNNY	
		0 PLC ± -		NAME	
		1 PLC ± -		-	
		2 PLC ± -		APPLICATION SPEC	
		3 PLC ± -		-	
		4 PLC ± -		SIZE	
		ANGLES ± -		CAGE CODE	
MATERIAL		FINISH		DRAWING NO	
-		-		A300779	
		WEIGHT		C=1461868	
		0.000000		RESTRICTED TO	
		CUSTOMER DRAWING		-	
		SCALE		SHEET	
		4:1		3 OF 4	
				REV	
				H2	

THIS DRAWING IS UNPUBLISHED. RELEASED FOR PUBLICATION
 © COPYRIGHT - By TE Connectivity ALL RIGHTS RESERVED.

REVISIONS				
P	LTR	DESCRIPTION	DATE	APVD
-	-	SEE SHEET 1	-	-

NOTES:
 1.LOT NO. SYSTEM AS FOLLOWING:



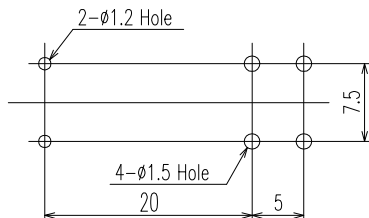
2.GENERAL TOLERANCE AS FOLLOWING:

TOLERANCE	
0~0.99mm	±0.1
1mm~2.99mm	±0.2
3mm MIN.	±0.3

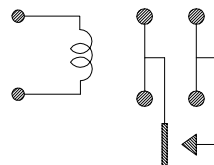
3.TERMINAL DIMENSION IS NOT INCLUDING SOLDER TIP.

Ⓜ 4.FOR THE TIN-PLATING OF THE PINS:
 +0.1mm FOR WIDTH,THICKNESS AND DIAMETER.
 +0.5mm FOR LENGTH.

CIRCUIT DIAGRAM(2/1)
 (BOTTOM VIEW)



DRILLING DIAGRAM
 (BOTTOM VIEW)



		EPOXY RESIN	SEAL	15
		Cu ALLOY	HINGE SPRING	14
		PBT	CASE	13
		MW79	MAGNETIC WIRE	12
UL94V-0		PET	BASE	11
UL94V-0		PA66 NYLON(CLASS F)	BOBBIN	10
	SOLDER DIP	Cu ALLOY	COIL TERMINAL	9
UL94V-0		PPS	CARD	8
		Ag ALLOY	MOVABLE CONTACT	7
		Ag ALLOY	STATIONARY CONTACT	6
	SOLDER DIP	Cu ALLOY	MOVABLE SPRING	5
	SOLDER DIP	Cu ALLOY	NO-TERMINAL	4
	Ni PLATED	STEEL	CORE	3
	Ni PLATED	STEEL	ARMATURE	2
	Ni PLATED	STEEL	YOKE	1
INCOMBUSTIBILITY	TREATMENT	MATERIAL	DESCRIPTION	ITEM

THIS DRAWING IS A CONTROLLED DOCUMENT.		DWN LIU.XIANGREN	TE Connectivity	
		CHK CHEN.TIMOTHY		
DIMENSIONS: mm		APVD ZHANG.SUNNY	NAME -	
		PRODUCT SPEC -	OZ CUSTOMER DRAWING	
TOLERANCES UNLESS OTHERWISE SPECIFIED:		APPLICATION SPEC -	SIZE A3	CAGE CODE 00779
0 PLC ± -		WEIGHT 0	DRAWING NO C=1461868	RESTRICTED TO -
1 PLC ± -		CUSTOMER DRAWING		
2 PLC ± -		SCALE 4:1	SHEET 4 OF 4	REV H2
3 PLC ± -				
4 PLC ± -				
ANGLES ± -				
MATERIAL -	FINISH -			

单击下面可查看定价，库存，交付和生命周期等信息

[>>TE Connectivity\(泰科\)](#)