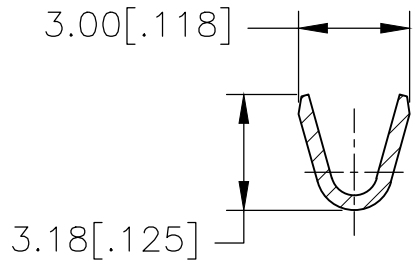
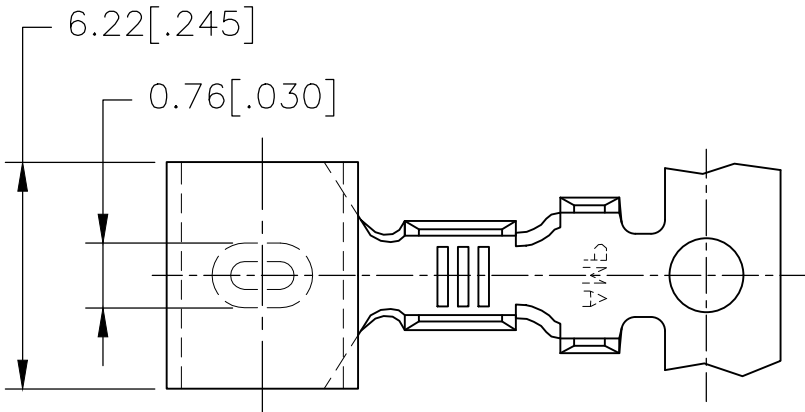
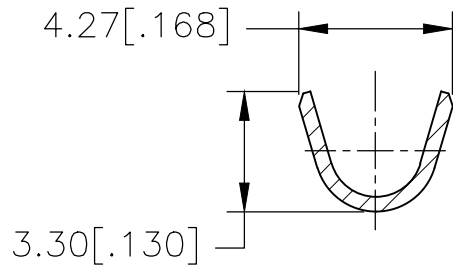
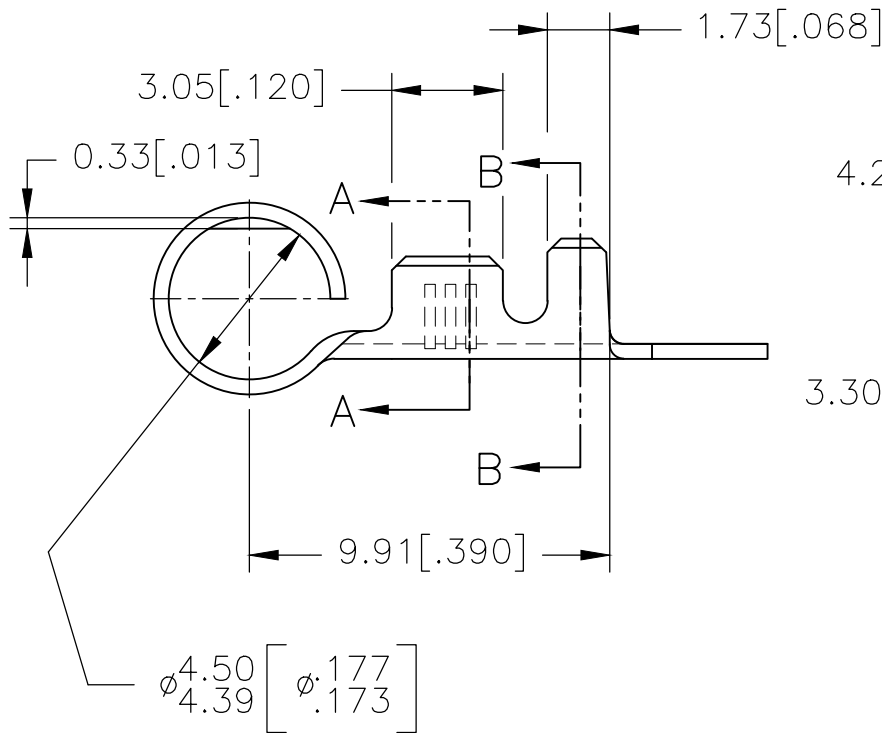


REVISIONS					
P	LTR	DESCRIPTION	DATE	DWN	APVD
	A1	REVISED PER ECR-18-002683	23FEB2018	FV	TD



SECTION A-A



SECTION B-B

THIS DRAWING IS UNPUBLISHED. ALL RIGHTS RESERVED. RELEASED FOR PUBLICATION

STOCK THK.	0.41 [.016] THK.
------------	------------------

WIRE RANGE	INSUL RANGE
20-16	1.5-2.13 [.059-.084]

TIN PLATE	PHOS. BRONZE	154740-2
NONE	PHOS. BRONZE	154740-1
FINISH	MATERIAL	PART NUMBER

DIMENSIONS: mm [INCHES]	DWN	RAVI S	04JAN2017
	CHK	LI DAISY	04JAN2017
TOLERANCES UNLESS OTHERWISE SPECIFIED:	APVD	DING TIM	04JAN2017
	PRODUCT SPEC	-	
0 PLC ± -	APPLICATION SPEC	-	
1 PLC ± -	WEIGHT	-	
2 PLC ± 0.40 [.015]			
3 PLC ± 0.40 [.015]			
4 PLC ± -			
ANGLES ± -			

MATERIAL	SEE TABLE	FINISH	SEE TABLE
----------	-----------	--------	-----------



TE Connectivity

NAME .177 (4.50) DIA. RIGHT ANGLE PIN RECEPTACLE

SIZE	CAGE CODE	DRAWING NO	RESTRICTED TO
A4	00779	154740	-

CUSTOMER DRAWING	SCALE	4:1	SHEET	1 OF 1	REV	A1
------------------	-------	-----	-------	--------	-----	----

单击下面可查看定价，库存，交付和生命周期等信息

[>>TE Connectivity\(泰科\)](#)