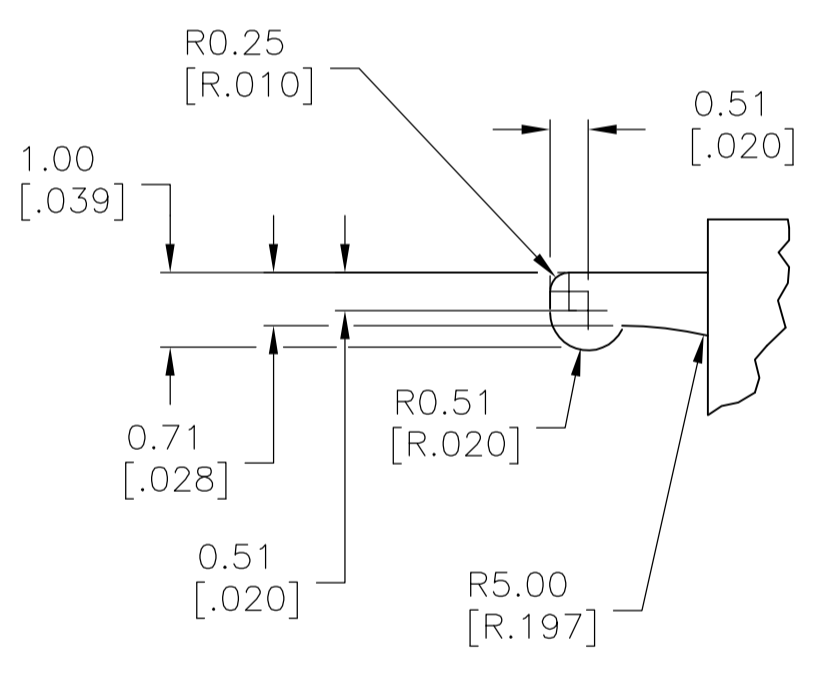
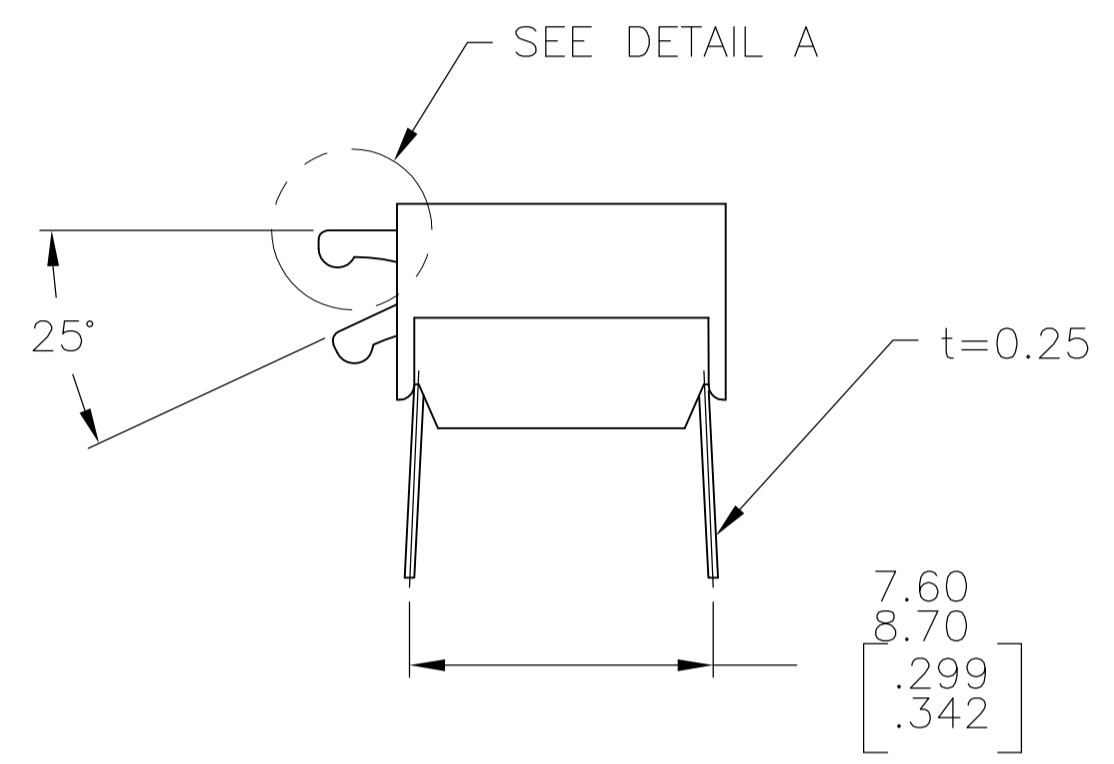


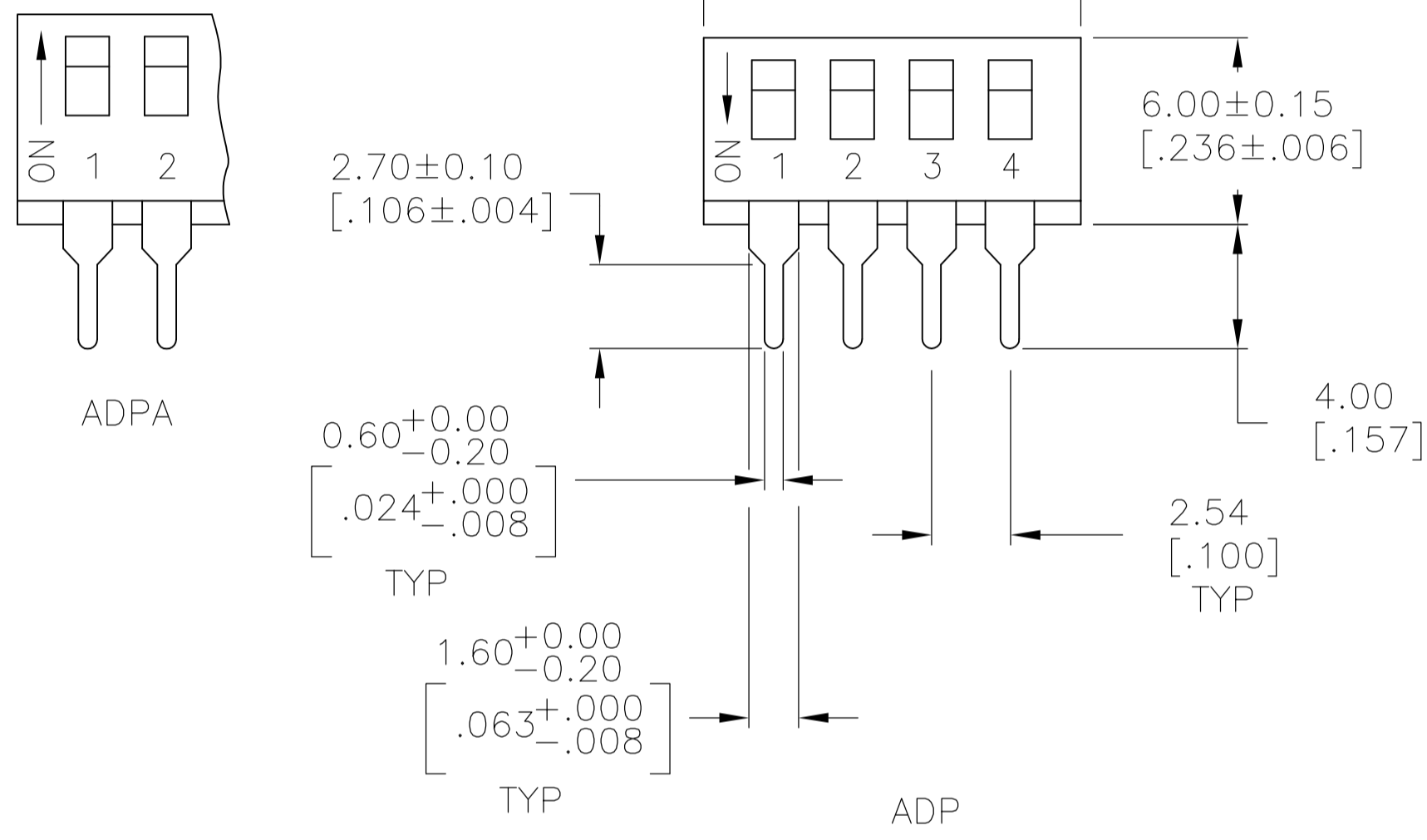
REVISIONS				
P	LTR	DESCRIPTION	DATE	BY
D6		REVISED PER ECR-17-009987	22JUL2017	SK AS



RECOMMENDED HOLE LAYOUT



DETAIL A SCALE: 10:1



SPECIFICATIONS:

MATERIAL:
CASE: PPS 94V-0, BLACK
COVER: PPS 94V-0, BLACK
ACTUATOR: NYLON PA6T 94V-0, WHITE
MOVING CONTACT: COPPER ALLOY, GOLD OVER NICKEL PLATE.
FIXED CONTACT/TERMINAL: COPPER ALLOY, GOLD OVER NICKEL PLATE.

ELECTRICAL:
CONTACT RATING: MAX RATING (SWITCHING) 100 MILLIAMPS @ 24V DC, MIN (SWITCHING) 0.10 MICROAMPS @1 MILLIVOLT, MAX (NON-SWITCHING) 1 AMP @ 5V DC INITIAL
CONTACT RESISTANCE: 50 MILLIOHMS MAX.
INSULATION RESISTANCE: 100 MEGOHMS MIN. @ 100 VDC.
DIELECTRIC STRENGTH: 500 VAC. LIFE EXPECTANCY: 1000 CYCLES MIN.

MECHANICAL:
ACTUATION FORCE: 800g MAX.

ENVIRONMENTAL:
OPERATING TEMPERATURE: -22°F TO +185°F (-30°C TO +85°C).
STORAGE TEMPERATURE: -49°F TO +212°F (-45°C TO +100°C).
SOLDER HEAT RESISTANCE TO 265±3°C FOR 8±2 SECONDS.
SOLDERABILITY PER JIS C 0050 & JIS C 0053

- CONTACT PRESSURE: 280,000 PSI.
 - CLEANING: AQUEOUS SOLUTION OR SOLVENT.
 - PACKAGING OPTIONS- CLEAR TUBES OR TAPE AND REEL PER EIA-481 SWITCH SUPPLIED IN THE "OFF" POSITION UNLESS "ON" IS SPECIFIED IN THE ALCO PART NUMBER (SEE PART NUMBER TABLE FOR ALL OPTIONS)
 - TOP & FRONT SURFACES TO BE CLEARLY MARKED AS SHOWN.
 - SWITCHES TO BE BLACK WITH WHITE ACTUATORS AND MARKINGS.
 - ALL MATERIAL AND FINISHES SHALL COMPLY WITH EU DIRECTIVE 2002/95/EC OF 27JAN2003 (ROHS)
- ⚠ OBSOLETE PARTS: OBSOLETE CIS STREAMLINING PER D.RENAUD/D.SINISI

SEE SHEET 2 FOR SURFACE MOUNT OPTIONS AND DIMENSIONS.

STATUS	DESCRIPTION	QTY	DIM L	OLD T&B P/N	P/N
OBSOLETE	TAPE & REEL	2	7.06 [.278]	ADPA02STR04	6-1571999-5
OBSOLETE	TUBE	10	27.38 [1.078]	ADPA10SA04	6-1571999-4
OBSOLETE	TUBE	10	27.38 [1.078]	ADPA10S04	6-1571999-3
OBSOLETE	TUBE	10	27.38 [1.078]	ADPA1004	6-1571999-2
OBSOLETE	TUBE	9	24.84 [.978]	ADPA09SA04	6-1571999-1
OBSOLETE	TUBE	9	24.84 [.978]	ADPA09S04	6-1571999-0
OBSOLETE	TUBE	9	24.84 [.978]	ADPA0904	5-1571999-9
OBSOLETE	TUBE	8	22.30 [.878]	ADPA08SA04	5-1571999-8
OBSOLETE	TUBE	8	22.30 [.878]	ADPA08S04	5-1571999-7
OBSOLETE	TUBE	8	22.30 [.878]	ADPA0804	5-1571999-6
OBSOLETE	TUBE	7	19.76 [.778]	ADPA07SA04	5-1571999-5
OBSOLETE	TUBE	7	19.76 [.778]	ADPA07S04	5-1571999-4
OBSOLETE	TUBE	7	19.76 [.778]	ADPA0704	5-1571999-3
OBSOLETE	TUBE	6	17.22 [.678]	ADPA06SA04	5-1571999-2
OBSOLETE	TUBE	6	17.22 [.678]	ADPA06S04	5-1571999-1
OBSOLETE	TUBE	6	17.22 [.678]	ADPA0604	5-1571999-0
OBSOLETE	TUBE	5	14.68 [.578]	ADPA05SA04	4-1571999-9
OBSOLETE	TUBE	5	14.68 [.578]	ADPA05S04	4-1571999-8
OBSOLETE	TUBE	5	14.68 [.578]	ADPA0504	4-1571999-7
OBSOLETE	TUBE	4	12.14 [.478]	ADPA04SA04	4-1571999-6
OBSOLETE	TUBE	4	12.14 [.478]	ADPA04S04	4-1571999-5
OBSOLETE	TUBE	4	12.14 [.478]	ADPA0404	4-1571999-4
OBSOLETE	TUBE	2	7.06 [.278]	ADPA02SA04	4-1571999-3
OBSOLETE	TUBE	2	7.06 [.278]	ADPA02S04	4-1571999-2
OBSOLETE	TUBE	2	7.06 [.278]	ADPA0204	4-1571999-1
OBSOLETE	TAPE & REEL SWITCH ON	10	27.38 [1.078]	ADP10STR04	4-1571999-0
OBSOLETE	TAPE & REEL	10	27.38 [1.078]	ADP10S04	3-1571999-9
OBSOLETE	TUBE	10	27.38 [1.078]	ADP10SA04	3-1571999-8
OBSOLETE	TUBE	10	27.38 [1.078]	ADP10S04	3-1571999-7
OBSOLETE	TUBE	10	27.38 [1.078]	ADP1004	3-1571999-6
OBSOLETE	TAPE & REEL SWITCH ON	9	24.84 [.978]	ADP09STR04	3-1571999-5
OBSOLETE	TAPE & REEL	9	24.84 [.978]	ADP09S04	3-1571999-4
OBSOLETE	TUBE	9	24.84 [.978]	ADP09SA04	3-1571999-3
OBSOLETE	TUBE	9	24.84 [.978]	ADP09S04	3-1571999-2
OBSOLETE	TUBE	9	24.84 [.978]	ADP0904	3-1571999-1
OBSOLETE	TAPE & REEL SWITCH ON	8	22.30 [.878]	ADP08STR04	3-1571999-0
OBSOLETE	TAPE & REEL	8	22.30 [.878]	ADP08S04	2-1571999-9
OBSOLETE	TUBE	8	22.30 [.878]	ADP08SA04	2-1571999-8
OBSOLETE	TUBE	8	22.30 [.878]	ADP08S04	2-1571999-7
OBSOLETE	TUBE	8	22.30 [.878]	ADP0804	2-1571999-6
OBSOLETE	TAPE & REEL SWITCH ON	7	19.76 [.778]	ADP07STR04	2-1571999-5
OBSOLETE	TAPE & REEL	7	19.76 [.778]	ADP07S04	2-1571999-4
OBSOLETE	TUBE	7	19.76 [.778]	ADP07SA04	2-1571999-3
OBSOLETE	TUBE	7	19.76 [.778]	ADP07S04	2-1571999-2
OBSOLETE	TUBE	7	19.76 [.778]	ADP0704	2-1571999-1
OBSOLETE	TAPE & REEL SWITCH ON	6	17.22 [.678]	ADP06STR04	2-1571999-0
OBSOLETE	TAPE & REEL	6	17.22 [.678]	ADP06S04	1-1571999-9
OBSOLETE	TUBE	6	17.22 [.678]	ADP06SA04	1-1571999-8
OBSOLETE	TUBE	6	17.22 [.678]	ADP06S04	1-1571999-7
OBSOLETE	TUBE	6	17.22 [.678]	ADP0604	1-1571999-6
OBSOLETE	TAPE & REEL SWITCH ON	5	14.68 [.578]	ADP05STR04	1-1571999-5
OBSOLETE	TAPE & REEL	5	14.68 [.578]	ADP05S04	1-1571999-4
OBSOLETE	TUBE	5	14.68 [.578]	ADP05SA04	1-1571999-3
OBSOLETE	TUBE	5	14.68 [.578]	ADP05S04	1-1571999-2
OBSOLETE	TUBE	5	14.68 [.578]	ADP0504	1-1571999-1
OBSOLETE	TAPE & REEL SWITCH ON	4	12.14 [.478]	ADP04STR04	1-1571999-0
OBSOLETE	TAPE & REEL	4	12.14 [.478]	ADP04S04	1571999-9
OBSOLETE	TUBE	4	12.14 [.478]	ADP04SA04	1571999-8
OBSOLETE	TUBE	4	12.14 [.478]	ADP04S04	1571999-7
OBSOLETE	TUBE	4	12.14 [.478]	ADP0404	1571999-6
OBSOLETE	TAPE & REEL SWITCH ON	2	7.00 [.276]	ADP02STR04	1571999-5
OBSOLETE	TAPE & REEL	2	7.00±0.50 [.276±.020]	ADP02S04	1571999-4
OBSOLETE	TUBE	2	7.00±0.50 [.276±.020]	ADP02SA04	1571999-3
OBSOLETE	TUBE	2	7.00±0.50 [.276±.020]	ADP02S04	1571999-2
OBSOLETE	TUBE	2	7.00±0.50 [.276±.020]	ADP0204	1571999-1

THIS DRAWING IS A CONTROLLED DOCUMENT.

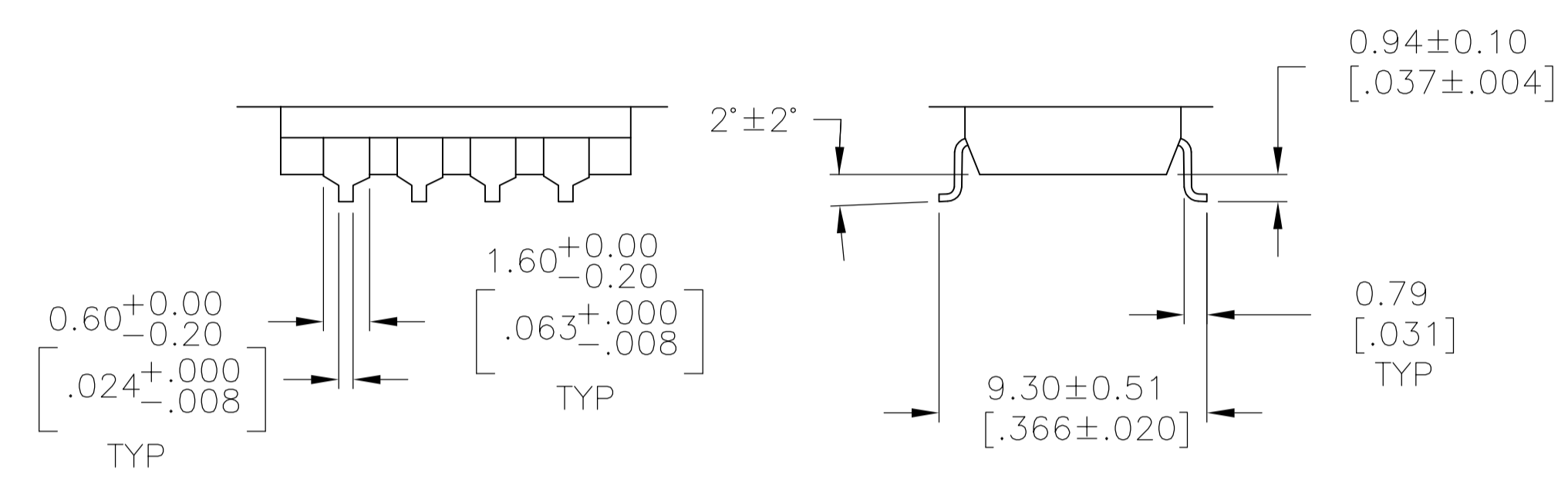
OWN: M. BINNER 14FEB05
CHK: M. SARVER 15FEB05
APVD: M. SARVER 15FEB05

TE Connectivity

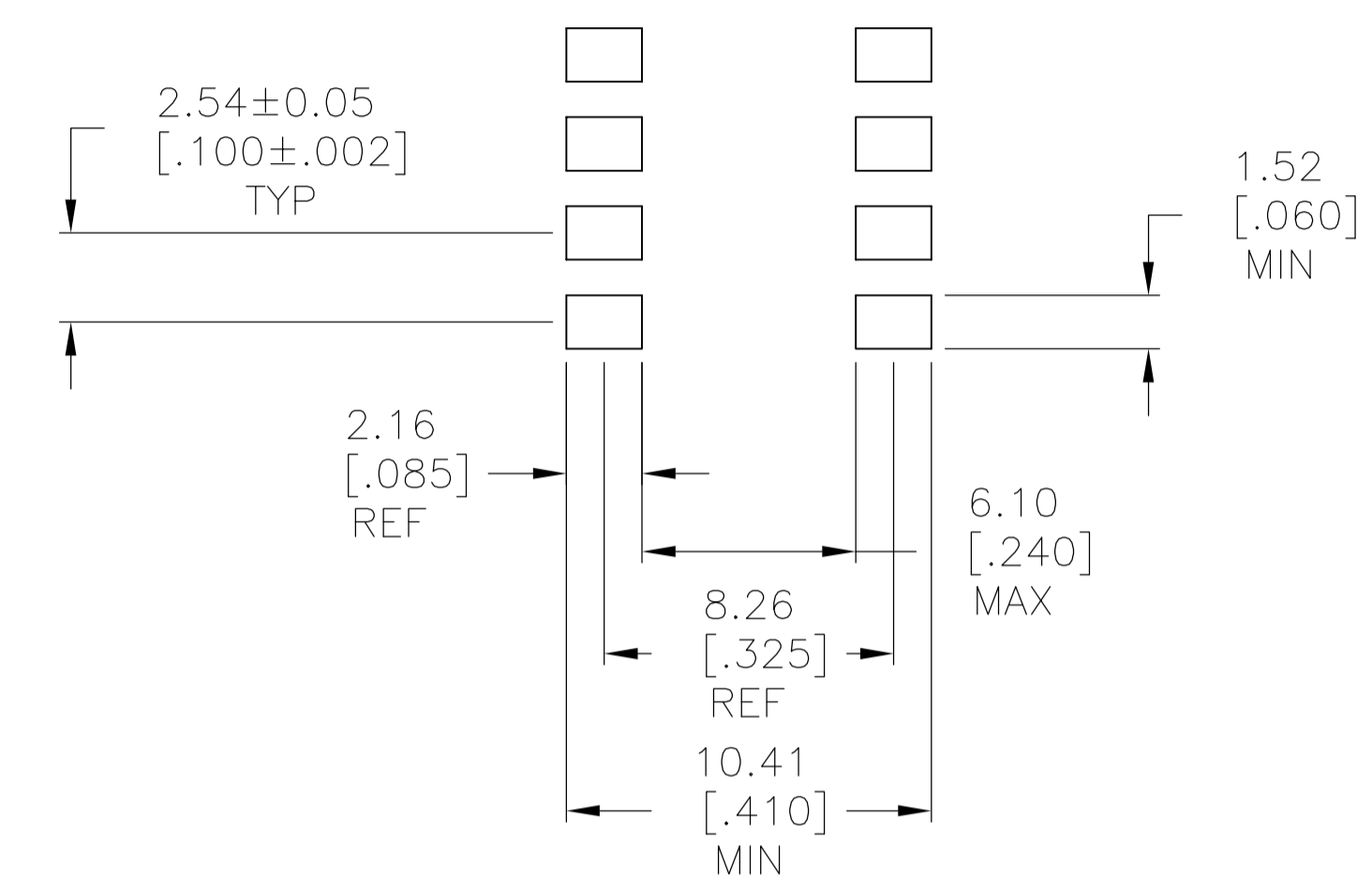
DIP SWITCH ASSEMBLY
ADP/PA SERIES

SIZE: A1 GAGE CODE: C=1571999
SCALE: 1:1 SHEET: 1 OF 2 REV: D6

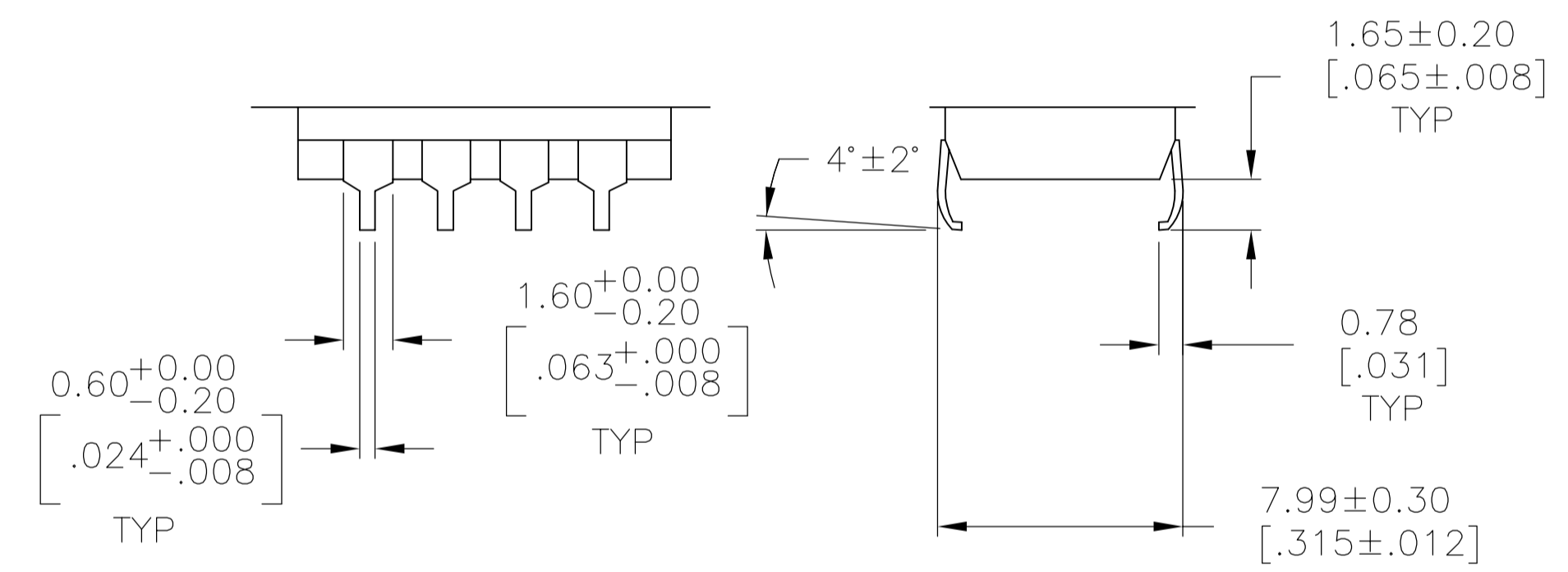
REVISIONS				
P	LTR	DESCRIPTION	DATE	APP'D
-	-	SEE SHEET 1	-	-



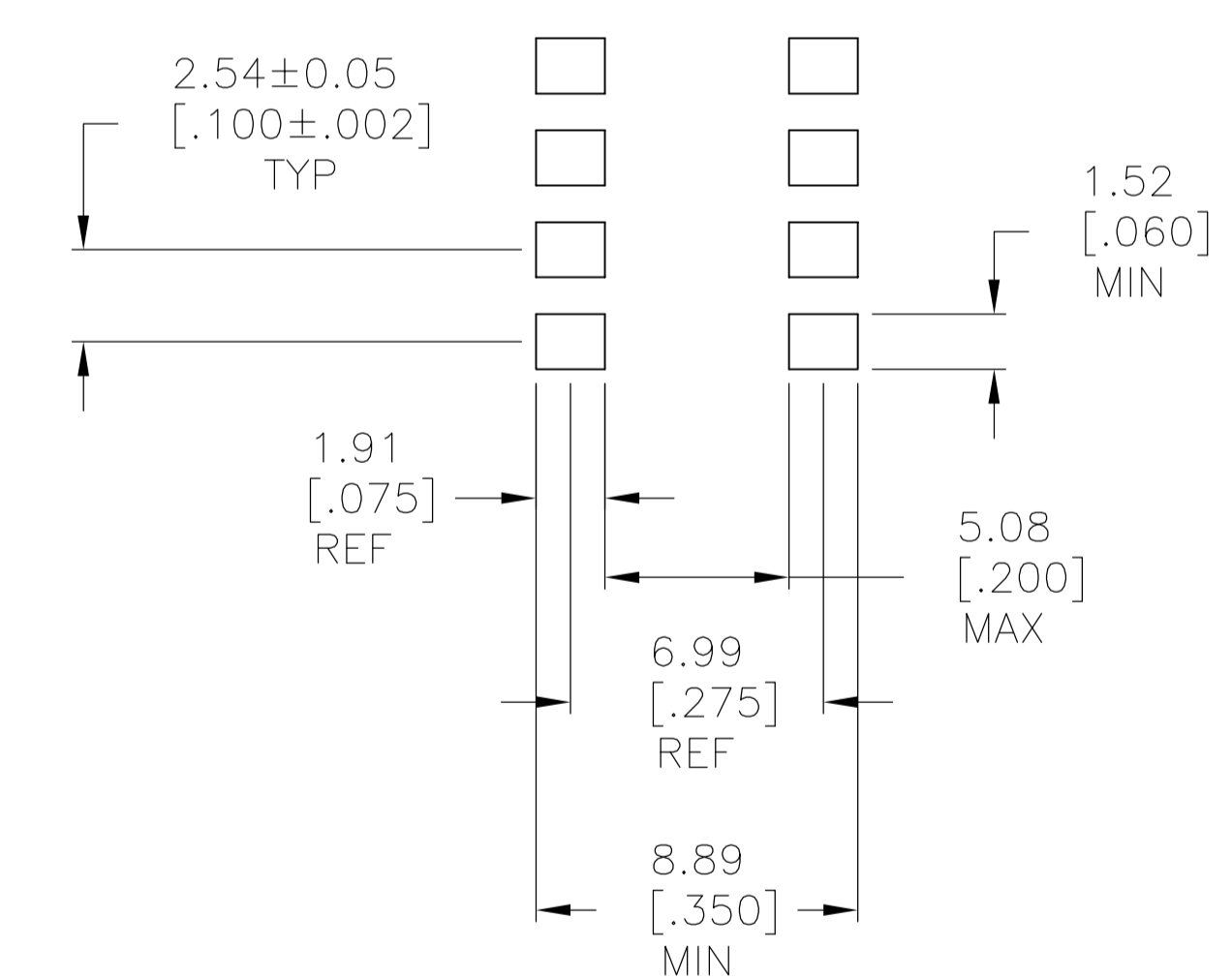
SURFACE MOUNT
S TERMINATION



RECOMMENDED PAD LAYOUT
SURFACE MOUNT
"S" TERMINATION



SURFACE MOUNT
SA TERMINATION



RECOMMENDED PAD LAYOUT
SURFACE MOUNT
"SA" TERMINATION

THIS DRAWING IS A CONTROLLED DOCUMENT.		OWN M. BINNER 14FEB05	TE Connectivity	
DIMENSIONS: mm [INCHES]		CHK M. SARVER 15FEB05		
TOLERANCES UNLESS OTHERWISE SPECIFIED:		APVD M. SARVER 15FEB05	NAME DIP SWITCH ASSEMBLY ADP/PA SERIES	
0 PLC ± -	1 PLC ± -	PRODUCT SPEC	SIZE GAGE CODE DRAWING NO	
2 PLC ± -	3 PLC ± .012[0.31]	APPLICATION SPEC	RESTRICTED TO	
4 PLC ± -	ANGLES ± 1°	WEIGHT	A1 00779 C=1571999	
MATERIAL -	FINISH -	CUSTOMER DRAWING	SCALE 1:1	SHEET 2 OF 2 REV D6

单击下面可查看定价，库存，交付和生命周期等信息

[>>TE Connectivity\(泰科\)](#)