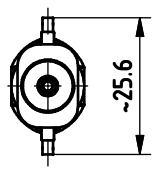
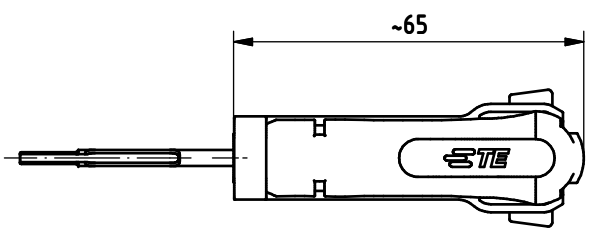
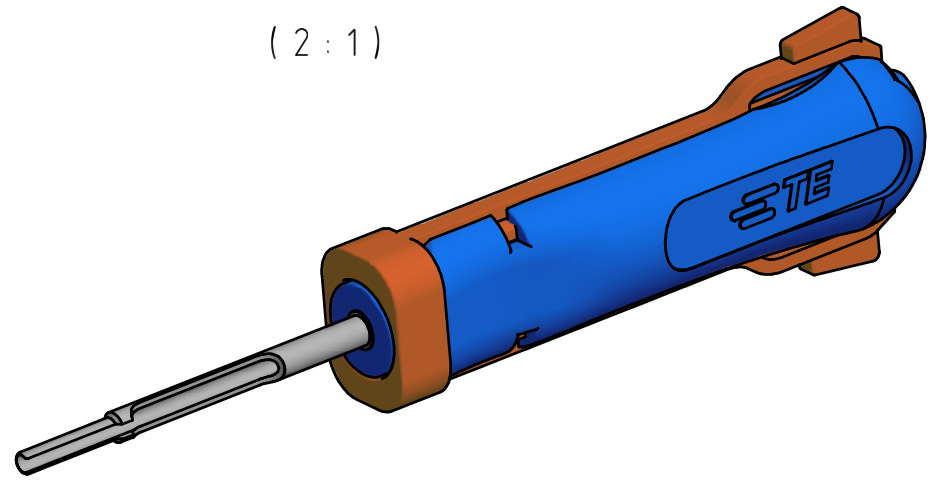
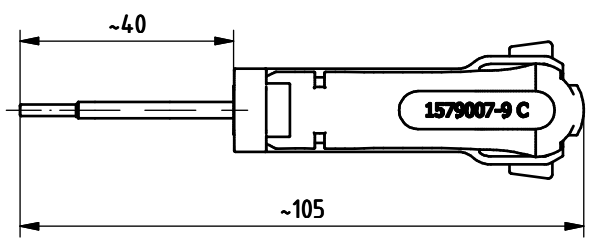
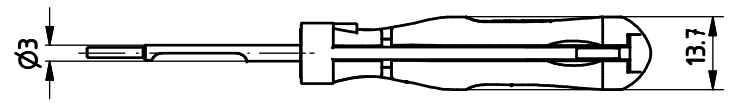


LOC	DIST	REVISIONS					
AI	00	P	LTR	DESCRIPTION	DATE	DWN	APVD
				C1 ECR-17-007748	30MAY17	KH	BM



(2:1)



APPLICATION RANGE / Anwendungsbereich:

COSI PIN CONTACT HD20 DF, 166053-1
 24-20 AWG
 24-20 AWG HD-20 SOCKET 166051-1

SOCKET HOUSING HD

THIS DRAWING IS A CONTROLLED DOCUMENT.		DWN	J. Zajicek	02APR03	TE Connectivity		
DIMENSIONS: mm		CHK	J. Zajicek	28APR04			
TOLERANCES UNLESS OTHERWISE SPECIFIED:		APVD	J. Zajicek	28APR04	NAME		
0 PLC ± 1 PLC ± 2 PLC ± 3 PLC ± 4 PLC ± ANGLES ±		PRODUCT SPEC		EXTRACTION TOOL			
MATERIAL		APPLICATION SPEC		ENTRIEGELUNGSWERKZEUG			
FINISH		Gewicht / Weight in Kg		SIZE	CAGE CODE	DRAWING NO	RESTRICTED TO
		0.009		A3	00779	1579007-9	
CUSTOMER DRAWING				SCALE	1:1	SHEET	1 OF 1
				REV		C1	

单击下面可查看定价，库存，交付和生命周期等信息

[>>TE Connectivity\(泰科\)](#)

[>>点击查看相关商品](#)