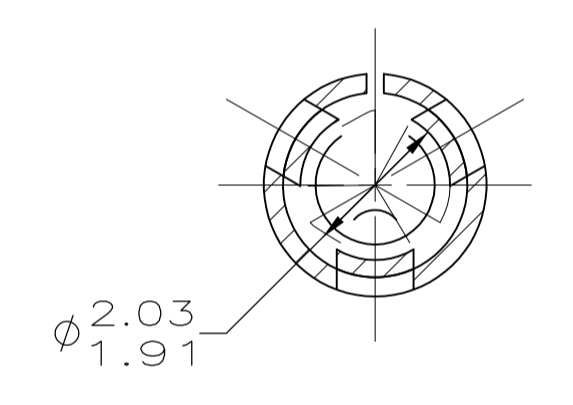
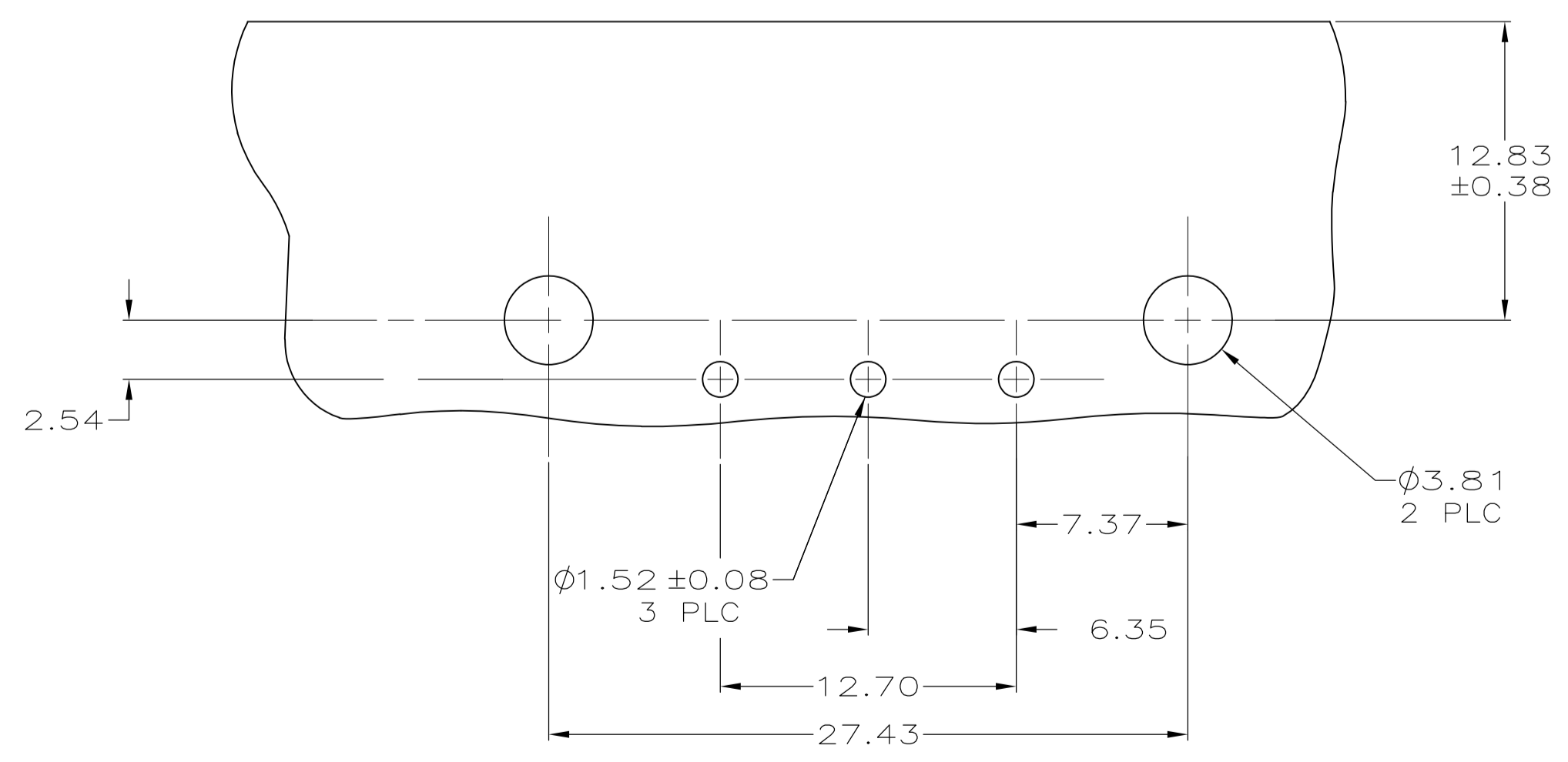


SECTION B-B



SECTION A-A  
SCALE 10:1



RECOMMENDED MOUNTING HOLE PATTERN FOR 1.57 THICK P.C. BOARD

- PARTS COMPLY WITH TE SOLDERABILITY SPECIFICATION 109-11-5.
- CIRCUIT IDENTIFICATION CHARACTERS ARE ADJACENT TO THE INDICATED CAVITIES, BUT LOCATION AND ORIENTATION MAY DIFFER FROM PRINT.
- FLAMMABILITY V2 FOR THICKNESS 0.38mm, 1.5mm, and 3.0mm PER IEC 60695-11-10.
- GLOW-WIRE FLAMMABILITY (GWI) 800°C FOR THICKNESS 0.38mm AND 0.75mm PER IEC 60695-2-12.
- GLOW-WIRE FLAMMABILITY (GWI) 960°C FOR THICKNESS 1.5mm AND 3.0mm PER IEC 60695-2-12.
- GLOW-WIRE IGNITION (GWI) 825°C FOR THICKNESS 0.38mm, 0.75mm, 1.5mm AND 3.0mm PER IEC 60695-2-13.
- MATERIAL CORRESPONDING TO THE REQUIREMENT OF IEC 60335. (INL GLOW WIRE TEST 750°C WITHOUT FLAME)
- PRELIMINARY PART NOT RELEASED FOR PRODUCTION.

2.54	.100		
2.03	.080	37.97	1.495
1.91	.075	27.43	1.080
1.57	.062	20.32	.800
1.52	.060	17.27	.680
1.27	.050	12.83	.505
0.38	.015	12.70	.500
0.25	.010	9.14	.360
0.13	.005	7.37	.290
0.08	.003	6.35	.250
0.00127	.000050	4.06	.160
0.00076	.000030	3.81	.150
MM	IN	MM	IN

CONVERSION TABLE

PH BRZ,TIN	NYLON UL 94V-0	1586893-3
PH BRZ,TIN	NYLON UL 94V-2	1586893-1
CONTACT	HOUSING	PART NUMBER

THIS DRAWING IS A CONTROLLED DOCUMENT.		DIN K. WHITAKER 14MAR2008	TE Connectivity
DIMENSIONS: mm		CHK D. COLEY 14MARCH2008	
TOLERANCES UNLESS OTHERWISE SPECIFIED:		APVD D. COLEY 14MAR2008	NAME
0 PLC ± -	1 PLC ± -	PRODUCT SPEC	SOCKET HEADER ASSEMBLY, RIGHT ANGLE MOUNT, 3 POSITION, UNIVERSAL MATE-N-LOK(TM)
2 PLC ± 0.13	3 PLC ± -	APPLICATION SPEC	SIZE
4 PLC ± -	ANGLES ± -	114-1010	SCALE
MATERIAL SEE TABLE		WEIGHT	RESTRICTED TO
FINISH SEE TABLE		A1 00779 1586893	SCALE 4:1 SHEET 1 OF 1 REV B4
CUSTOMER DRAWING			

单击下面可查看定价，库存，交付和生命周期等信息

[>>TE Connectivity\(泰科\)](#)