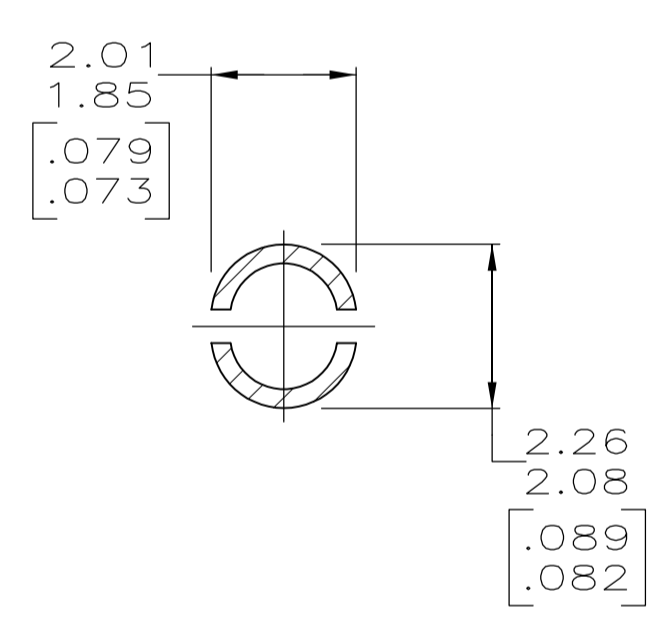
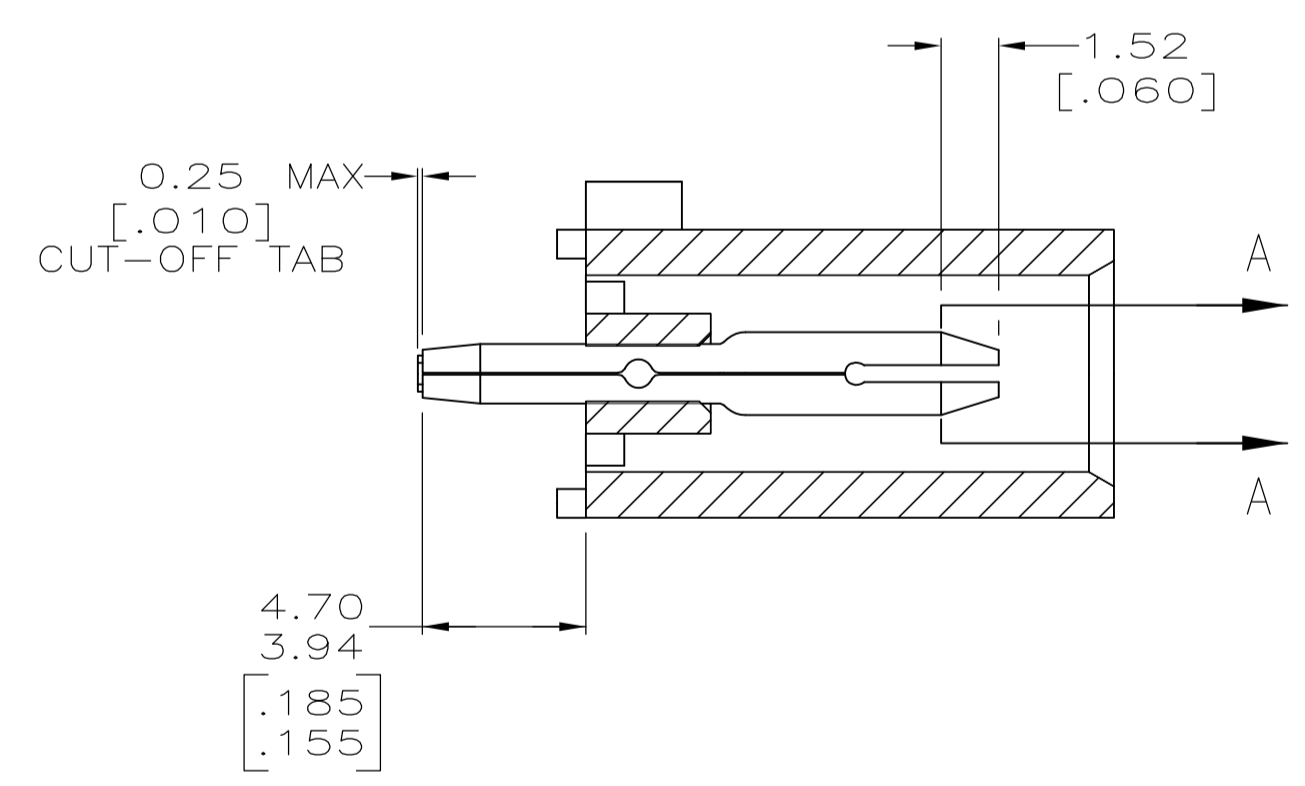
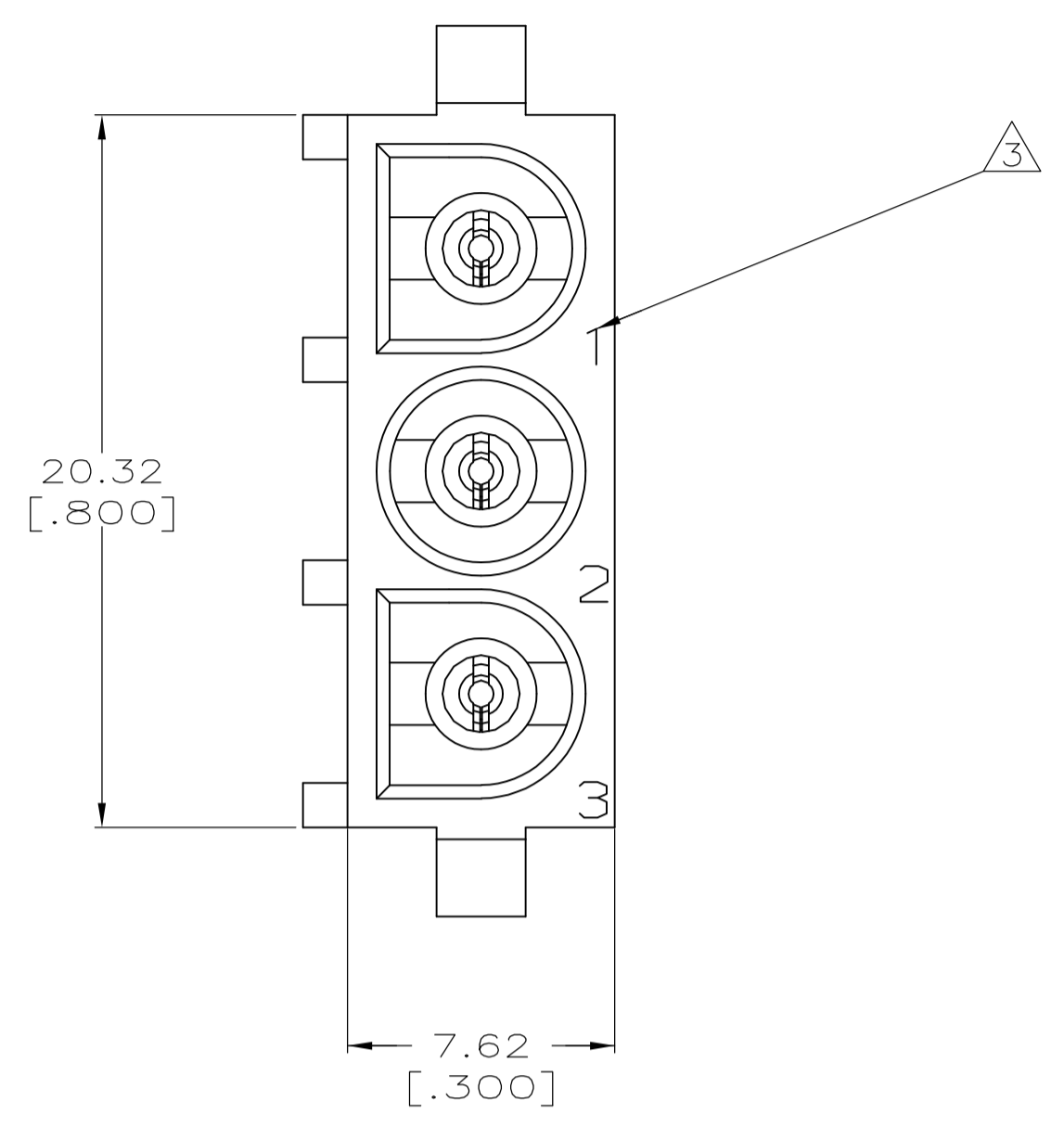
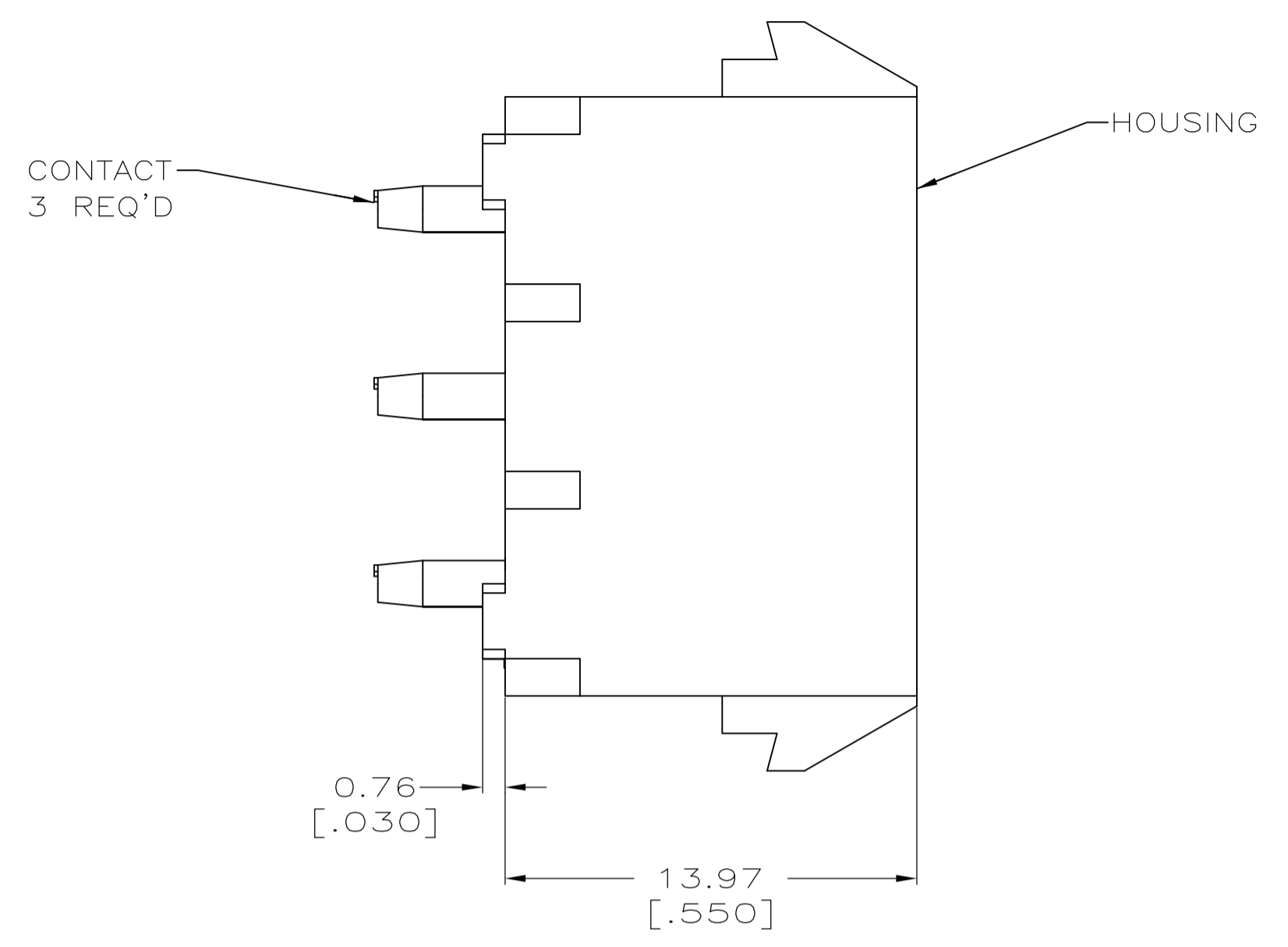
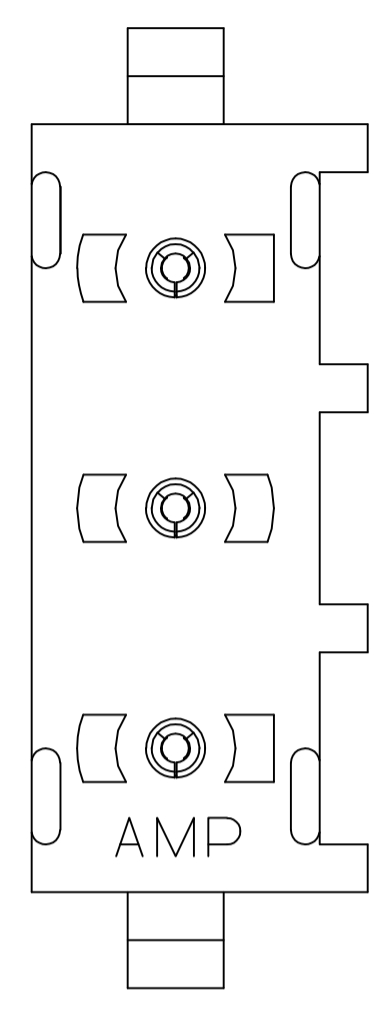
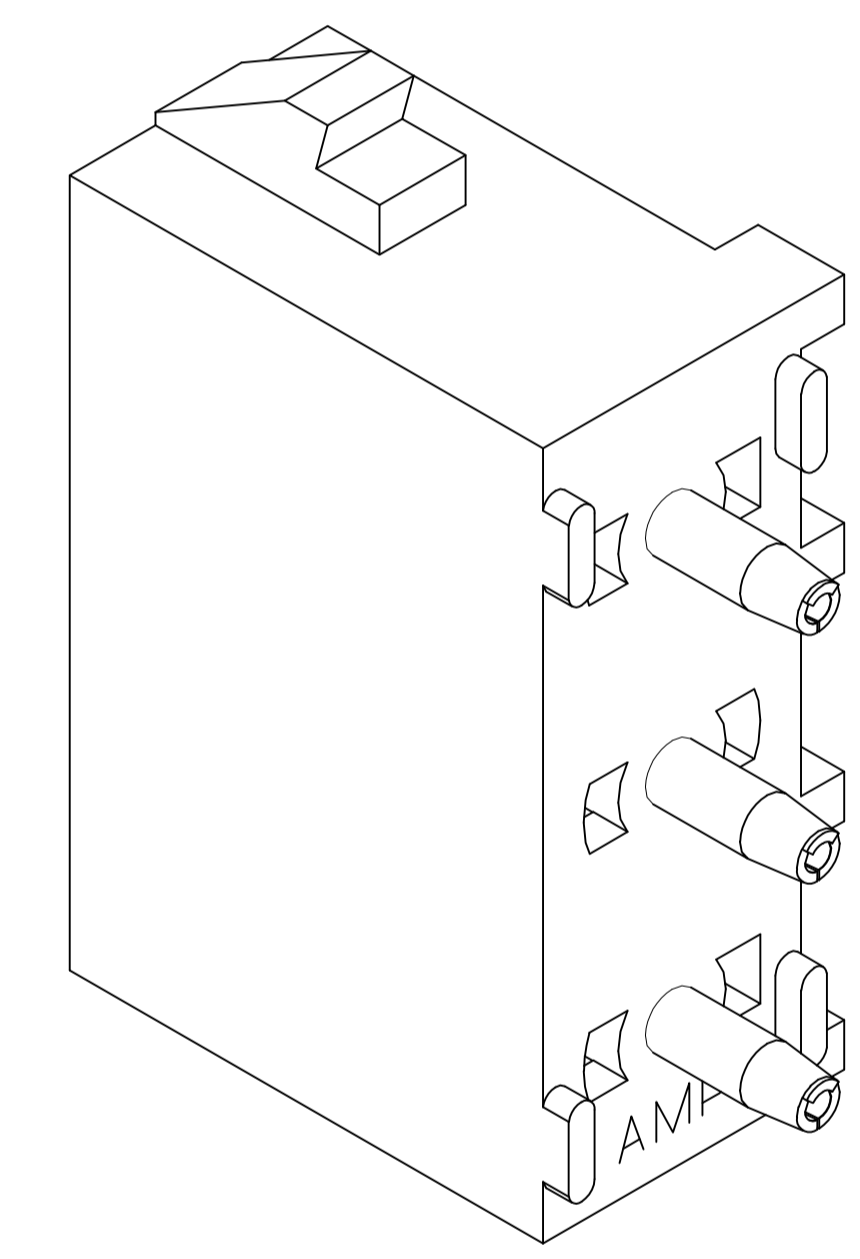


| REVISIONS |                       |             |           |     |      |
|-----------|-----------------------|-------------|-----------|-----|------|
| P         | LTR                   | DESCRIPTION | DATE      | DMN | APVD |
| B1        | REV PER ECO-17-007882 |             | 31MAY2017 | RS  | KR   |

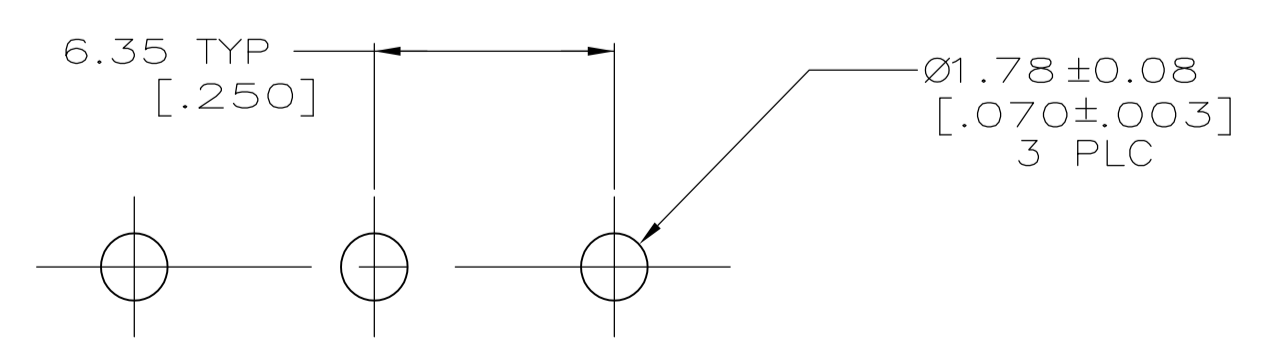
- PARTS COMPLY TO AMP SOLDERABILITY SPECIFICATION 109-11-3.
- DIMENSIONS IN BRACKETS ARE IN INCHES.
- CIRCUIT IDENTIFICATION CHARACTERS ARE ADJACENT TO THE INDICATED CAVITIES, BUT LOCATION AND ORIENTATION MAY DIFFER FROM PRINT.
- FLAMMABILITY V2 FOR THICKNESS 0.38mm, 1.5mm, and 3.0mm PER IEC 60695-11-10.
- GLOW-WIRE FLAMMABILITY (GWFI) 930°C FOR THICKNESS 0.75mm PER IEC 60695-2-12.
- GLOW-WIRE FLAMMABILITY (GWFI) 960°C FOR THICKNESS 0.38mm, 1.5mm AND 3.0mm PER IEC 60695-2-12.
- GLOW-WIRE IGNITION (GWIT) 825°C FOR THICKNESS 1.5mm AND 3.0mm PER IEC 60695-2-13.
- GLOW-WIRE IGNITION (GWIT) 930°C FOR THICKNESS 0.38mm AND 0.75mm PER IEC 60695-2-13



SECTION A-A  
SCALE 10:1

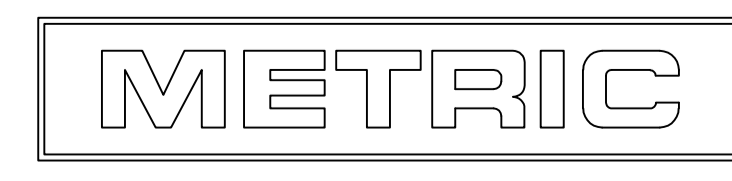


3-DIMENSIONAL MODEL  
NTS



RECOMMENDED MOUNTING HOLE PATTERN  
FOR 1.57 [.062] THICK P.C. BOARD

|                                 |                        |             |
|---------------------------------|------------------------|-------------|
| PHOSPHOR BRONZE, PRE-TIN        | NYLON, UL94V-2,NATURAL | 1586958-1   |
| PIN CONTACT MATERIAL AND FINISH | HOUSING MATERIAL       | PART NUMBER |



|  |                  |  |           |   |                     |
|--|------------------|--|-----------|---|---------------------|
| THIS DRAWING IS A CONTROLLED DOCUMENT. |                  | DIN K. WHITAKER 26JUL2007              |           | TE Connectivity   |                     |
| DIMENSIONS: mm [INCHES]                |                  | TOLERANCES UNLESS OTHERWISE SPECIFIED: |           | NAME: PIN HEADER ASSEMBLY, 3 CIRCUIT UNIVERSAL MATE-N-LOK(TM) |                     |
| 0 PLC ± -                              | 1 PLC ± -        | 2 PLC ± 0.13 [.005]                    | 3 PLC ± - | 4 PLC ± -   | ANGLES ± # 0°30'    |
| MATERIAL SEE TABLE                     | FINISH SEE TABLE | WEIGHT 0.000000                        | SIZE A1   | CAGE CODE 00779   | DRAWING NO. 1586958 |
| CUSTOMER DRAWING                       |                  |  | SCALE 5:1 | SHEET 1 OF 1  | REV B1              |

单击下面可查看定价，库存，交付和生命周期等信息

[>>TE Connectivity\(泰科\)](#)