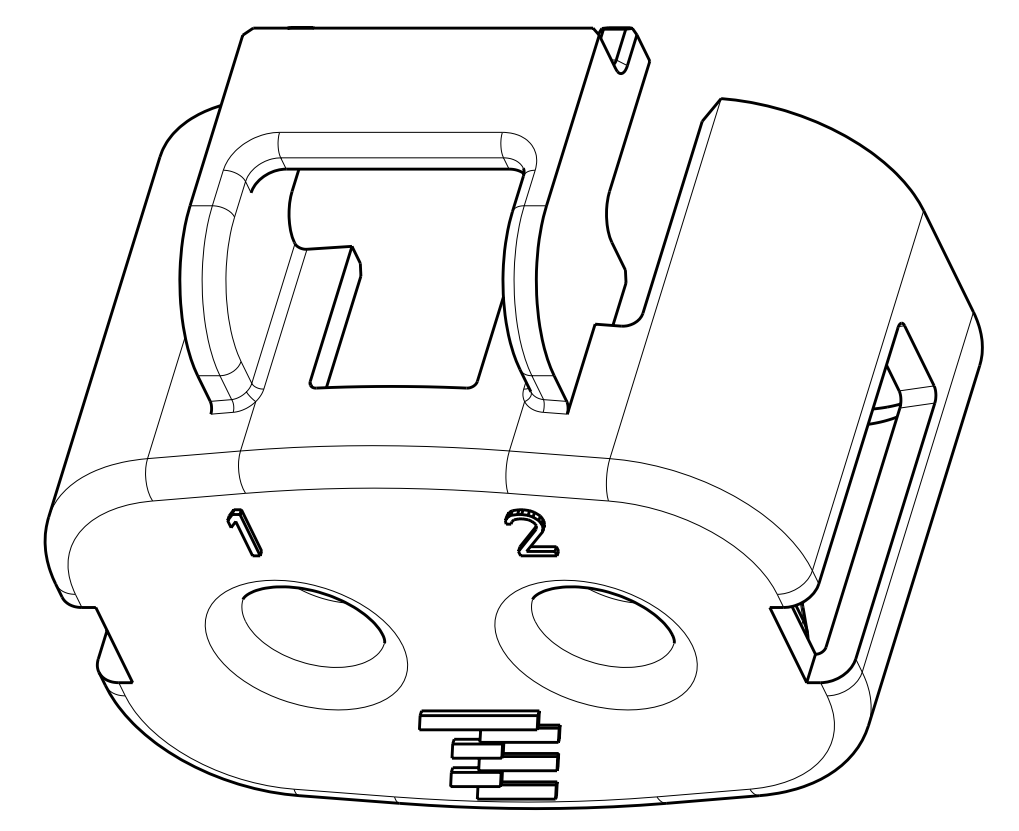
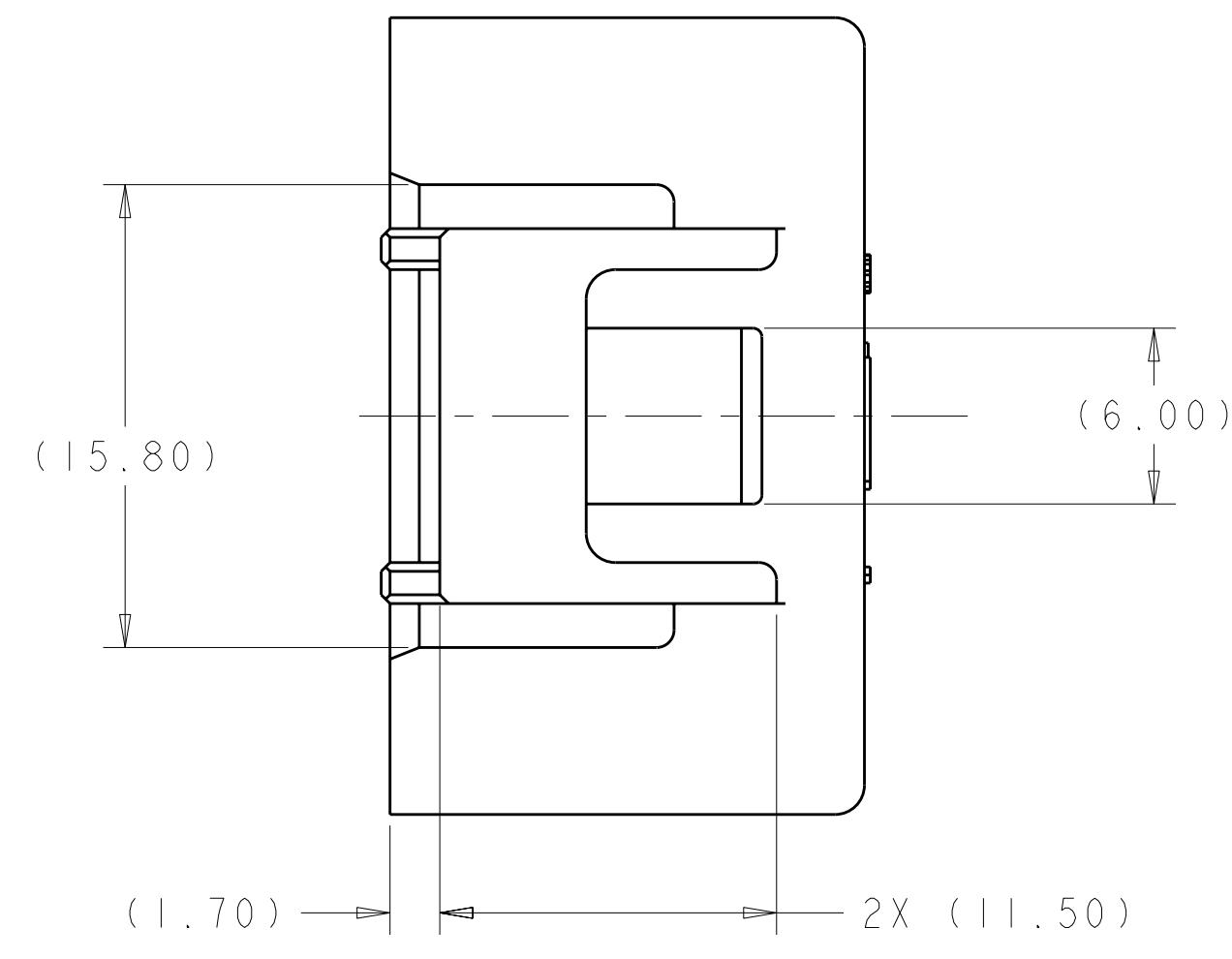
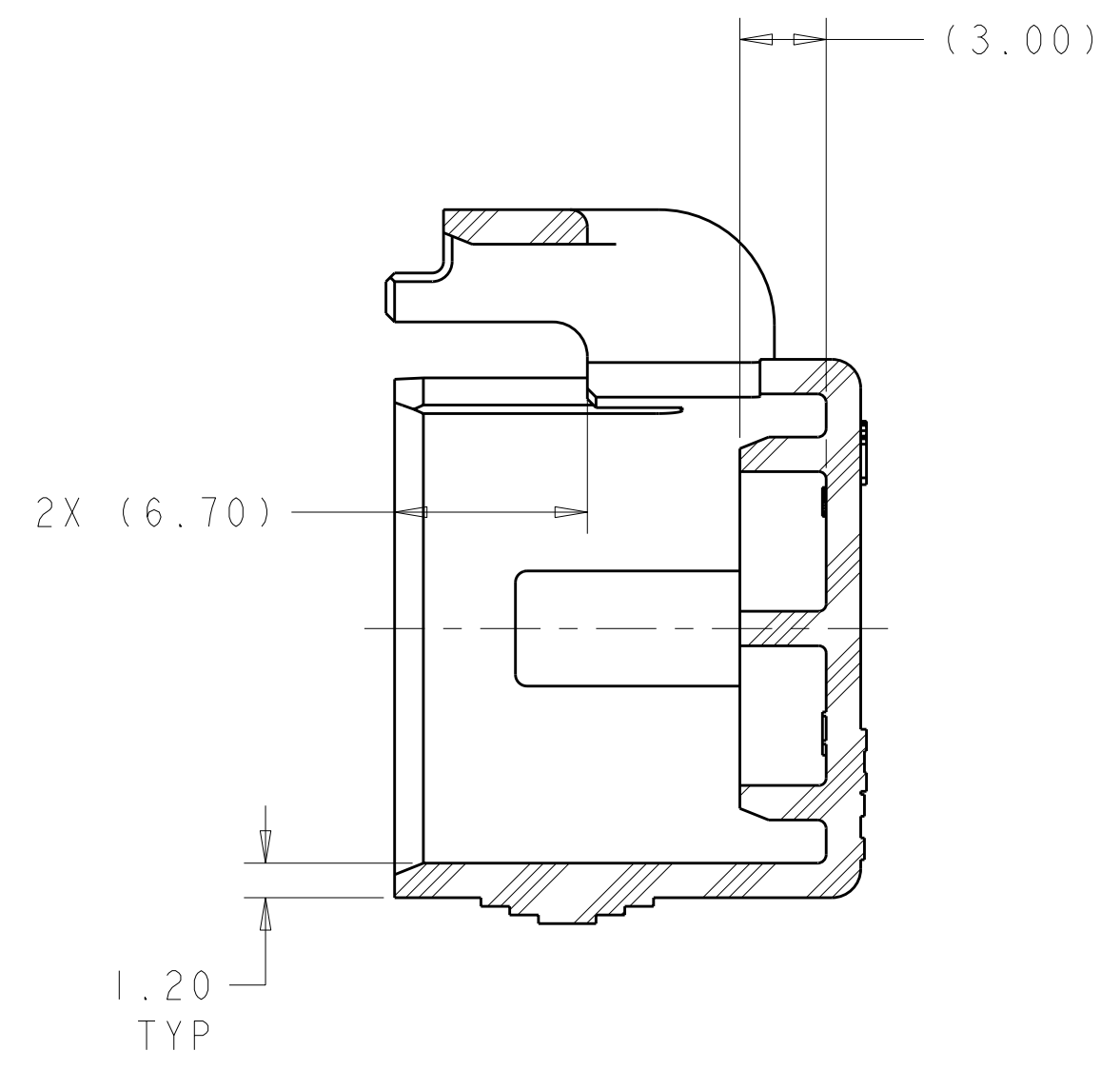
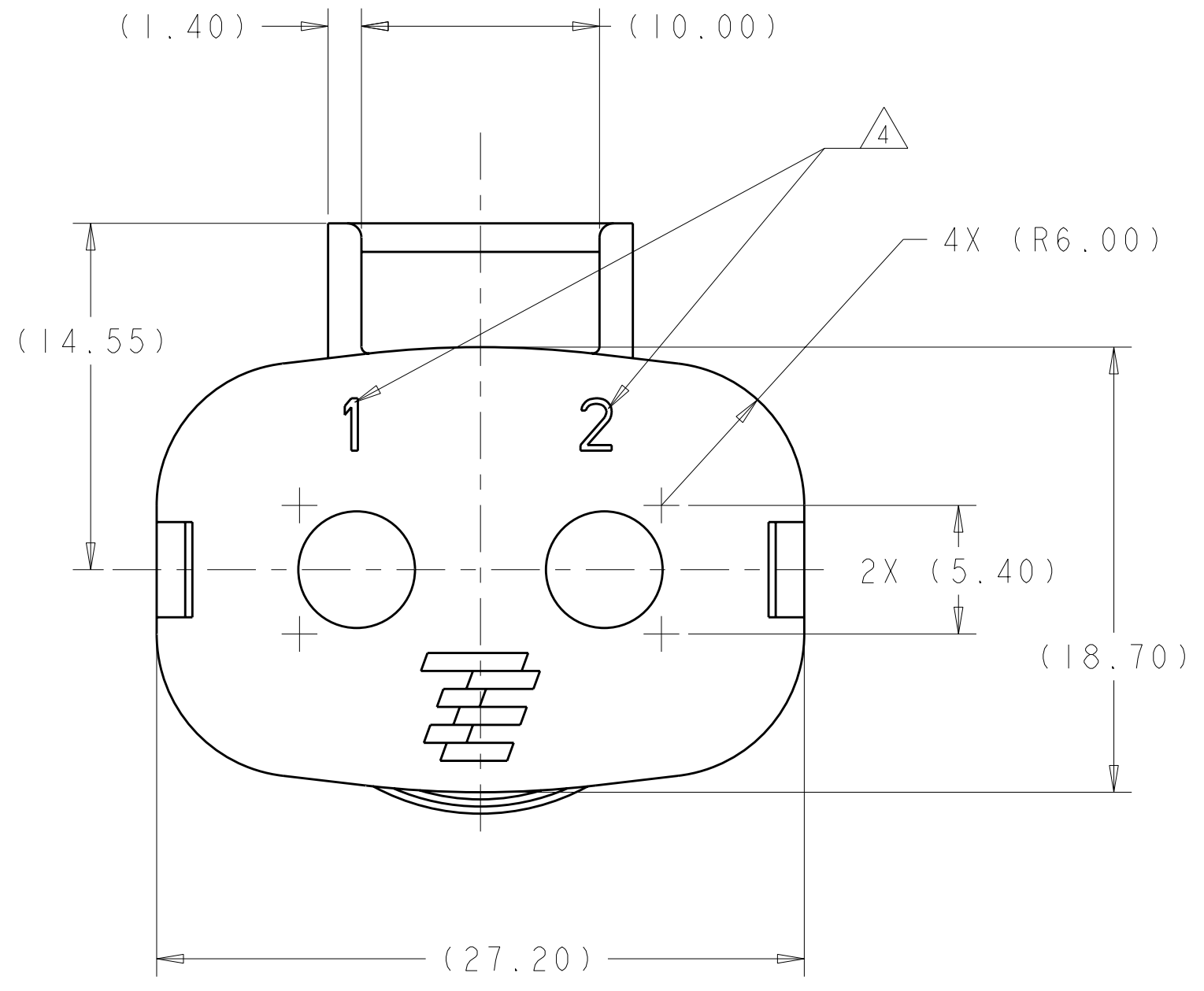
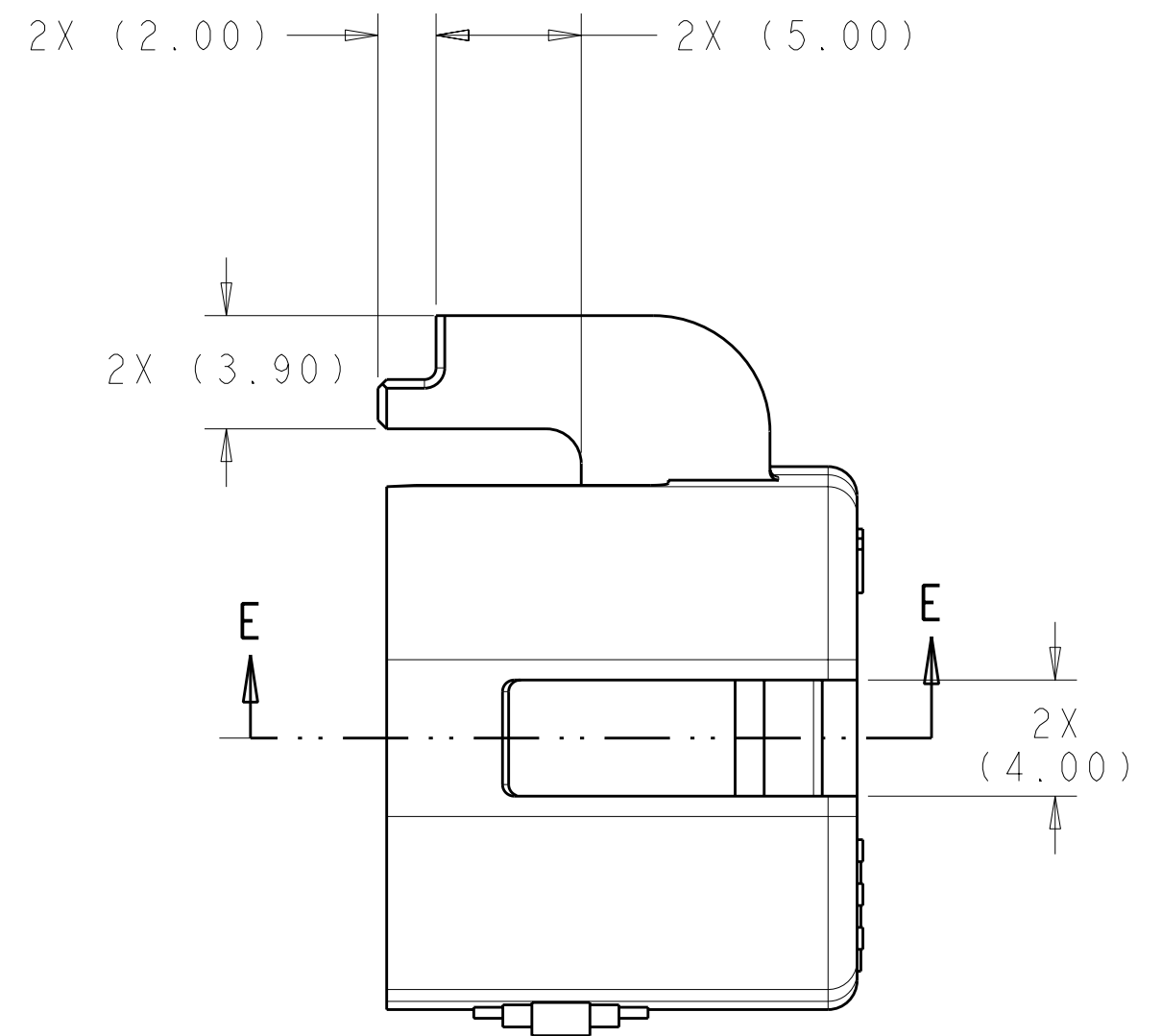
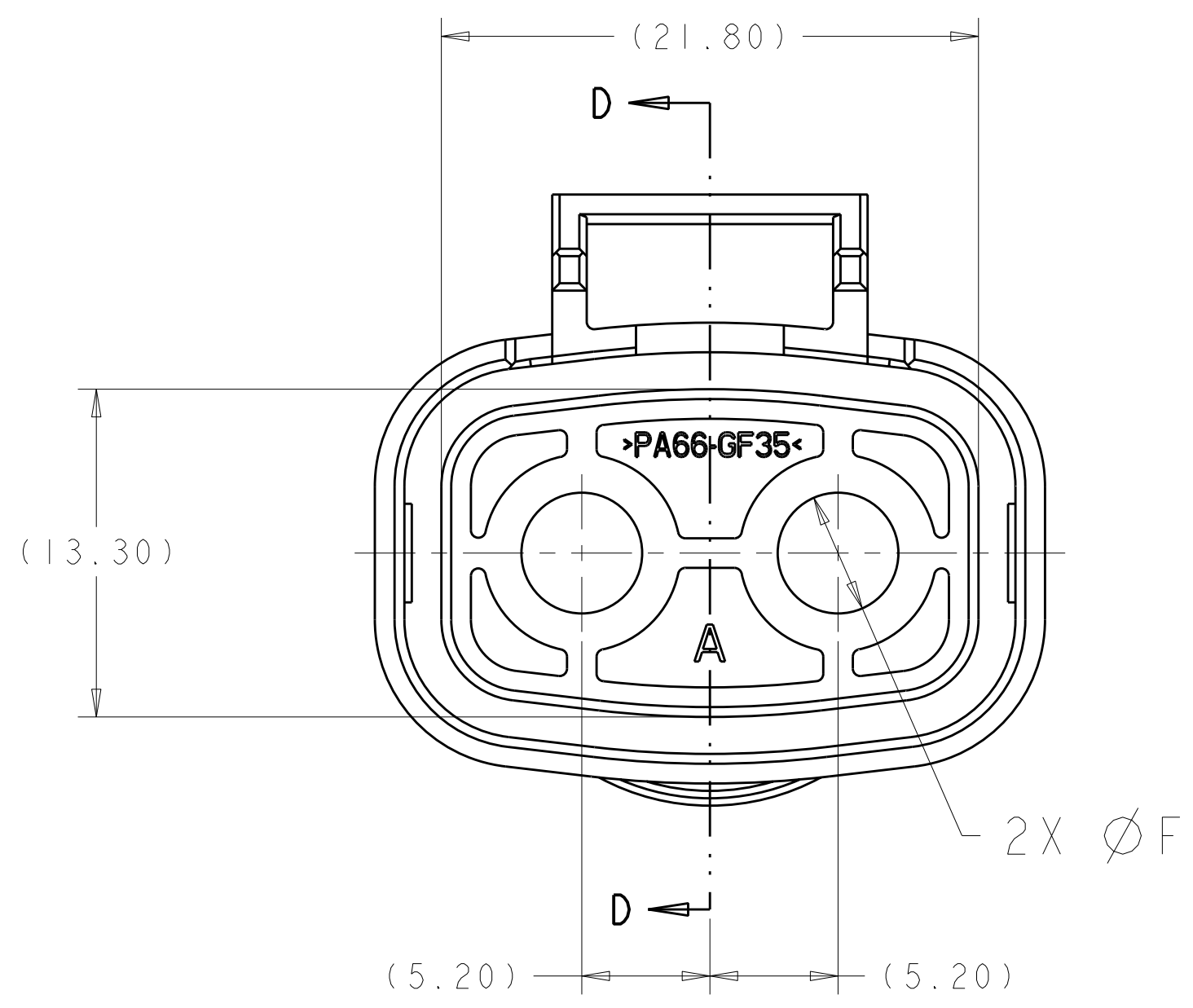


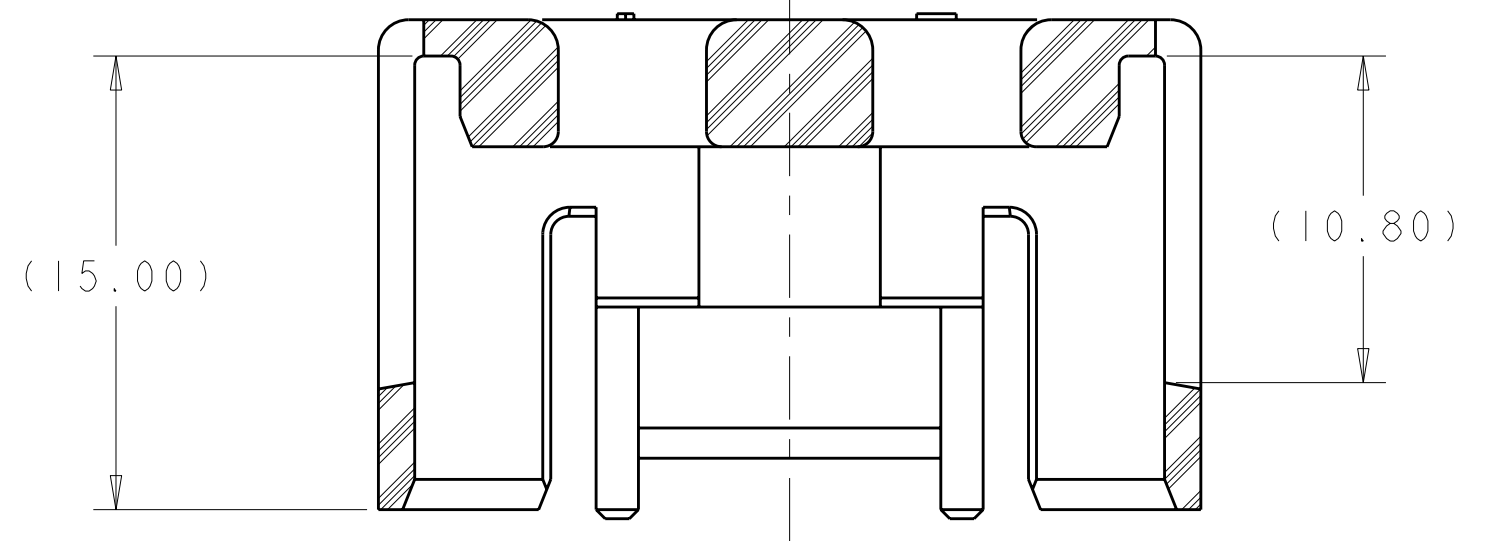
LOC	DIST	REVISIONS			
		REV	DATE	BY	APPD
HV	00	B1	ECO-11-006038	23MAR2011	DS AT



SECTION D-D
REMOVED



- △ MATERIAL :
TYPE : PA66 35%GF
COLOR : SEE TABLE
- 2. FEATURES DENOTED BY REFERENCE DIMENSIONS
MUST BE INSPECTED FOR PRESENCE
- 3. PART MUST BE FREE OF EXCESSIVE FLASH, MIS-MATCH,
SINK MARKS, OR OTHER VISUAL IMPERFECTIONS THAT
MAY AFFECT PRODUCT FIT FORM OR FUNCTION
- △ 4 CIRCUIT ID
- △ 5 PRELIMINARY PART—NOT RELEASED FOR PRODUCTION



SECTION E-E
REMOVED, ROTATED 90° CCW

COLOR	MIN	MAX	F	DESCRIPTION	PART NO
DK GRAY	5.48	6.10	6.20	CABLE SEAL RETAINER, SIZE C	1587827-3
ORANGE	4.76	5.48	5.60	CABLE SEAL RETAINER, SIZE B	1587827-2
BLACK	4.11	4.76	4.90	CABLE SEAL RETAINER, SIZE A	1587827-1

THIS DRAWING IS A CONTROLLED DOCUMENT.

DIMENSIONS:	TOLERANCES UNLESS OTHERWISE SPECIFIED:	DWN	05JUN2009
mm	0 PLC ±.2	CD	D SIMPSON
	1 PLC ±0.2	CHK	A TYLER
	2 PLC ±0.10	APVD	
	3 PLC ±0.100	NAME	
	4 PLC ±0.0001	PRODUCT SPEC	108-2394
	ANGLES ±.1°	APPLICATION SPEC	114-13259
MATERIAL:	FINISH:	SIZE	CAGE CODE
△		WEIGHT	DRAWING NO
		CUSTOMER DRAWING	A100779
		SCALE	4:1
		SHEET	1 OF 1
		REV	B1

STE TE Connectivity
 CABLE SEAL RETAINER
 HVA280-2P1

单击下面可查看定价，库存，交付和生命周期等信息

[>>TE Connectivity\(泰科\)](#)