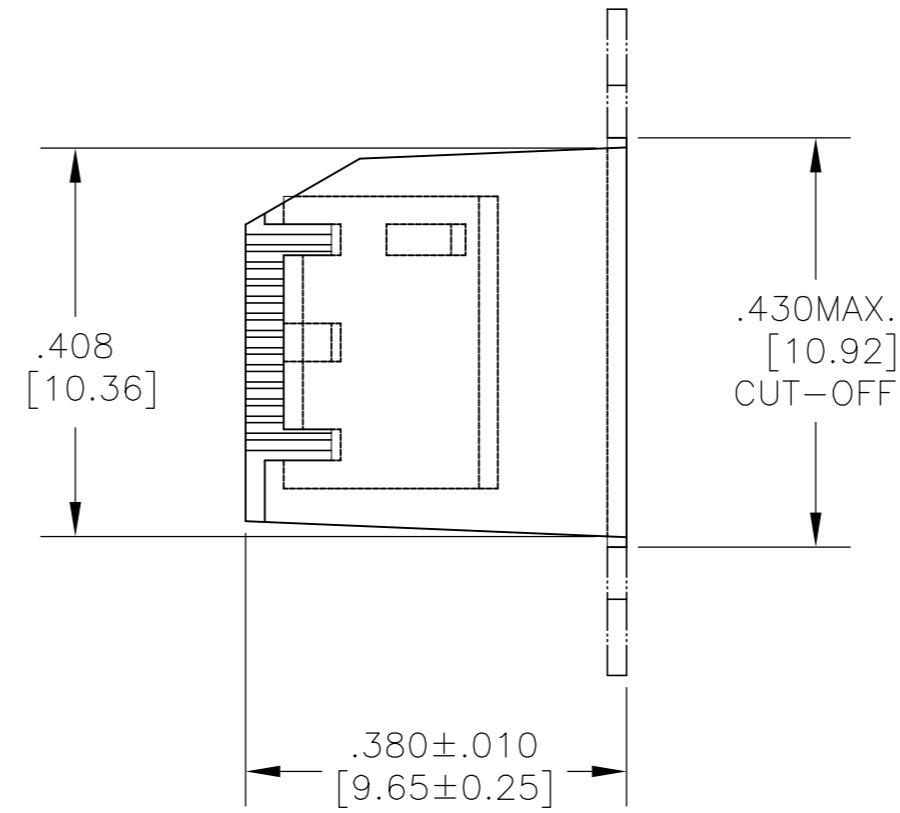
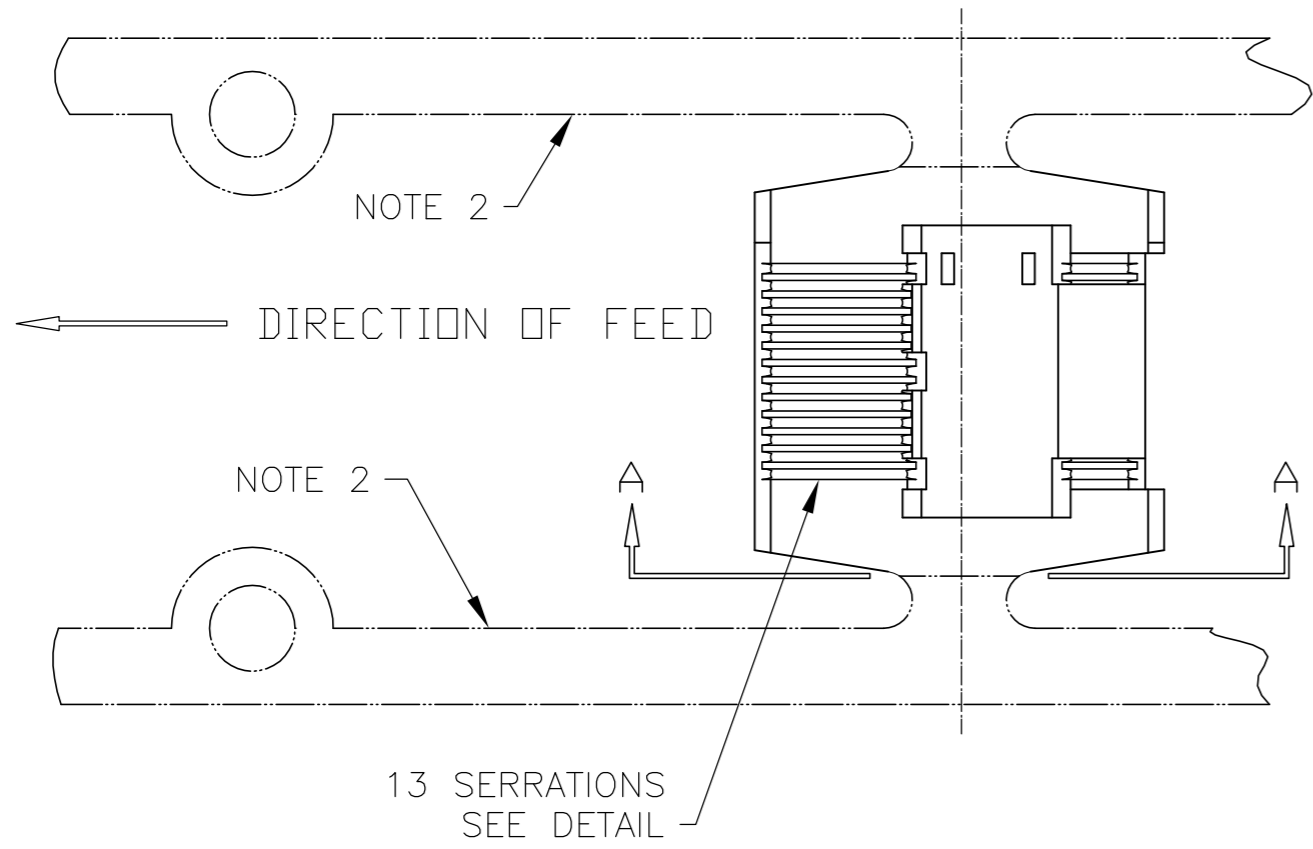


THIS DRAWING IS UNPUBLISHED. RELEASED FOR PUBLICATION
 © COPYRIGHT BY TYCO ELECTRONICS CORPORATION. ALL RIGHTS RESERVED.

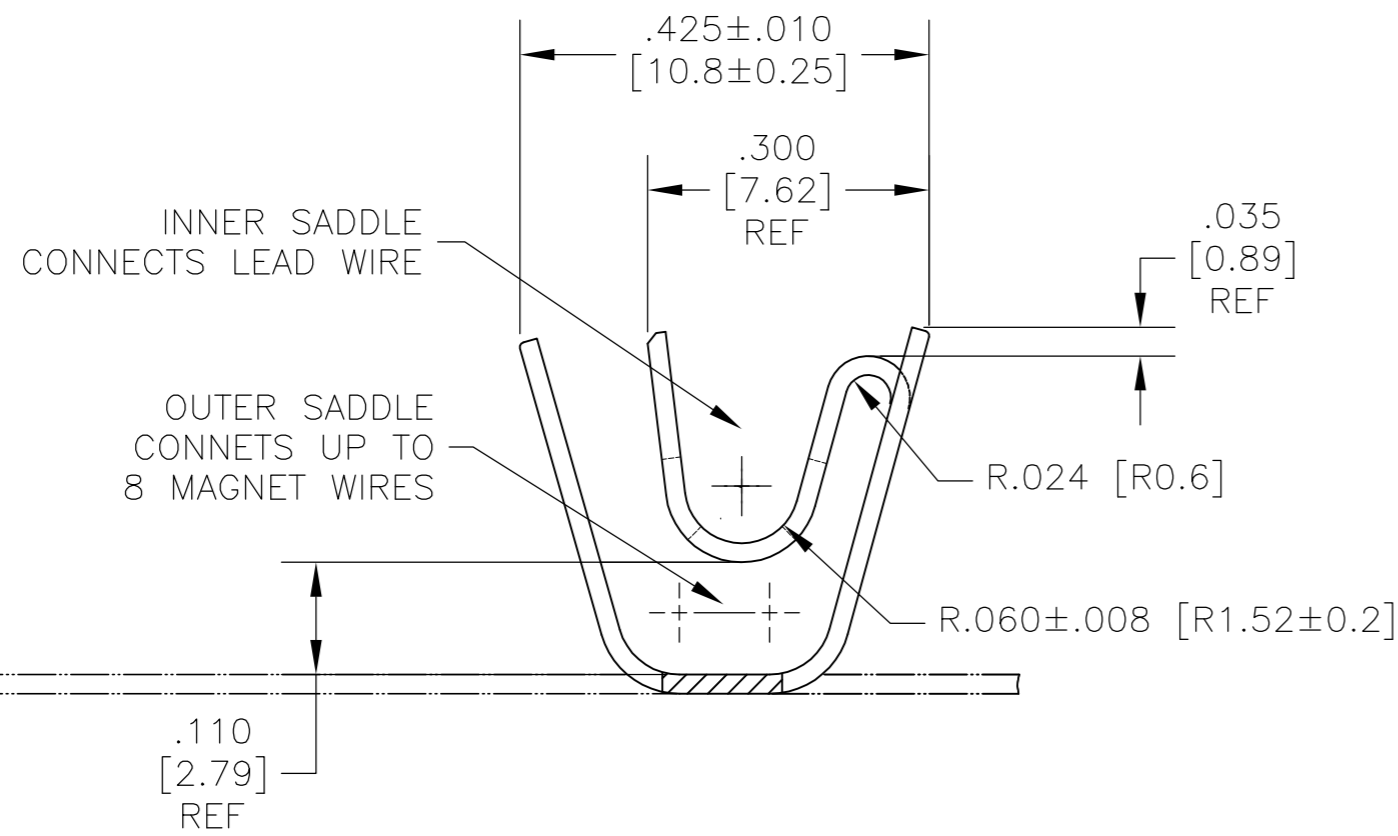
| LOC | DIST | REVISIONS | | | |
|-----|------|-------------|---------------------------|---------|---------|
| P | LTR | DESCRIPTION | DATE | DWN | APVD |
| AF | 50 | A2 | REVISED PER ECR-08-005025 | 03MAR08 | DML DML |



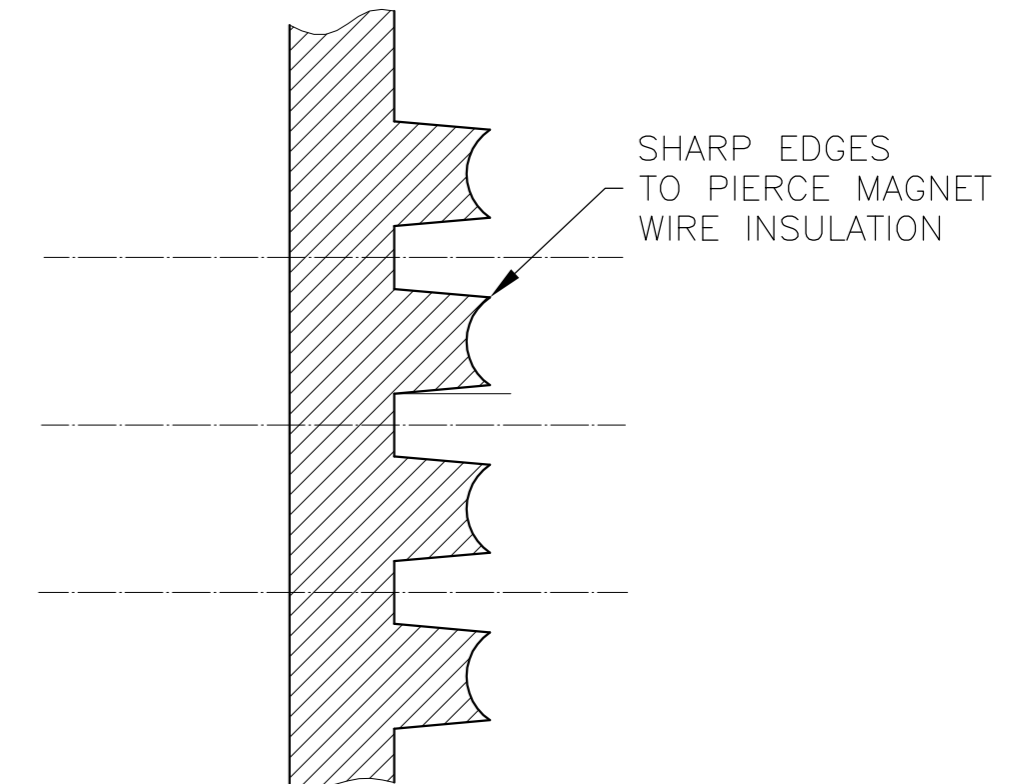
- SPECIFICATIONS
 LEAD WIRE : #14-#10 AWG (2.0-5.6mm²) (4,000-11,000 CMA)
 2 WIRES MAX
 MAGNET WIRE: #20-#11 AWG (0.81-2.30mm²) (1,000-9,000 CMA)
 8 WIRES MAX
 TOTAL WIRE: 4,000-40,000 CMA
 CRIMP HEIGHT: (TOTAL CMA + 39,000) / 516,000

- CARRIER STRIPS (PHANTOM LINES) TO SCRAP DURING INSERTION.

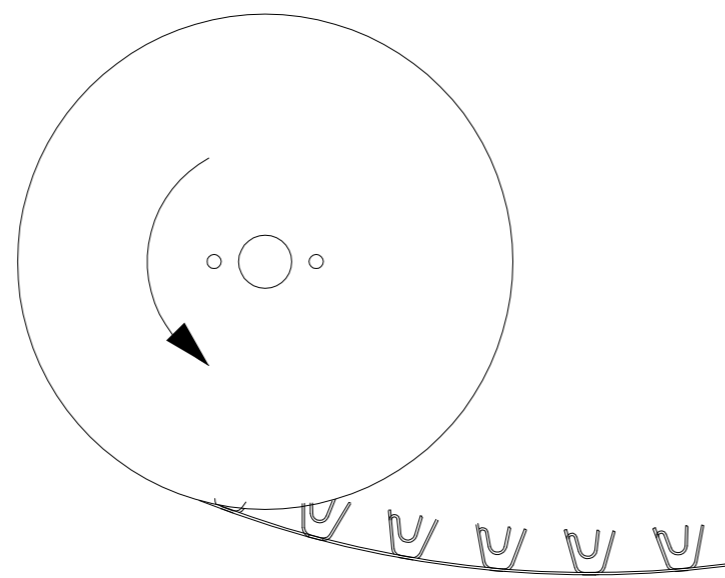
△ 3 FINISH: PRE-TIN PLATE OVER COPPER UNDERPLATE.



SERRATION DETAIL
SCALE 40X



TERMINALS TO UNWIND FROM REELS AS SHOWN:



| | | | | | |
|--|--|-------------------------|--|---|--|
| - | | - | | - | |
| △ 3 | | 111-000-001 | | 1601953-1 | |
| FINISH | | REFERENCE PART NUMBER | | TYCO PART NUMBER | |
| THIS DRAWING IS A CONTROLLED DOCUMENT. | | DWN 18JUL2002 | | Tyco Electronics Corporation Harrisburg, PA 17105-3608 | |
| DIMENSIONS: INCHES | | CHK G JACONO 18JUL2002 | | NAME | |
| TOLERANCES UNLESS OTHERWISE SPECIFIED: | | APVD G JACONO 18JUL2002 | | PRODUCT SPEC | |
| 0 PLC ± - | | APPLICATION SPEC | | SIZE CAGE CODE DRAWING NO | |
| 1 PLC ± - | | 114-13093 | | RESTRICTED TO | |
| 2 PLC ± .01[0.13] | | WEIGHT - | | A2 00779 C=1601953 | |
| 3 PLC ± .005[0.026] | | CUSTOMER DRAWING | | SCALE 1:1 SHEET 1 of 1 REV A2 | |
| 4 PLC ± - | | | | | |
| ANGLES ± 3° | | | | | |
| FINISH | | | | | |
| BRASS, HALF HARD | | | | | |

单击下面可查看定价，库存，交付和生命周期等信息

[>>TE Connectivity\(泰科\)](#)