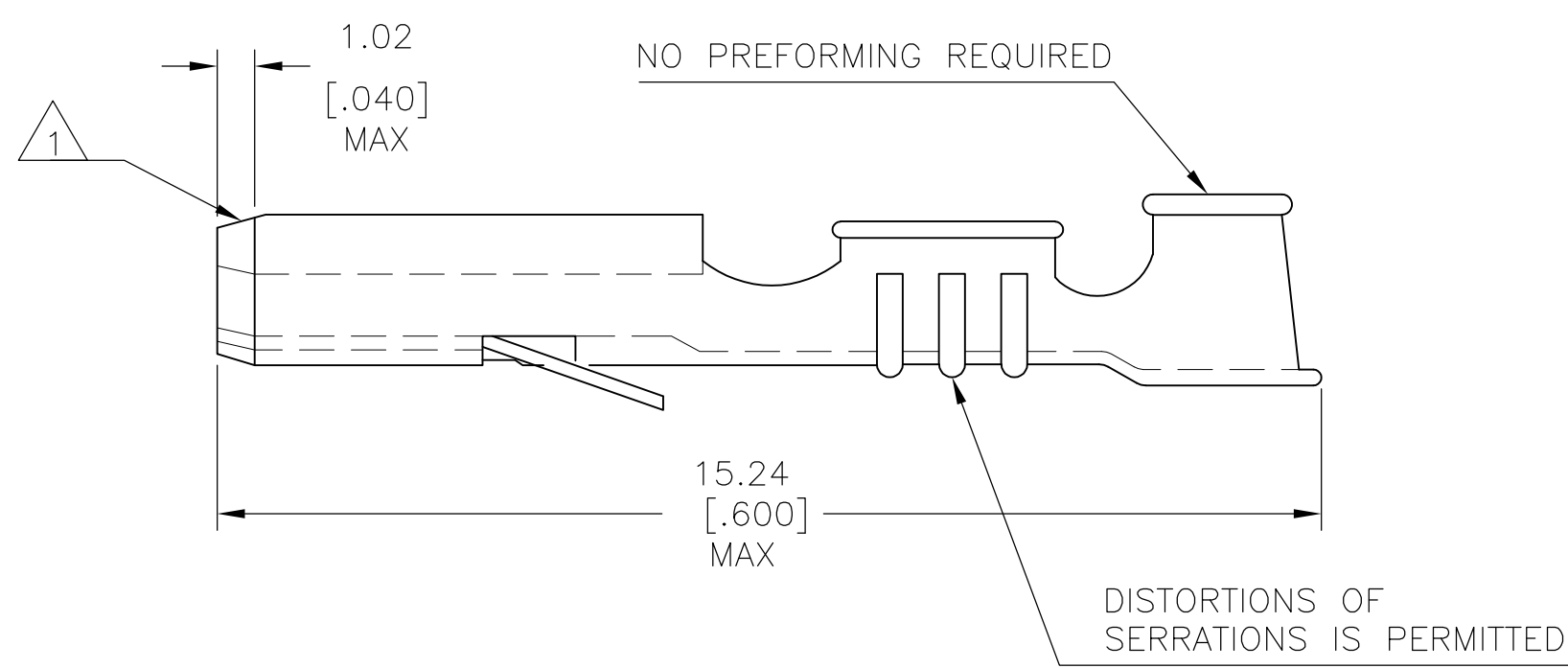



THIS DRAWING IS UNPUBLISHED. RELEASED FOR PUBLICATION
 © COPYRIGHT - By - ALL RIGHTS RESERVED.

LOC		DIST		REVISIONS			
P	LTR	DESCRIPTION		DATE	DWN	APVD	
	A	NEW DRAWING		11NOV2014	NK	TD	

- △1 CHAMFER AROUND FRONT OF RECEPTACLE.
- △2 OBSOLETE PER CIS STREAMLINING PER D.RENAUD/D.SINISI.



160173-3	△2 160308-3
160173-2	160308-2
160173-1	△2 160308-1
STRIP EQUIV	PART NUMBER

THIS DRAWING IS A CONTROLLED DOCUMENT.		DWN	11NOV2014	 TE Connectivity LOOSE PIECE .110 SER FASTON RECEPTACLE			
DIMENSIONS: mm [INCHES]		CHK	11NOV2014				
TOLERANCES UNLESS OTHERWISE SPECIFIED:		APVD	11NOV2014				
0 PLC ± - 1 PLC ± - 2 PLC ± - 3 PLC ± - 4 PLC ± - ANGLES ± -		NAME					
MATERIAL	FINISH	PRODUCT SPEC		SIZE	CAGE CODE	DRAWING NO	RESTRICTED TO
-	-	APPLICATION SPEC		A3	00779	C-160308	-
CUSTOMER DRAWING			WEIGHT	-	SCALE	1:1	SHEET 1 OF 1
			REV	A			

单击下面可查看定价，库存，交付和生命周期等信息

[>>TE Connectivity\(泰科\)](#)