

SCALA NON IMPEGNATIVA  
(DO NOT SCALE)  
DIMENSIONI IN mm  
(DIMENSIONS IN)

**METRIC**

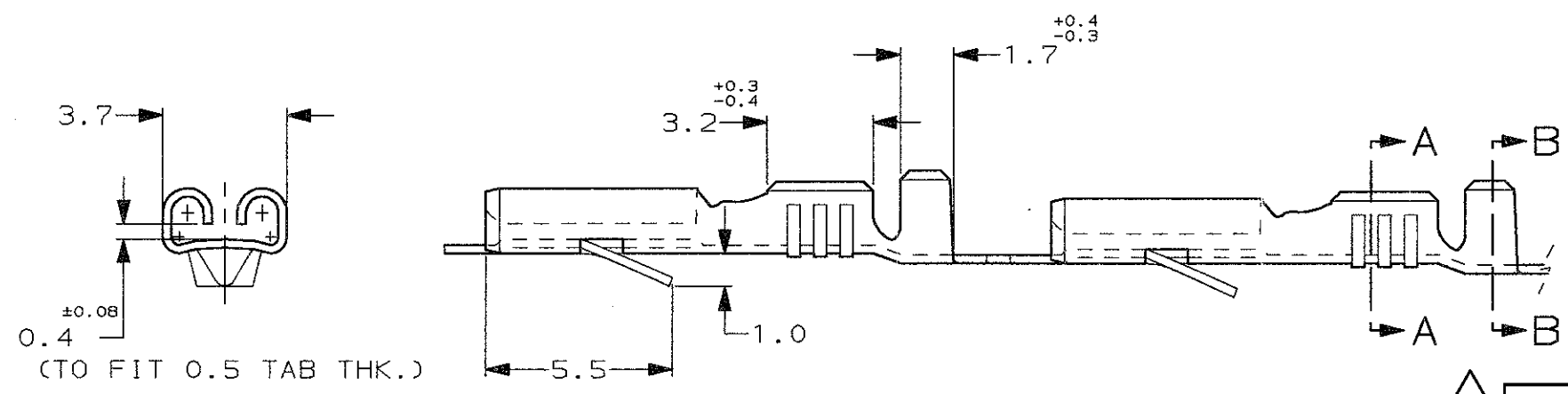
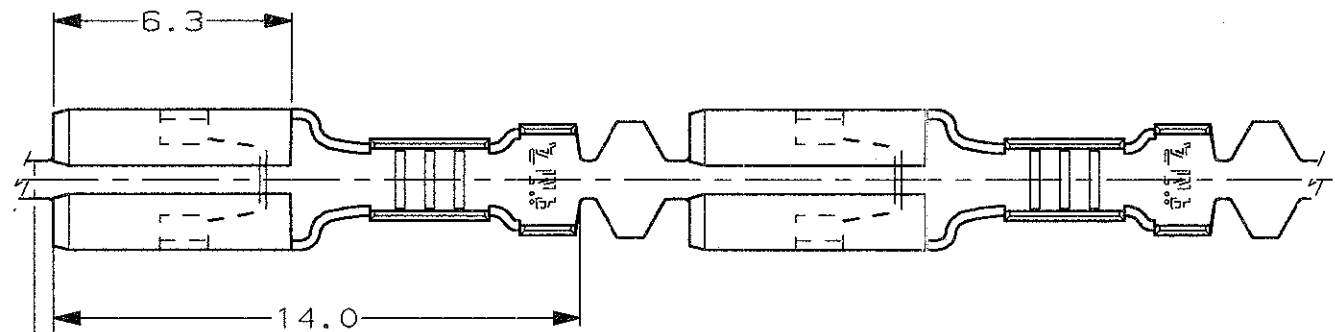
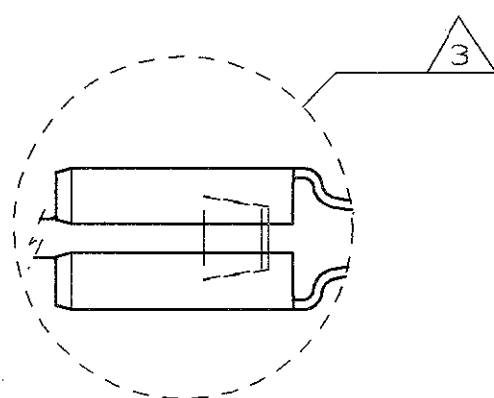
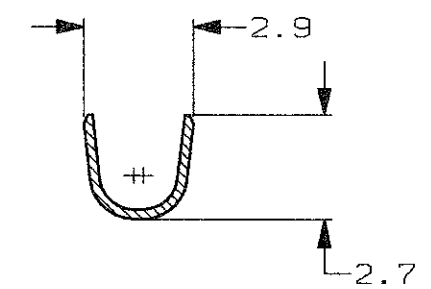
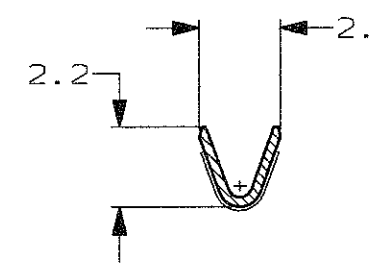
PROIEZIONE EUROPEA  
(EUROPEAN PROJECTION)

**NOTES:**

- ① FOR USE ON STANDARD APPLICATORS (RIGHT-LEFT FEED).
- ② FOR USE ON MINIATURE APPLICATORS (LEFT-RIGHT FEED; AMP-O-MATOR APPLICATION).
- ③ DIFFERENT SHAPE FOR LOCKING LANCE TE AMP ITALY PRODUCTION
- ④ OBSOLETE PARTS: OBSOLETE CIS STREAMLINING PER D.RENAUD/D.SINISI

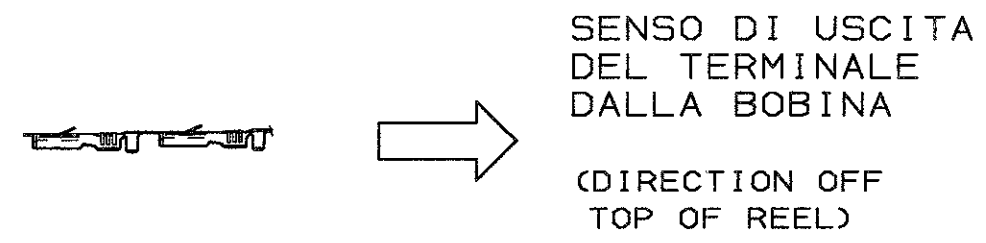
**SEZIONE A-A  
(SECTION A-A)**

**SEZIONE B-B  
(SECTION B-B)**



④ OBSOLETE	③ ② ①	STAGNATO (TIN PLATED)	OTTONE (BRASS)	1-160366-2	AR
	①	ARGENTATO (SILVER PLATED)	BRONZO FOSFOROSO (PHOS. BRONZE)	0-160366-6	AR
④ OBSOLETE	② ①	STAGNATO (TIN PLATED)	BRONZO FOSFOROSO (PHOS. BRONZE)	0-160366-5	AR
	①	NUDO (UNPLATED)	BRONZO FOSFOROSO (PHOS. BRONZE)	0-160366-4	AR
④ OBSOLETE	①	ARGENTATO (SILVER PLATED)	OTTONE (BRASS)	0-160366-3	AR
	② ①	STAGNATO (TIN PLATED)	OTTONE (BRASS)	0-160366-2	AR
	①	NUDO (UNPLATED)	OTTONE (BRASS)	0-160366-1	AR
NOTE		FINITURA / COLORE (FINISH / COLOUR)	MATERIALE (MATERIAL)	NUMERO (PART NUMBER)	REV.

**STATO DI FORNITURA - SCALA 1:1**  
(SUPPLY CONDITION - SCALE 1:1)



**CUSTOMER DWG. FOR REFERENCE ONLY**     **DISEGNO PER CLIENTE SOLO PER RIFERIMENTO**

THIS DRAWING IS UNPUBLISHED     RELEASE FOR PUBLICATION     19

TOLLERANZE, SE NON DIVERSAMENTE SPECIFICATO (TOLERANCES, UNLESS OTHERWISE SPECIFIED)	DIAM. ISOLANTE (INS. DIA. RANGE)	RANGO FILO (WIRE RANGE) mm <sup>2</sup>	SCALA (SCALE)
± 0.3	1.3-2.0	0.3-0.5	5:1
ANGOLI (ANGLES)	TE Connectivity		
± 2°	DIS. H. YAALI (DR.) 24 JUN 99		
	DESCRIZIONE (DESCRIPTION) FASTIN-FASTON® Connector .110" sr. REC. CONTACT		
	CONT. C. TARTARI (CHK) 24 JUN 99		

AR5	REVISED PER ECO-11-005140	RK	31MAR11	APP. (APP.)	LOC. SIZE	NUMERO (DWG NO)	REV.	FOGLIO (SHEET)
REV. (REV.)	REVISIONI (REVISION RECORD)	DIS. (DR)	DATA (DATE)		I A3	C-160366	AR5	1 DI (OF) 1

单击下面可查看定价，库存，交付和生命周期等信息

[>>TE Connectivity\(泰科\)](#)