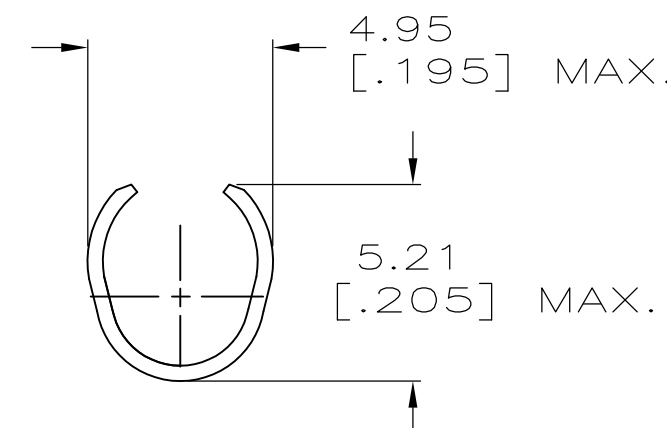
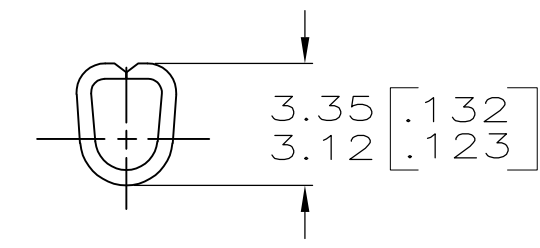
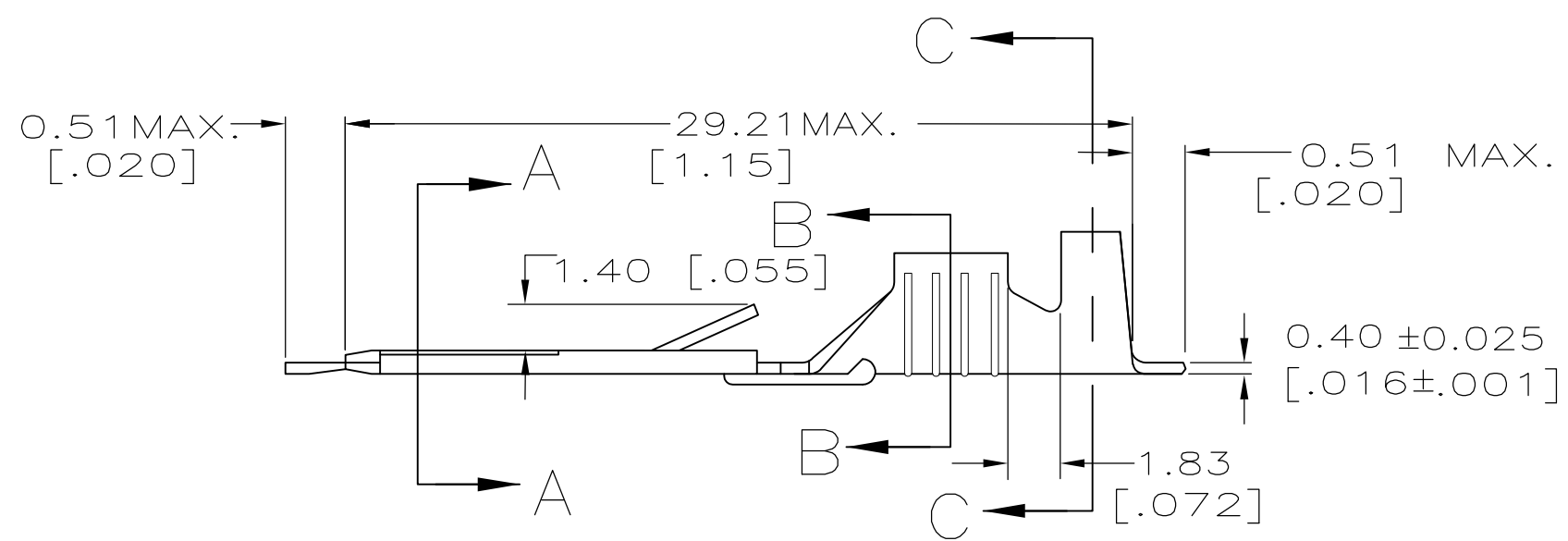
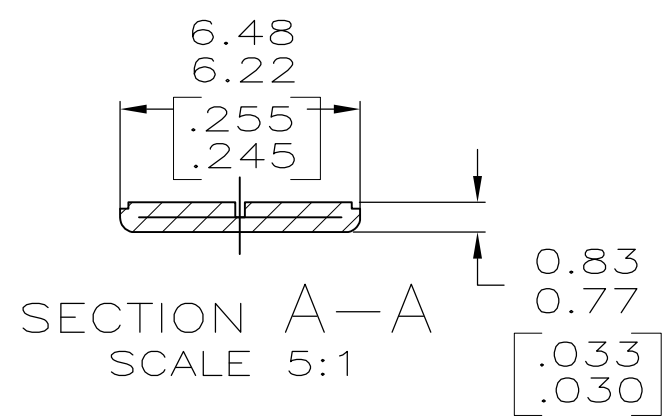


THIS DRAWING IS UNPUBLISHED. RELEASED FOR PUBLICATION - ,1966.

© COPYRIGHT 1966 BY TYCO ELECTRONICS CORPORATION. ALL RIGHTS RESERVED.

LOC	DIST	REVISIONS				
P	LTR	DESCRIPTION	DATE	DWN	APVD	
IR	-	B	FIRST ISSUE	12MAR2011	PKS	MP

- 1 SUPPLIED IN LOOSE PIECE
- 2 TIN 0.002032 [.000080] MIN.
- 3 SILVER 0.003048 [.000120] MIN.



160457-3	3.05-3.68	#18-#16 AWG	SILVER $\triangle_3$	PH.BRONZE	160458-3
160457-2	[.120-.145] DIA		TIN $\triangle_2$		160458-2
160457-1			-		160458-1
STRIP NO.	INSULATION RANGE	WIRE SIZE	FINISH	MATERIAL	PART NO.

THIS DRAWING IS A CONTROLLED DOCUMENT.		DWN SENTHIL 11MAR2011	Tyco Electronics Corporation India		
DIMENSIONS: INCHES		CHK SENTHIL 11MAR2011	Bangalore, India		
TOLERANCES UNLESS OTHERWISE SPECIFIED:		APVD M.PERCHERKE 12MAR2011	NAME		
0 PLC ± -		PRODUCT SPEC	TAB, FASTIN-FASTON, .250 SERIES		
1 PLC ± -		APPLICATION SPEC	-		
2 PLC ± 0.38 [.015]		WEIGHT	SIZE A3	CAGE CODE 00779	DRAWING NO C-160458
3 PLC ± -			RESTRICTED TO		
4 PLC ± -			-		
ANGLES ± -			-		
MATERIAL SEE TABLE			SCALE 4:1 SHEET 1 OF 1 REV B		
FINISH SEE TABLE			CUSTOMER DRAWING		

单击下面可查看定价，库存，交付和生命周期等信息

[>>TE Connectivity\(泰科\)](#)