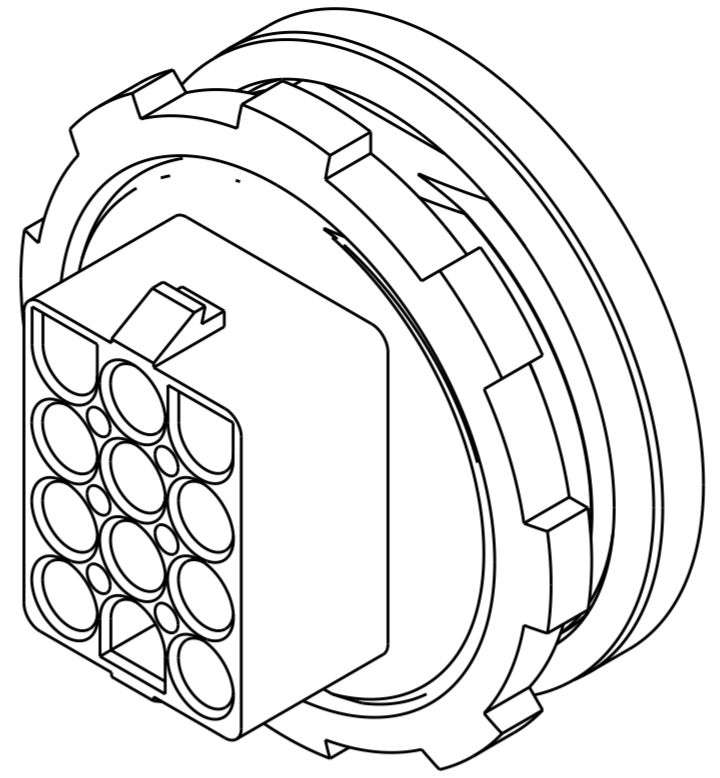
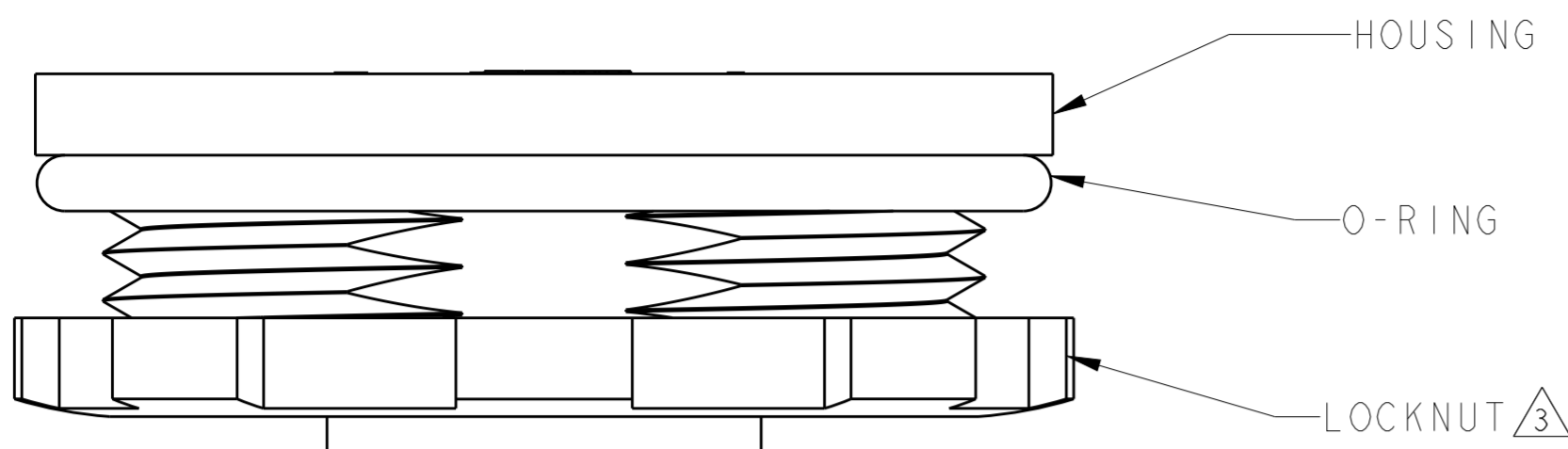
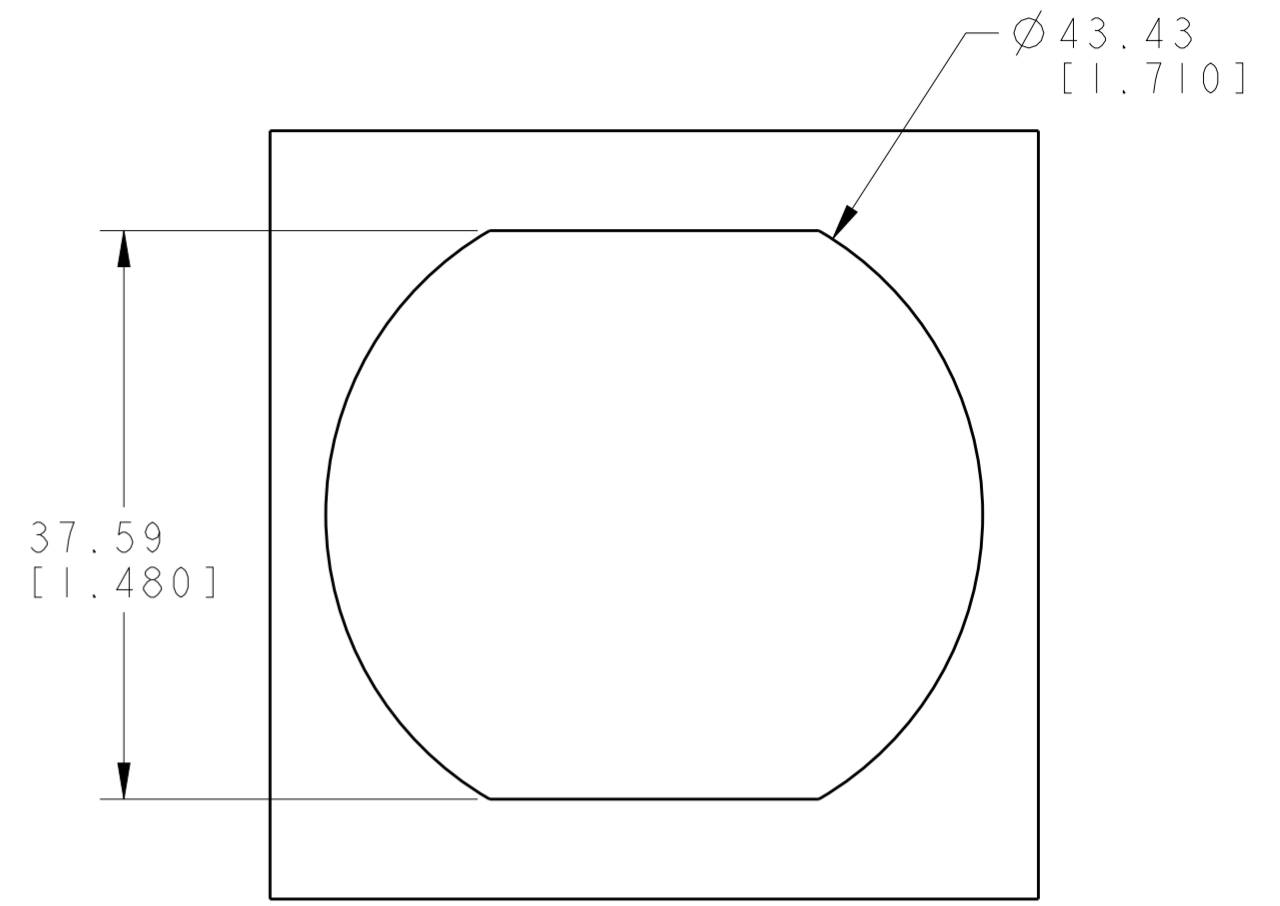


THIS DRAWING IS UNPUBLISHED. RELEASED FOR PUBLICATION 20  
 © COPYRIGHT 20 ALL RIGHTS RESERVED.

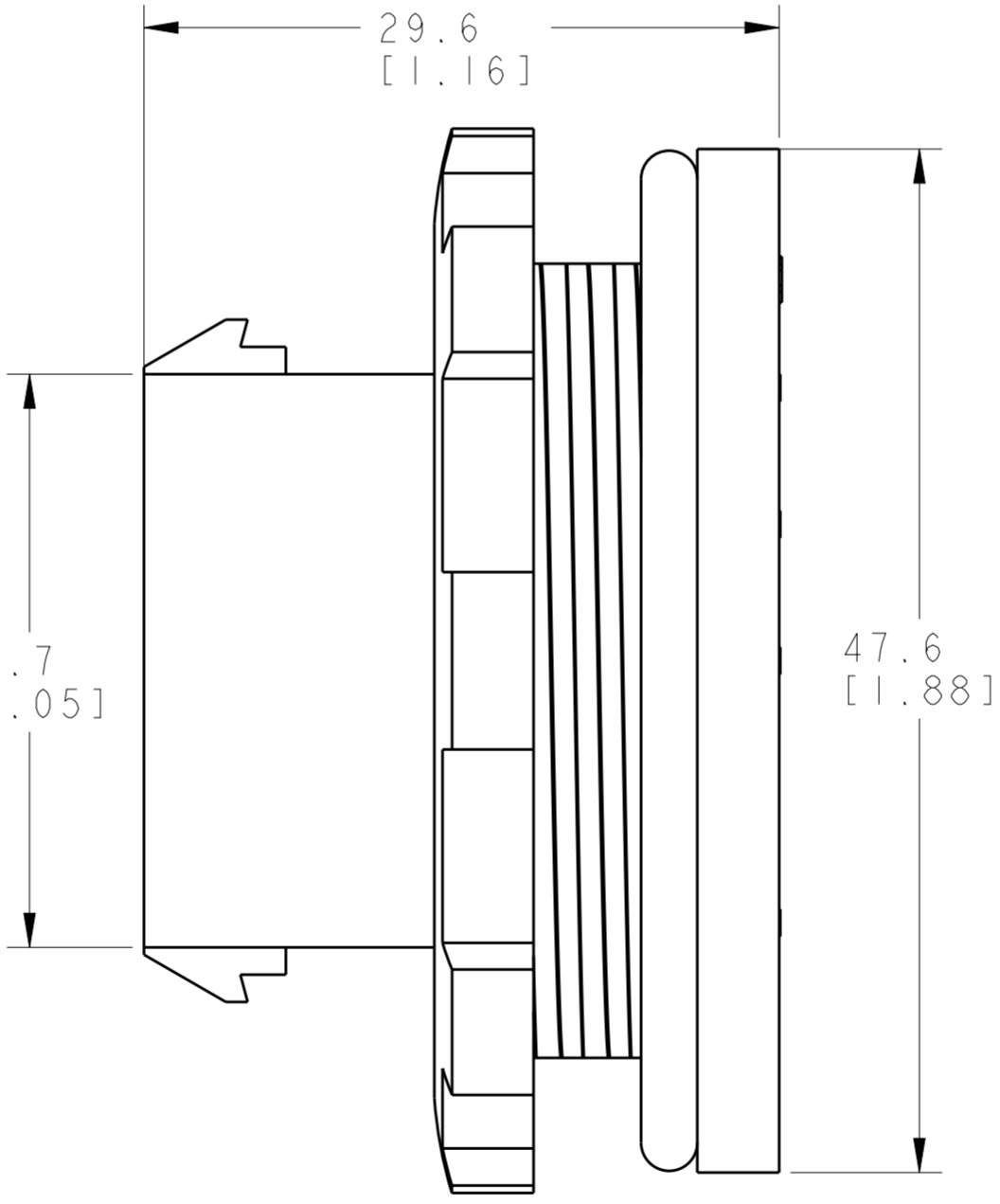
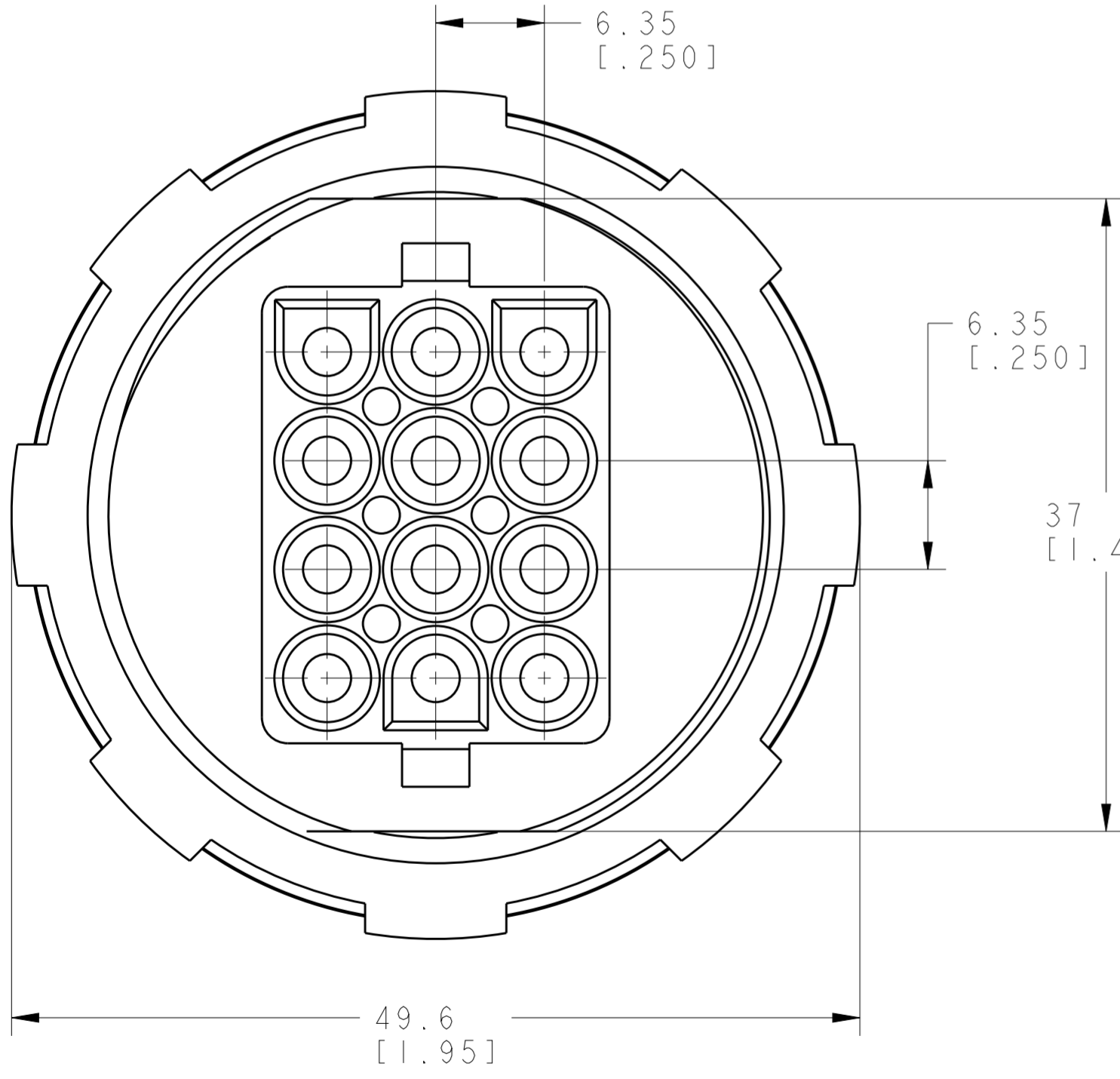
REVISIONS					
P	LTR	DESCRIPTION	DATE	DWN	APVD
A1		REVISED PER ECR-17-015449	25OCT2017	BDA	KR
A2		REVISED PER ECO-20-008510	17JUN2020	WLS	DZ



SCALE 2:1



RECOMMENDED  
 PANEL CUT-OUT  
 SCALE 2:1



- ① LOCKNUT : METAL  
 HOUSING : NYLON, FLAME RETARDANT, UL94-V0  
 O-RING : NEOPRENE (-1) OR SILICONE RUBBER (1- -1)
- ② LOCKNUT : PLATED
- ③ LOCKNUT, SIX(6) OR EIGHT(8) SYMETRICAL PLACED GRIP POINTS PERMISSIBLE.
- 4 DIMENSIONS SHOWN REPRESENT PRODUCT IN DRY, AS MOLDED, CONDITION. ADDITIONAL 2% GROWTH DUE TO SUBSEQUENT MOISTURE ABSORPTION MAY OCCUR AND SHOULD BE ACCOUNTED FOR.
- ⑤ ROHS COMPLIANT.
- ⑥ PRELIMINARY, NOT RELEASED FOR PRODUCTION.

⑥ ⑤	I-1604941-1
	1604941-1
	PART NO

THIS DRAWING IS A CONTROLLED DOCUMENT.		DWN W J RUDY 12 JUN 03	<b>STE</b> TE Connectivity	
DIMENSIONS: mm [INCHES]		CHK JHW 12 JUN 03		
TOLERANCES UNLESS OTHERWISE SPECIFIED:		APVD JHW 12 JUN 03	NAME BULKHEAD CONNECTOR ASSEMBLY 12 CIRCUIT, UNIVERSAL MATE-N-LOK(TM)	
0 PLC ±	±0.5 [0.02]	PRODUCT SPEC	SIZE CAGE CODE DRAWING NO	
1 PLC ±	±0.13 [0.005]	APPLICATION SPEC	A200779 C-1604941	
2 PLC ±	±	WEIGHT	RESTRICTED TO	
3 PLC ±	±		SCALE 3:1 SHEET 1 OF 1 REV A2	
4 PLC ±	±			
ANGLES ±	±			
FINISH	②			
MATERIAL	①	CUSTOMER DRAWING		

单击下面可查看定价，库存，交付和生命周期等信息

[>>TE Connectivity\(泰科\)](#)