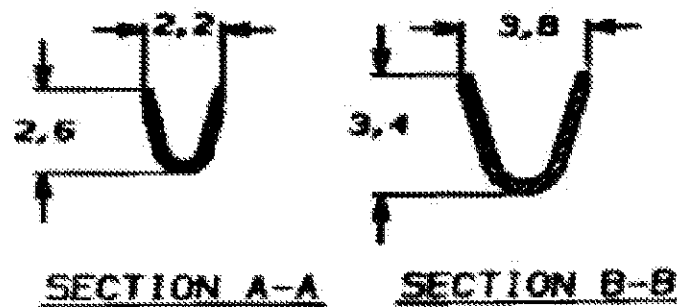
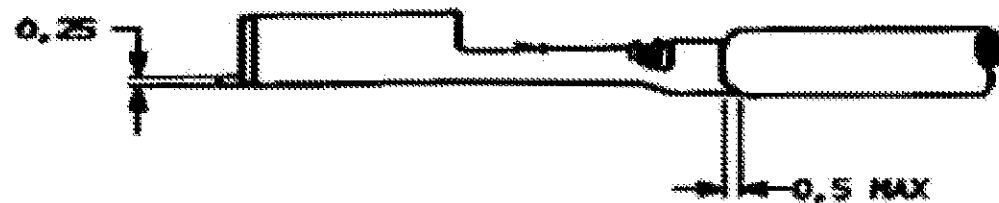
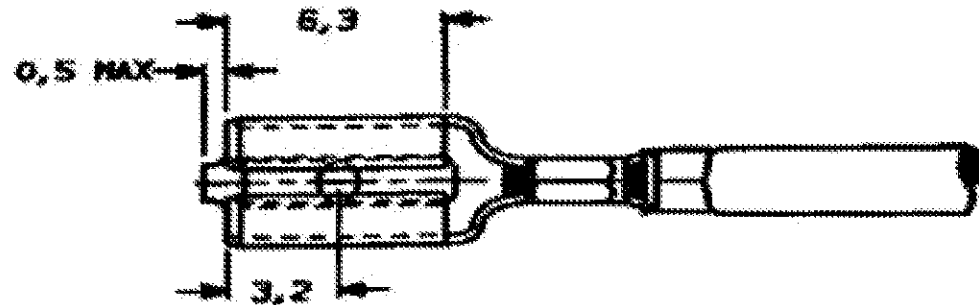
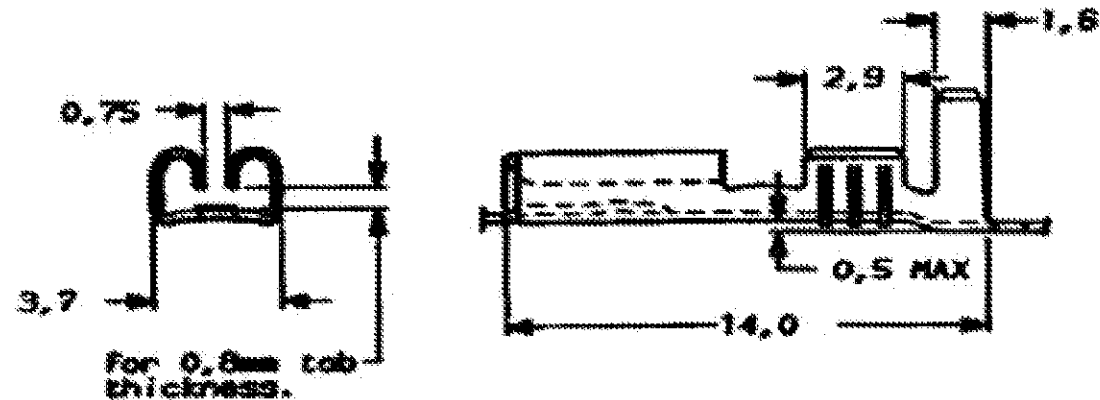
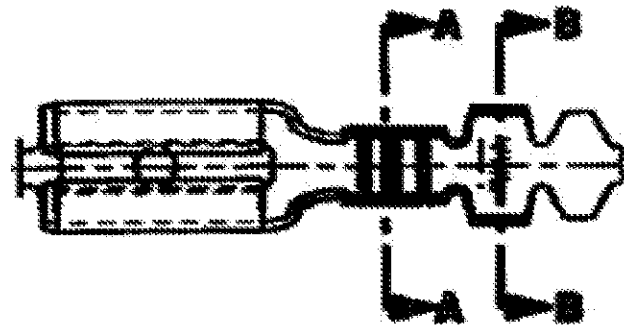


DO NOT SCALE  
DIMENSIONS IN mm

METRIC



WIRE RANGE :  
0.5-1.0 mm<sup>2</sup>  
INSULATION RANGE :  
2.0-3.0mm DIA.

DIRECTION OFF TOP OF REEL



Terminal "U" up.

NOTES:

1 FOR USE ON MINIATURE APPLICATORS ( LEFT-RIGHT FEED )  
AND STANDARD APPLICATORS ( RIGHT-LEFT FEED ).

2 OBSOLETE PARTS: OBSOLETE CIS STREAMLINING PER D.RENAUD/D.SINISI

| NOTES | FINISH        | MATERIAL   | PARTNUMBER |
|-------|---------------|------------|------------|
| 1     | PRE-TINPLATED | PH. BRONZE | 160626-9   |
| 2     | SILVERPLATED  | BRASS      | 160626-3   |
|       | TINPLATED     | BRASS      | 160626-2   |
|       | UNPLATED      | BRASS      | 160626-1   |

**CUSTOMER DRAWING** FOR REFERENCE ONLY WILL NOT BE UPDATED  
 © COPYRIGHT 19- BY AMP HOLLAND B.V.  
 ALL INTERNATIONAL RIGHTS RESERVED. AMP PRODUCTS MAY BE COVERED BY U.S. AND FOREIGN AND/OR PATENTS PENDING.  
 THIS DRAWING IS UNPUBLISHED  
 RELEASED FOR PUBLICATION

|                                     |                           |      |      |  |  |
|-------------------------------------|---------------------------|------|------|--|--|
| <b>AMP</b>                          |                           |      |      | AMP HOLLAND B.V.<br>s-Hertogenbosch,<br>The Netherlands. |  |
| NAME: .110 SRS FASTON RECEPTACLE.LP |                           |      |      |  |  |
| A1                                  | REVISED PER ECO-09-022178 | KK   | AEG  | 25/09/09   |  |
| A                                   | H-9701                    | JvdH | AS   | 08-04-82   |  |
| DR.                                 | REVISION RECORD           | DR.  | CHK. | DATE   |  |

|                                   |                |               |        |             |
|-----------------------------------|----------------|---------------|--------|-------------|
| DR. J.T.S. BUNNEN, CHK. J. A. BAK | APP. L. J. BAK | DWG. NO.      | SHEET  | REV. I.T.R. |
| DATE: 08-04-82                    | DATE: -        | DATE: 24-4-92 | 1 OF 3 | A1          |

单击下面可查看定价，库存，交付和生命周期等信息

[>>TE Connectivity\(泰科\)](#)