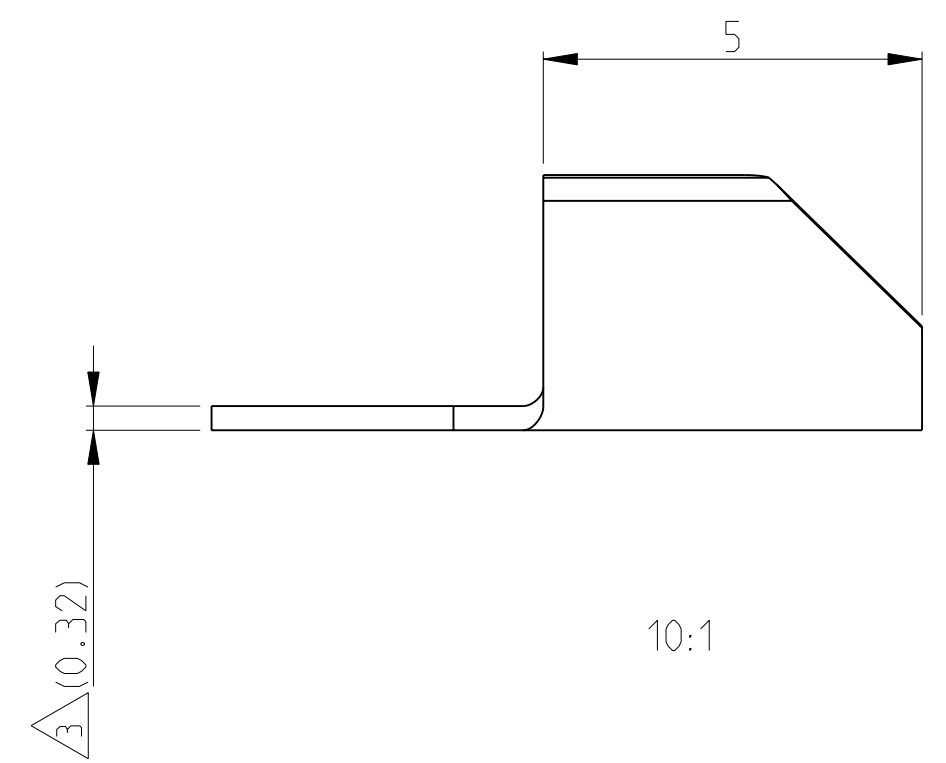


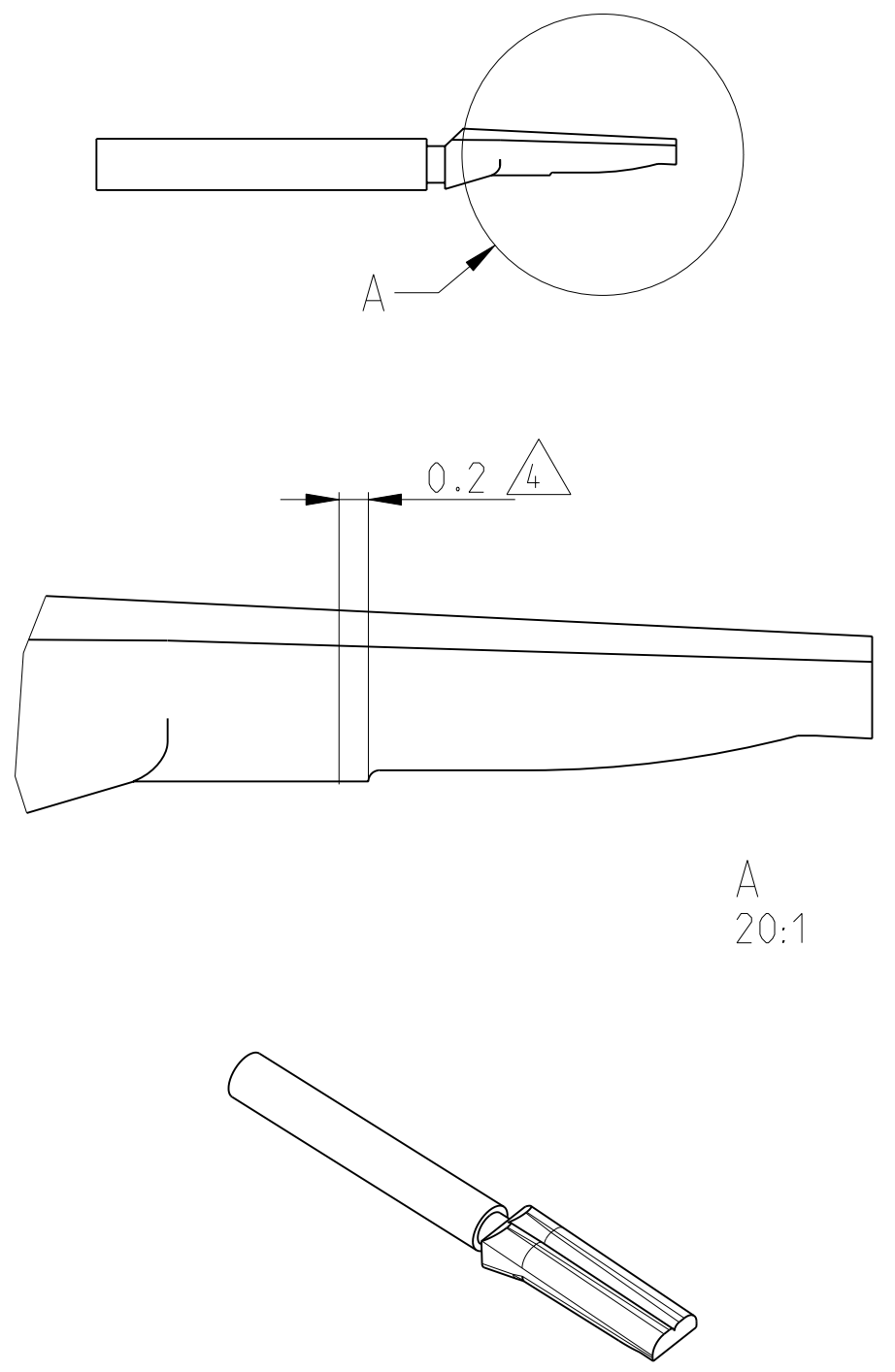
THIS DRAWING IS UNPUBLISHED. RELEASED FOR PUBLICATION 2009  
 © COPYRIGHT 2009 ALL RIGHTS RESERVED.

LOC		DIST		REVISIONS			
P	LTR	DESCRIPTION	DATE	DWN	APVD		
		N2	REDRAWN TO PRO_E AND NOTES UPDATED	13.03.2009	DZ	TK	
		N3	APPLICATION SPEC. INFO ADDED	14APR2010	PKS	RRP	
		N4	ECR-10-022530	07JUN2011	KK	HMR	

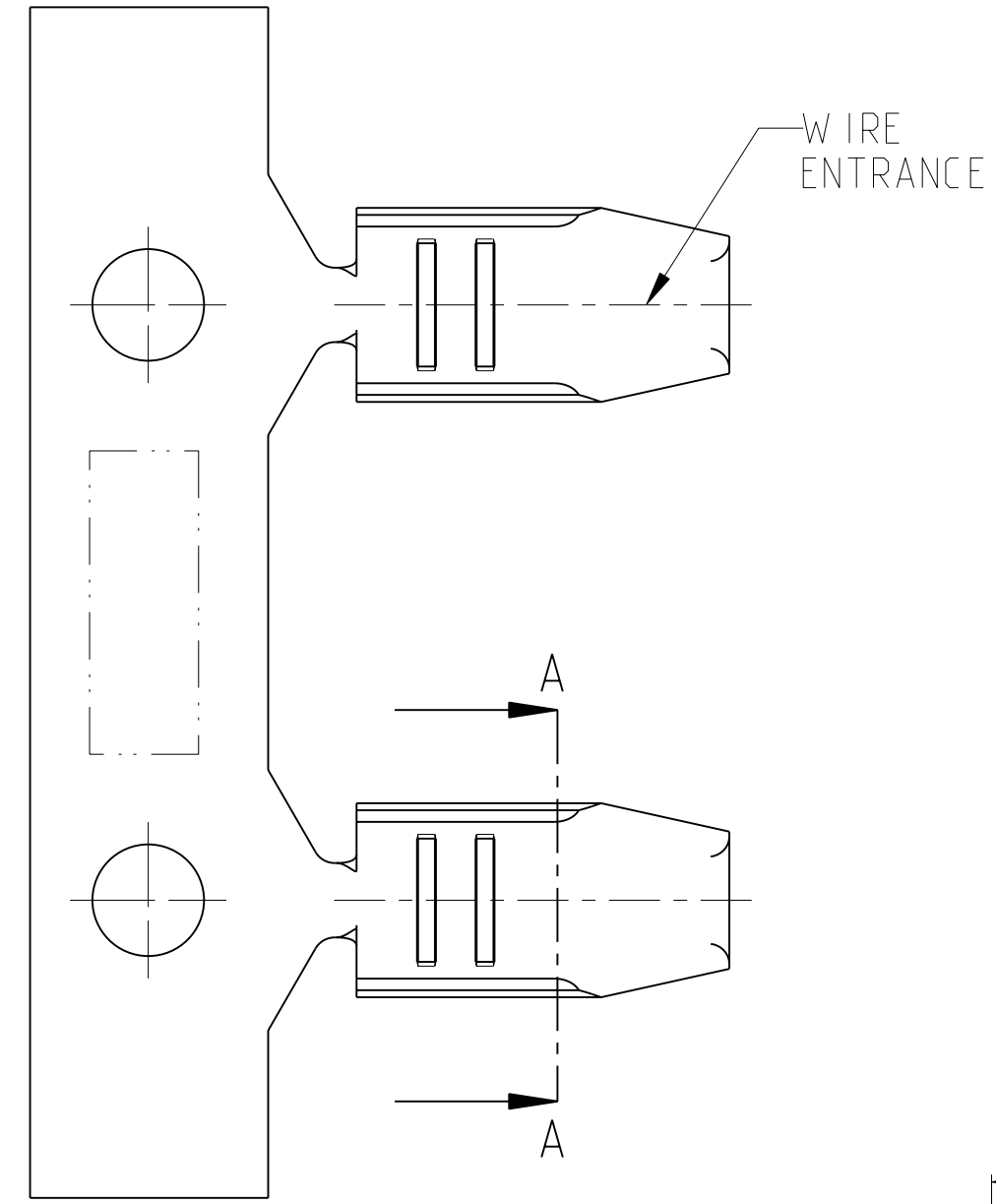


10:1

SHOWN IS CRIMPED CABLE ASSY.

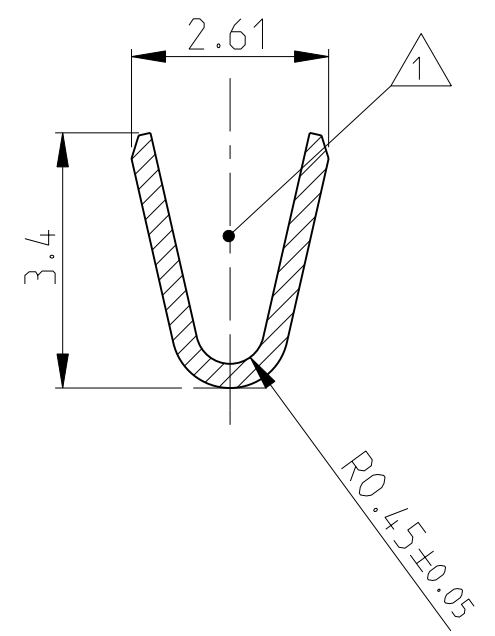


A  
20:1



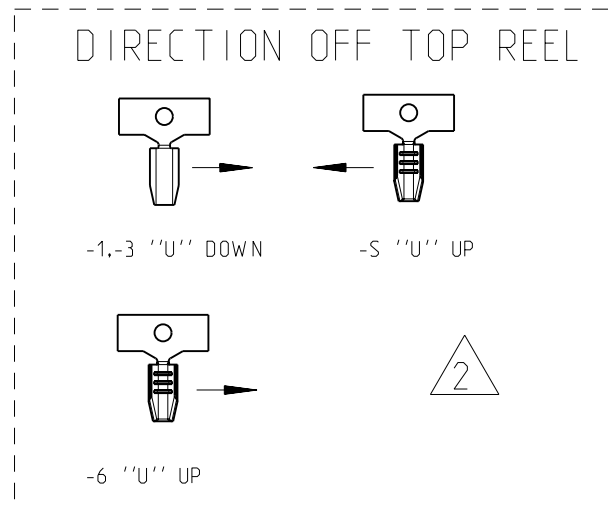
WIRE ENTRANCE

A-A



- USING STRANDED WIRE IN COMBINATION WITH MAGNET WIRE  
 WIRE RANGE: 255.....1855 CMA (0,13.....0,93mm<sup>2</sup>)  
 Means 26...18 AWG (0,13....0,82 mm<sup>2</sup>)  
 40...26 AWG MAGNET WIRE.  
 USING TINNED LEAD WIRE.  
 WIRE RANGE: 255...1855 CMA (0,13...0,93 mm<sup>2</sup>)  
 USING COPPER LEAD WIRE.  
 WIRE RANGE: 1250...1855 CMA (0,63...0,93 mm<sup>2</sup>)
- DIRECTION OFF TOP OF REEL
- STOCK THICKNESS  
 0,32±0,02
- MEASURING POSITION FOR CRIMP HEIGHT (CH)
- CRIMP HEIGHT DEFINITION :  
 PRELIMINARY DEFINITION OF CH FOR MAGNET WIRE:  
 (DURING CHANGE OF SPEC.):  
 255-800 CMA : 1,17 ± 0,02  
 800 - 1200 CMA : 1,22 ± 0,05  
 1200 - 1855 CMA : 1,30 ± 0,05
- PERMITTED CONTACT RESISTANCE AT NEW PART: ΔR ≤ 20 mΩ  
 ESPECIALLY AT MAGNET WIRES D < 0,3 mm THE FREE WIRE LENGHT  
 IN THE AMPLIVAR IS TO BE CONSIDERED#

PRETINNED	2	BRASS	160631-6	N
PRETINNED	2	BRASS	<del>160631-5</del>	N
PRETINNED	2	BRASS	160631-3	N
FINISH		MATERIAL	PART NO	REV



THIS DRAWING IS A CONTROLLED DOCUMENT.		DWN D.Zersen	13.03.2009	TE Connectivity MINIATURE AMPLIVAR SPLICE			
DIMENSIONS: mm		CHK H.Ballmert	13.03.2009			NAME	
TOLERANCES UNLESS OTHERWISE SPECIFIED:		APVD T.Klenner	13.03.2009			PRODUCT SPEC	
MATERIAL		APPLICATION SPEC 114-2006		SIZE	CAGE CODE	DRAWING NO	RESTRICTED TO
-		WEIGHT		A2	00779	C=160631	-
CUSTOMER DRAWING				SCALE	5:1	SHEET	1 OF 1
						REV	N4

单击下面可查看定价，库存，交付和生命周期等信息

[>>TE Connectivity\(泰科\)](#)