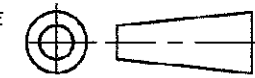


DO NOT SCALE
DIMENSIONS IN mm

METRIC

THIRD ANGLE
PROJECTION



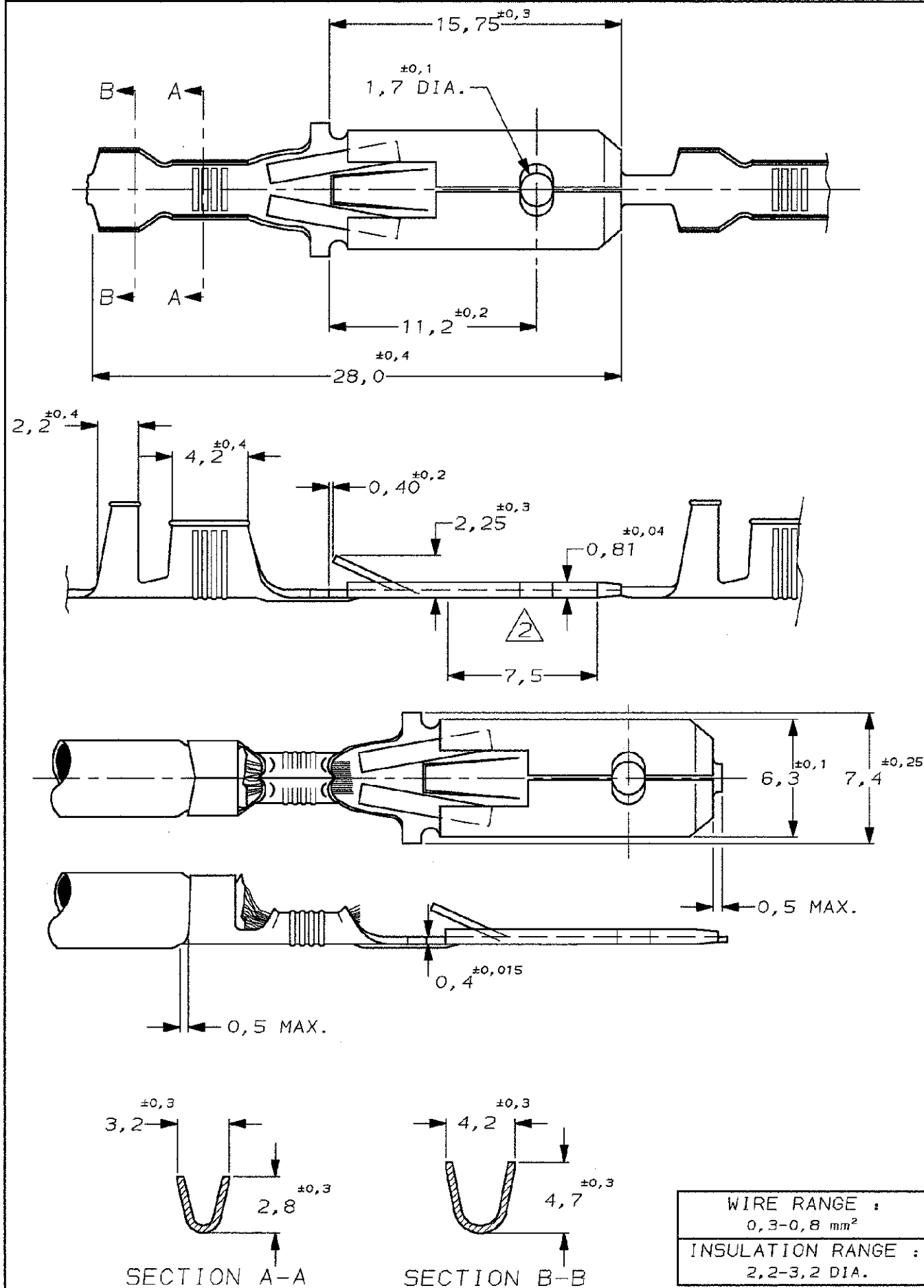
NOTES:

1 FOR USE ON MINIATURE APPLICATORS (LEFT-RIGHT FEED)
AMP-O-MATOR APPLICATION.

2 DIM 0,81^{±0,04} TO BE MEASURED OVER A LENGTH 7,5mm
AS INDICATED

3 OBSOLETE PARTS: OBSOLETE CIS STREAMLINING PER D.RENAUD/D.SINISI

UNPUBLISHED DRAWING : AMP RIGHTS RESERVED
This drawing is supplied to.....
.....for use by
.....
or its nominated suppliers for the purpose
of inspecting AMP-PRODUCTS.
AMP-HOLLAND B.V.
DATE.....
SIGNATURE.....



3 OBSOLETE	UNPLATED	PH. BRONZE	160645-3
	TINPLATED	BRASS	160645-2
	UNPLATED	BRASS	160645-1
	FINISH	MATERIAL	PARTNUMBER

RESTRICTED CUSTOMER FOR REFERENCE ONLY WILL NOT BE UPDATED				
© COPYRIGHT 19- BY AMP HOLLAND B.V. ALL INTERNATIONAL RIGHTS RESERVED. AMP PRODUCTS MAY BE COVERED BY U.S. AND FOREIGN AND/OR PATENTS PENDING.				
THIS DRAWING IS UNPUBLISHED RELEASED FOR PUBLICATION				
AMP		AMP HOLLAND B.V. 's-Hertogenbosch, The Netherlands.		
01	REV PER ECO-10-000444	KK	AEG	09JAN10
0	EH-0933-97	D.K.	R.V.	27 AUG 97
LTR.	REVISION RECORD	DR.	CHK.	DATE
DR.:	D. KESSLER	CHK.:	R. VOS	APP.:
DATE:	27 AUG 97	DATE:	-	DATE:
DWG.No.		REV.LTR.		SHEET
C-160645		01		1 OF 1

单击下面可查看定价，库存，交付和生命周期等信息

[>>TE Connectivity\(泰科\)](#)