

THIS DRAWING IS UNPUBLISHED.
VERTRAULICHE UNVERÖFFENTLICHTE ZEICHNUNG

RELEASED FOR PUBLICATION
FREI FUER VERÖFFENTLICHUNG
OCT, 1999.
ALL RIGHTS RESERVED.
ALLE RECHTE VORBEHALTEN

LOC
IR

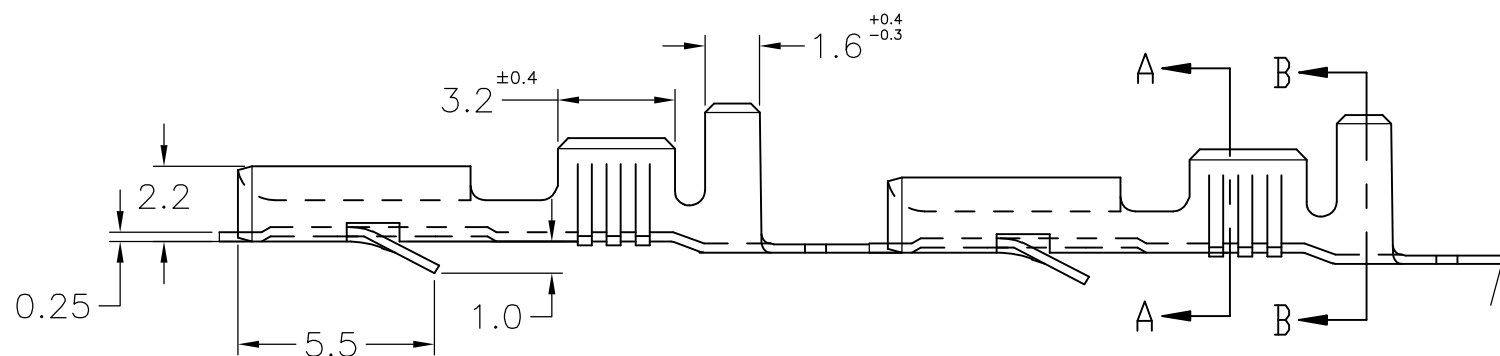
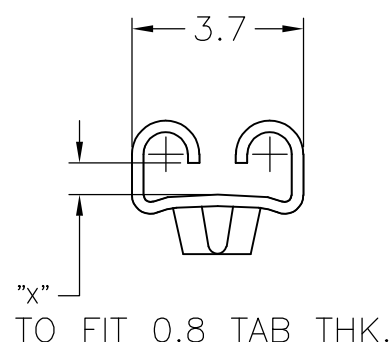
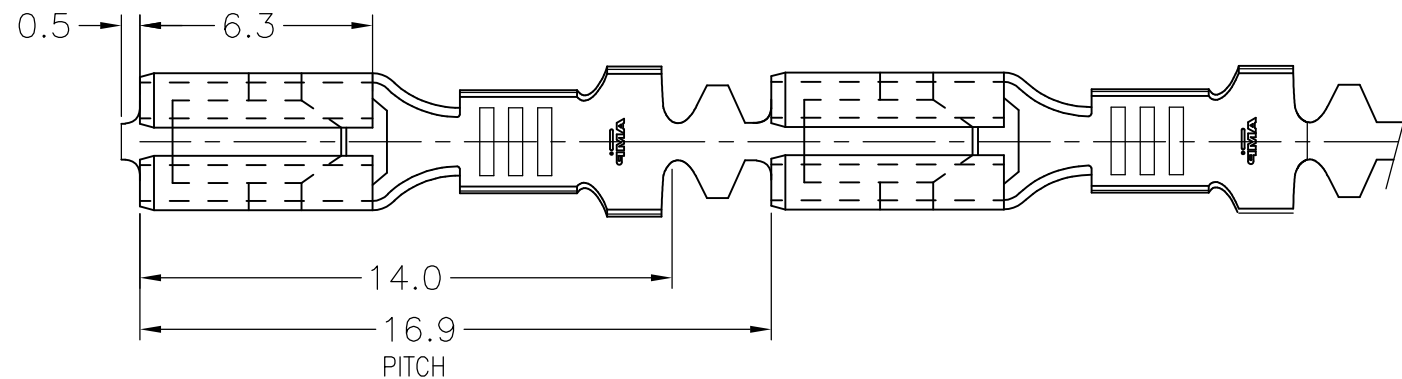
DIST
—

REVISIONS
ÄNDERUNGEN

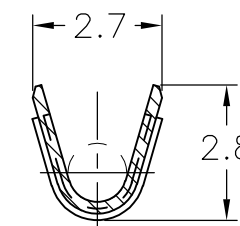
P LTR

AG2 GAP SIZE TOLERANCE CORRECTED

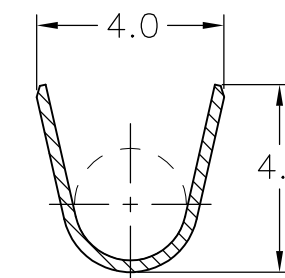
DATE DWN APVD
22JUL2011 PKS RRP



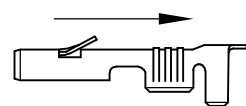
SECTION A-A



SECTION B-B



SUPPLY CONDITION



DIRECTION OFF
TOP OF REEL

0.74±0.08	PRE-TINNED	BRASS	1-160655-1	AF
0.68±0.08	TIN PLATED	BRASS	160655-6	AF
	SILVER PLATED	BRASS	160655-5	AF
	PRE-TINNED	PH.BRONZE	160655-4	AF
	UNPLATED	PH.BRONZE	160655-3	AF
	PRE-TINNED	BRASS	160655-2	AF
	UNPLATED	BRASS	160655-1	AF
"X"	FINISH/COLOR	MATERIAL	PN	REV

THIS DRAWING IS A CONTROLLED DOCUMENT. DIESE ZEICHNUNG IST EIN KONTROLLIERTES DOKUMENT.		DWN H.YAALI 12 OCT 99	STE TE Connectivity	
DIMENSIONS: MASSE/HEITEN: INCHES		CHK C.TARTARI 12 OCT 99		
TOLERANCES UNLESS OTHERWISE SPECIFIED: ALLGEMEINTOLERANZEN		APVD —	NAME	
0 PLC ± 0.3 1 PLC ± 0.3 2 PLC ± 0.3 3 PLC ± 0.3 4 PLC ± — ANGLES/WINKEL ± 2°		PRODUCT SPEC PRODUKTSPEZ.	FASTIN-FASTON CONNECTOR .110 SRS REC. CONTACT	
MATERIAL SEE TABLE		APPLICATION SPEC VERARBEITUNGSSPEZ.	SIZE A3	CAGE CODE 00779
FINISH/OBERFLAECHE/FARBE SEE TABLE		WEIGHT GEWICHT	DRAWING NO ZEICHNUNGS-NR. C-160655	RESTRICTED TO NUR FUER
WIRE RANGE 0.5-1.5 mm ² INSUL. RANGE 2.0-3.0		CUSTOMER DRAWING/KUNDENZEICHNUNG		SCALE MASSSTAB 5
		SHEET BLATT 1 OF VON 1		REV AG2

单击下面可查看定价，库存，交付和生命周期等信息

[>>TE Connectivity\(泰科\)](#)