

DO NOT SCALE

METRIC

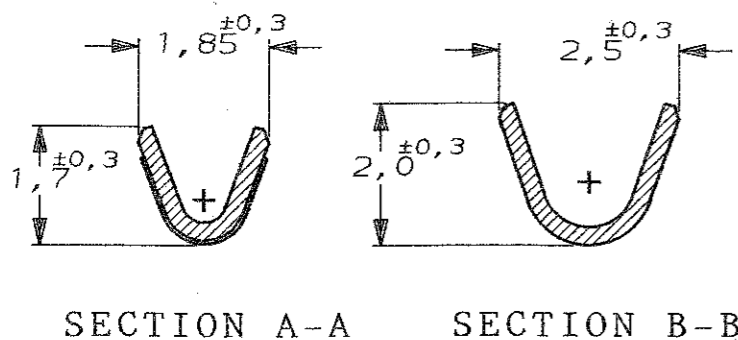
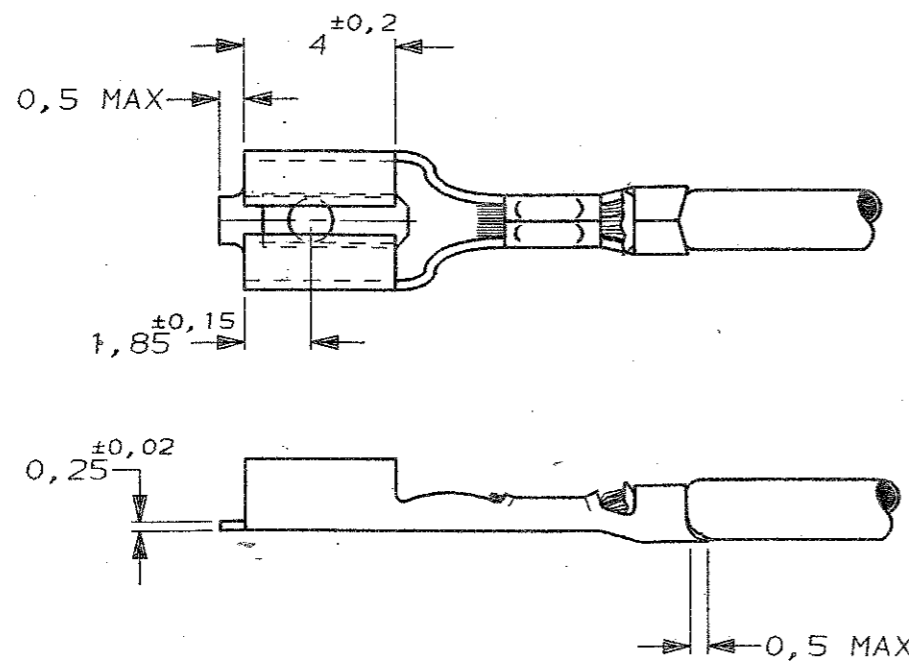
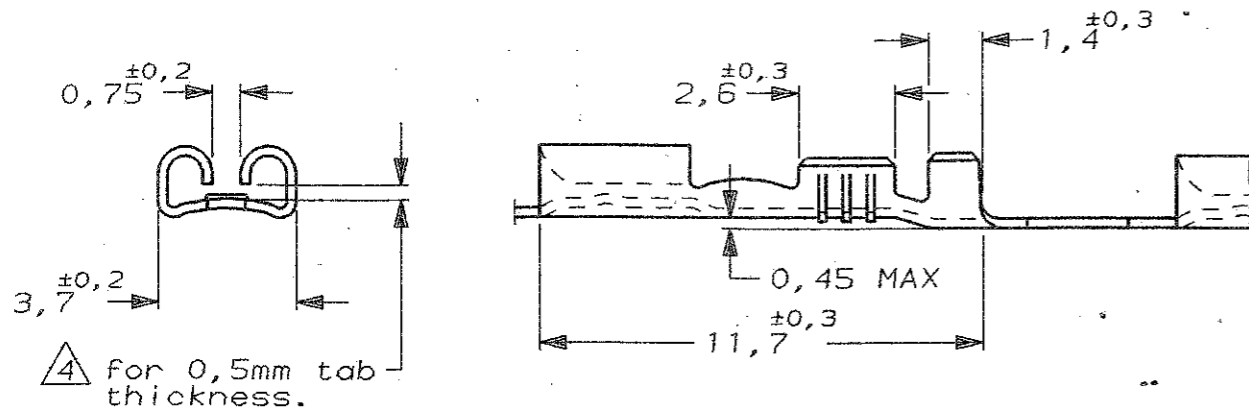
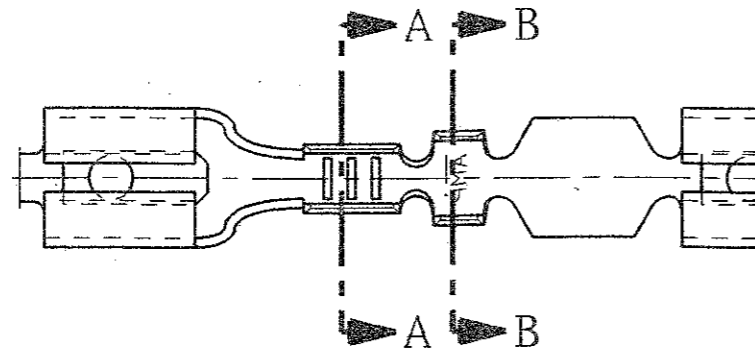
THIRD ANGLE
PROJECTION



DIMENSIONS IN mm

REVISION

LTR	DESCRIPTION	DATE	DWN	APVD
K2	ECR-17-017018	07JUL2018	DT	TD



DIRECTION OFF TOP OF REEL



Terminal "U" up.

NOTES

- △1 FOR USE ON MINIATURE APPLICATORS (LEFT-RIGHT FEED) AND STANDARD APPLICATORS (RIGHT-LEFT FEED).
- △2 BRASS ACC ASTM B36 ALLOY 260.
- △3 PH.BRONZE ACC ASTM B103.
- △4 GAGE 0,45 MUST NOT ENTER , GAGE 0,33 MUST ENTER.
- △5 OBSOLETE PARTS: OBSOLETE CIS STREAMLINING PER D.RENAUD/D.SINISI

NOTES	FINISH	MATERIAL	PARTNUMBER
△1 △2	TINPLATED	BRASS	160666-5
△1 △3	TINPLATED	PH.BRONZE	160666-4
△1 △2	UNPLATED	BRASS	160666-3
△1 △3	GOLDPLATED	PH.BRONZE	160666-2
△1 △3	UNPLATED	PH.BRONZE	160666-1

CUSTOMER DRAWING



AMP-HOLLAND B.V.
s-Hertogenbosch, The Netherlands.

FOR REFERENCE ONLY
WILL NOT BE UPDATED

THIS DRAWING IS UNPUBLISHED RELEASED FOR PUBLICATION oct , 1986
© COPYRIGHT 1986 BY AMP-HOLLAND B.V.
ALL INTERNATIONAL RIGHTS RESERVED.
AMP PRODUCTS MAY BE COVERED BY U.S. AND FOREIGN PATENTS AND/OR PATENTS PENDING.

DR.	DATE	WIRE RANGE	NAME	REV. DATE
R.v.Lokven	06.10.86	0,12-0,35mm ²	.110 SRS FASTON RECEPTACLE. (short version).	D M Y
CHK. A.B.	DATE 07.10.86	INSUL. RANGE 0,9-1,6mmDIA		06 10 86
APP. L.v.Soest	DATE 07.10.86	SIZE A3	SHEET 1 OF 1	DWG. No. C-160666
				REV. LTR. R1 K2

8

6

5

4

3

2

1

单击下面可查看定价，库存，交付和生命周期等信息

[>>TE Connectivity\(泰科\)](#)