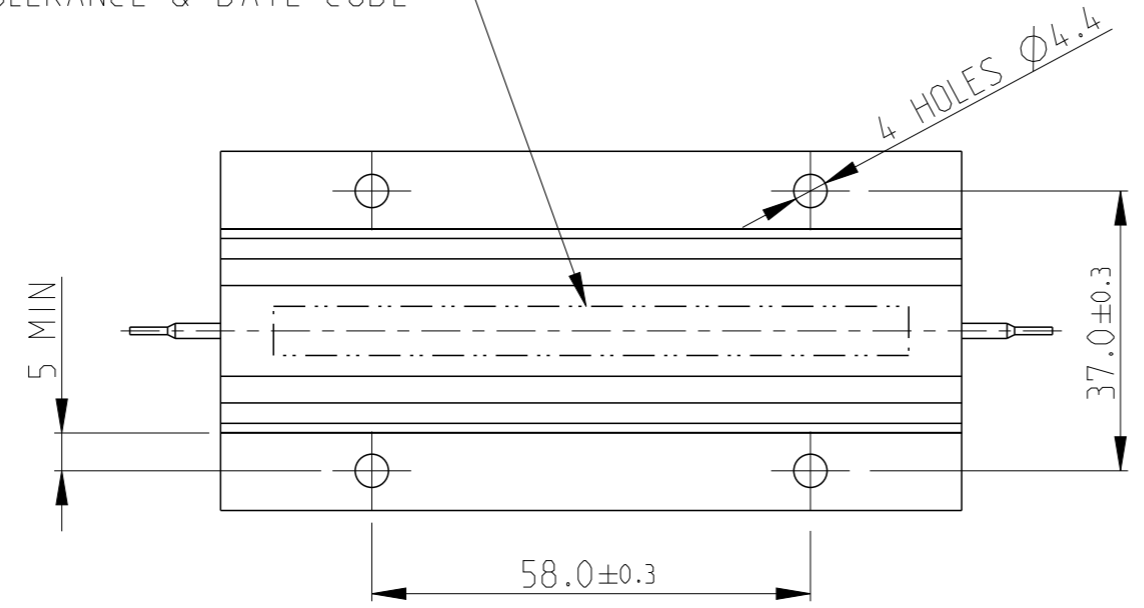


THIS DRAWING IS UNPUBLISHED. RELEASED FOR PUBLICATION SEP. 2005
 © COPYRIGHT 2005 BY - ALL RIGHTS RESERVED.

LOC	DIST	REVISIONS				
P	LTR	DESCRIPTION	DATE	DWN	APVD	
E	B	A2	REVISED PER ECO-11-005150	29MAR2011	RK	HMR
		S	ECR-16-003733	12MAR2016	KR	TN

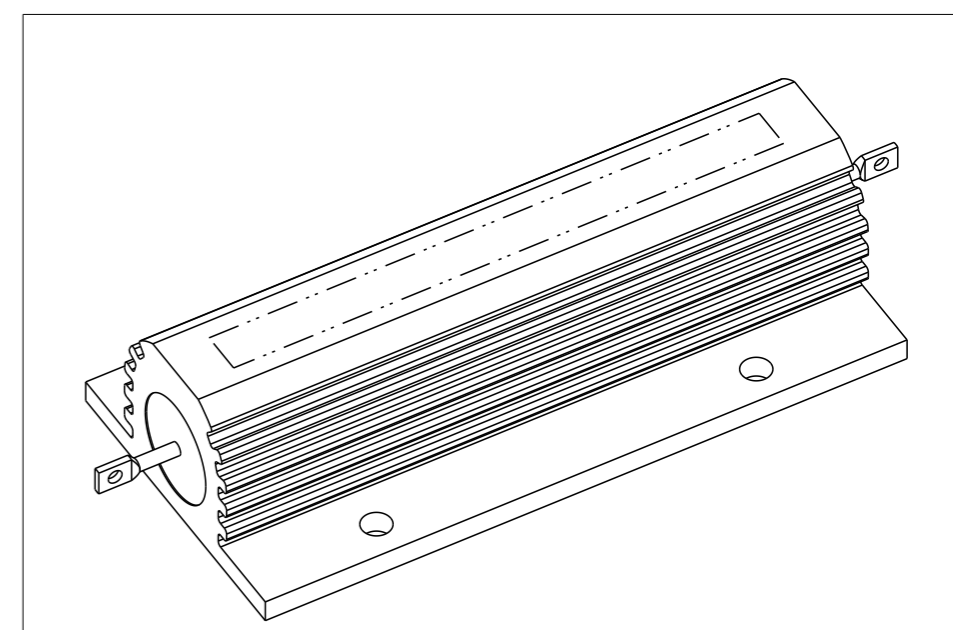
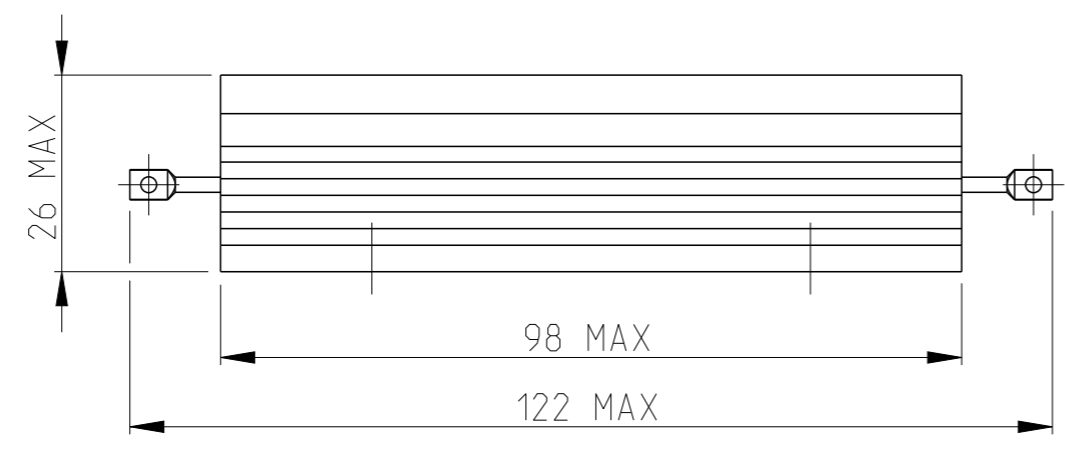
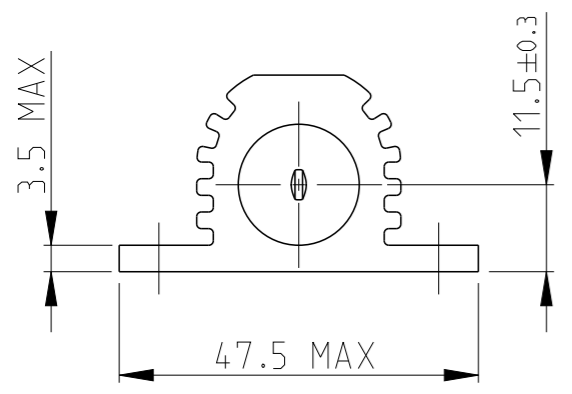
LASER MARKING: TE LOGO PN VALUE
TOLERANCE & DATE CODE



- 1 FOR FURTHER INFORMATION SEE DATA SHEET FOR HS SERIES-ALUMINIUM HOUSED RESISTORS
- 2 FOR A SPECIFIC PN FOR A RESISTANCE VALUE AND TOLERANCE, PLEASE REFER TO DMF
- 3 TECHNICAL SPECIFICATION

DISSIPATION AT 25°C : 150 WATTS MOUNTED ON STD HEATSINK
 OHMIC RANGE : R10 TO 100K
 STABILITY : ΔR < =2% PER 1000hrs
 ISOLATION VOLTAGE : 3500V DC/AC pk
 MAX WORKING VOLTAGE : 2500V DC/AC rms
 TEMPERATURE COEFFICIENT : > 1R0 50ppm
 > 100R 25ppm
 CLIMATIC CATEGORY : 55/200/56

RoHS Compliant



THIS DRAWING IS A CONTROLLED DOCUMENT.		DWN	28.SEP.05	 TE Connectivity	NAME	HSC 150		
DIMENSIONS:		CHK	28.SEP.05			-		
mm		APVD	28.SEP.05			-		
TOLERANCES UNLESS OTHERWISE SPECIFIED:		PRODUCT SPEC				-		
0 PLC ±0.5		APPLICATION SPEC		SIZE	CAGE CODE	DRAWING NO	RESTRICTED TO	
1 PLC ±0.2				A3	00779	©-1630012	-	
2 PLC ±0.1		WEIGHT		CUSTOMER DRAWING			SCALE	
3 PLC ±							1:1	
4 PLC ±							SHEET	
ANGLES ±5°							1 OF 1	
FINISH -							REV	
							S	

单击下面可查看定价，库存，交付和生命周期等信息

[>>TE Connectivity\(泰科\)](#)