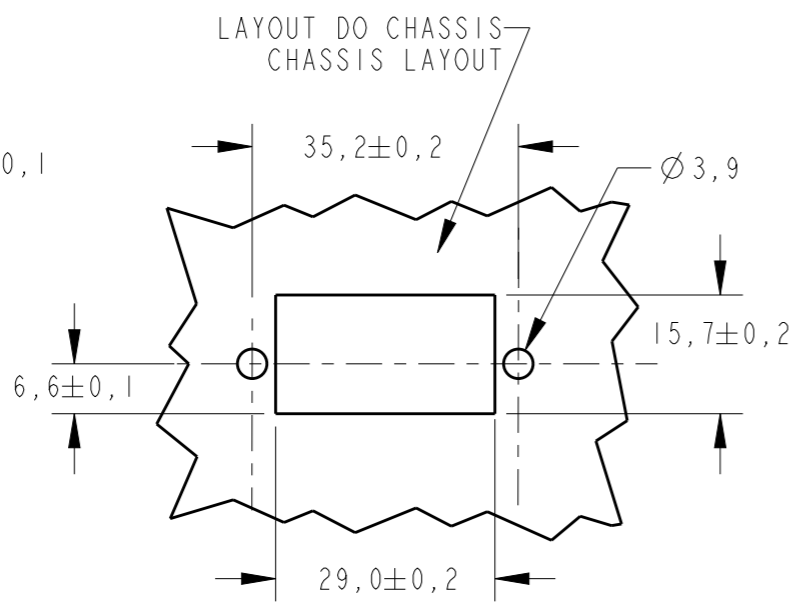
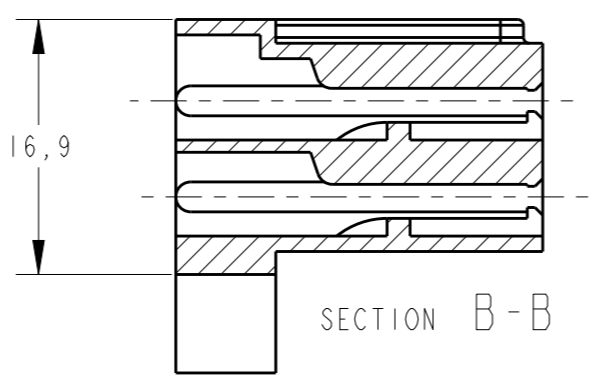
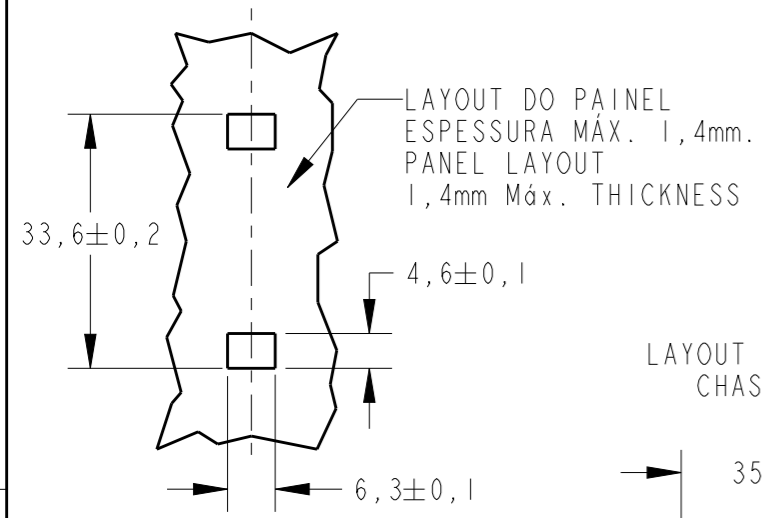
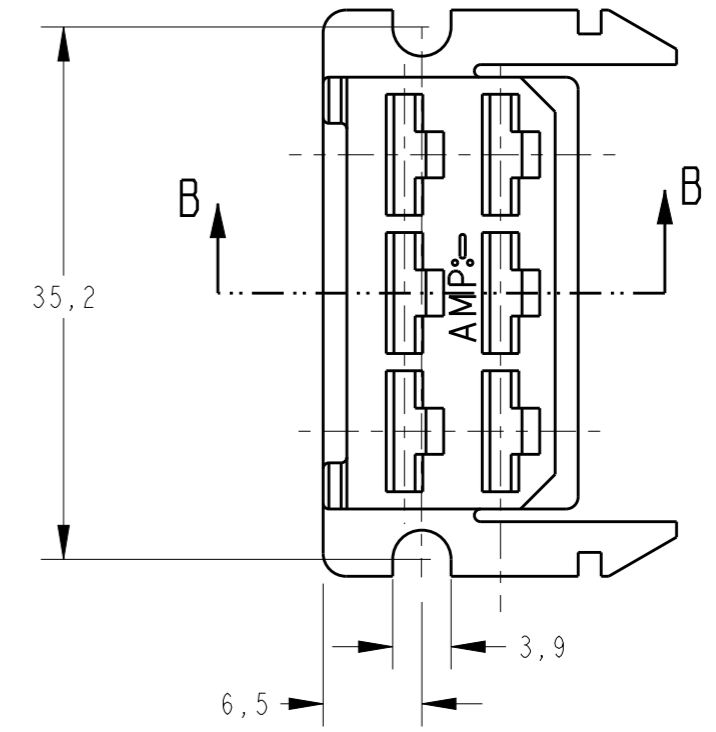
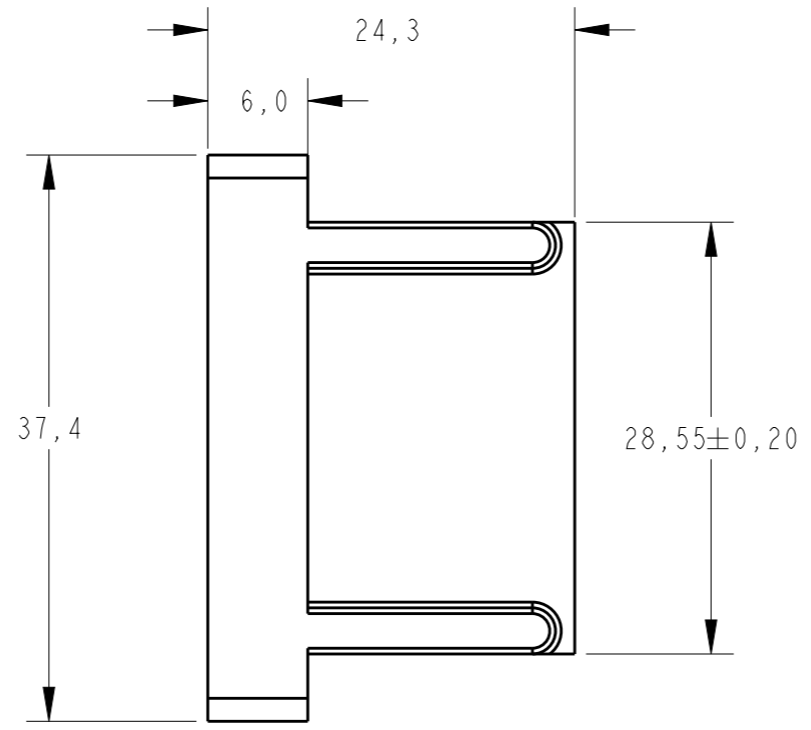
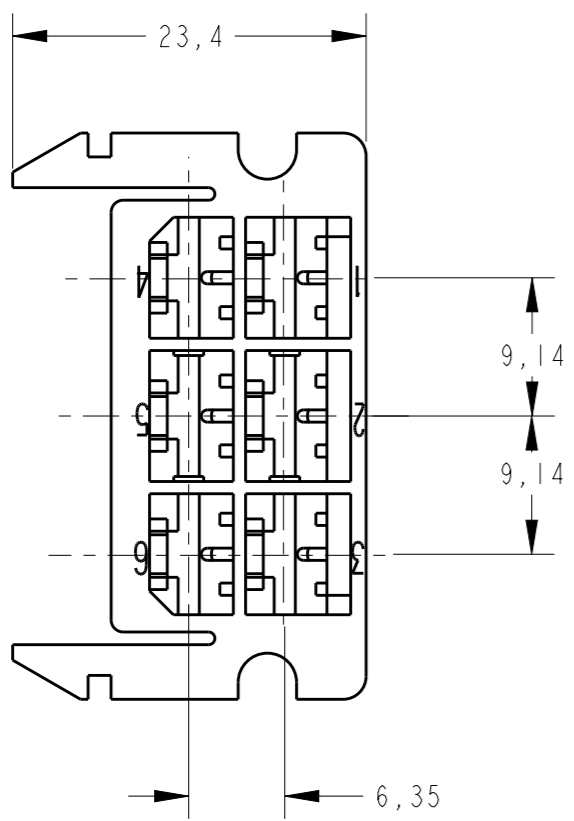


THIS DRAWING IS UNPUBLISHED. RELEASED FOR PUBLICATION 20
 © COPYRIGHT 20 BY - ALL RIGHTS RESERVED.

LOC	DIST	REVISIONS			
P	LTR	DESCRIPTION	DATE	DWN	APVD
AP	-				
F		REDRAW BY ECO-06-026171	31JAN07	H.C	WLS
F1		REVISED BY ECO 16-005803	28JUN2016	HC	WLS
G		REVISED BY ECO 16-011418	16NOV2016	HC	WLS
G1		REV. BY ECO 17-013917	20SEP2017	HC	HC



△ -MATÉRIA-PRIMA CONFORME IEC 60335-1 GWT 750°C SEM CHAMA.
 RAW MATERIAL ACC. TO IEC 60335-1 GWT 750°C WITHOUT FLAME.

OBSOLETE	NATURAL	PA 6.6	1 163006 0
OBSOLETE	LARANJA/ORANGE	PA 6.6	163006 9
OBSOLETE	VIOLETA/VIOLET	PA 6.6	163006 8
OBSOLETE	CINZA/GREY	PA 6.6	163006 7
OBSOLETE	MARROM/BROWN	PA 6.6	163006 6
OBSOLETE	PRETO/BLACK	PA 6.6	163006 5
OBSOLETE	AMARELO/YELLOW	PA 6.6	163006 4
OBSOLETE	AZUL/BLUE	PA 6.6	163006 3
OBSOLETE	VERDE/GREEN	PA 6.6	163006 2
	VERMELHO/RED	PA 6.6	163006-1
	NATURAL	PA 6.6	163006-0
	FINISH	MATERIAL	PART NUMBER

THIS DRAWING IS A CONTROLLED DOCUMENT.

DIMENSIONS:	TOLERANCES UNLESS OTHERWISE SPECIFIED:
mm	
	0 PLC ±-
	1 PLC ±0,3
	2 PLC ±0,3
	3 PLC ±-
	4 PLC ±-
	ANGLES ±-
MATERIAL	FINISH

DWN H.C.CANTERI 16OCT2006
 CHK W.L.STEFANI 16OCT2006
 APVD -

STE TE Connectivity

NAME: 6 WAY FASTIN-ON REC. HSG.

PRODUCT SPEC -
 APPLICATION SPEC -
 WEIGHT -

SIZE: A3 CAGE CODE: 00779 DRAWING NO: C=163006 RESTRICTED TO: -

CUSTOMER DRAWING SCALE: 1/1 SHEET: 1 OF 1 REV: G1

单击下面可查看定价，库存，交付和生命周期等信息

[>>TE Connectivity\(泰科\)](#)