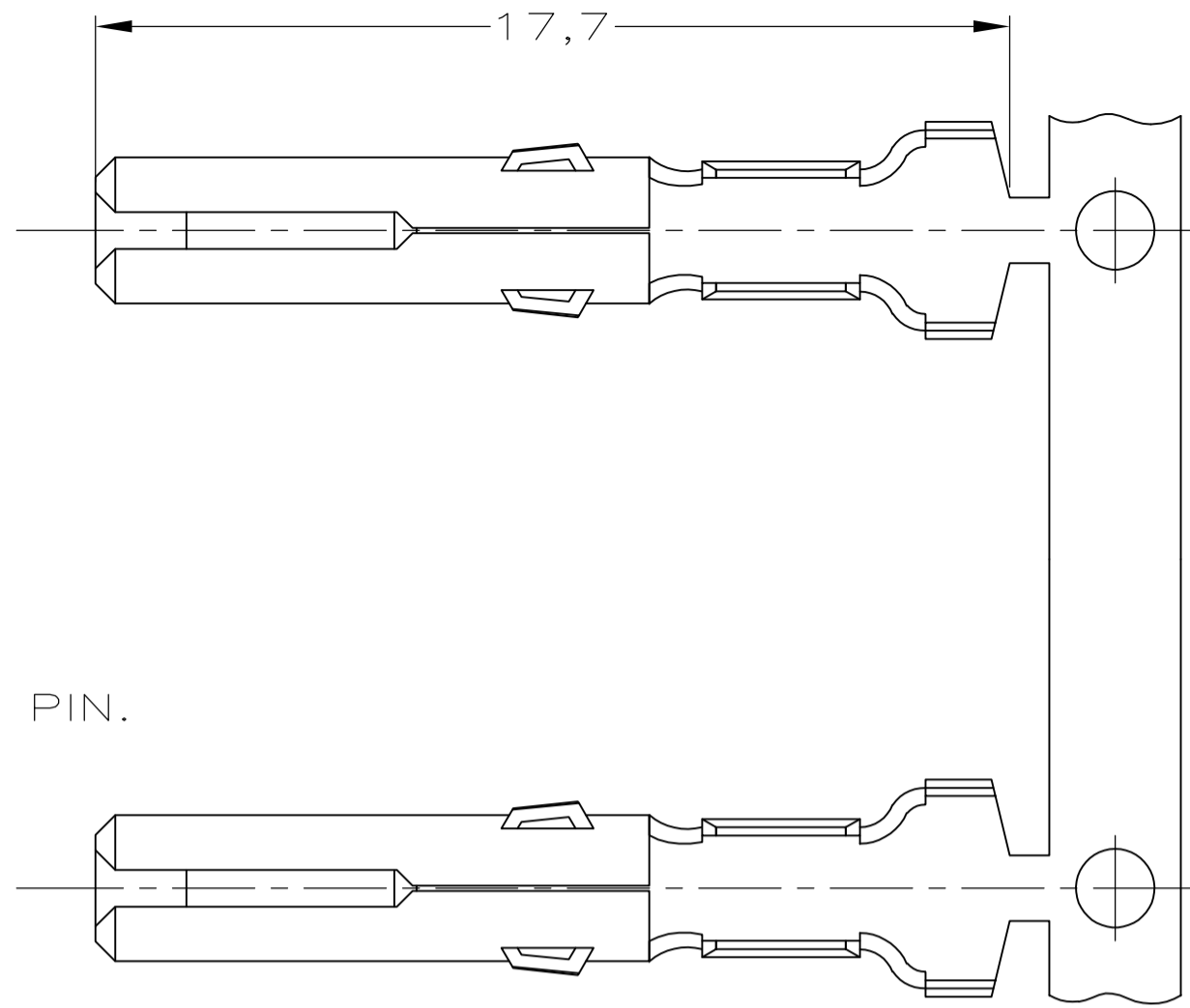
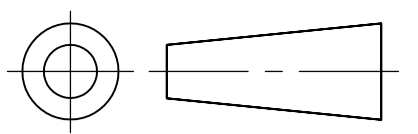


DO NOT SCALE

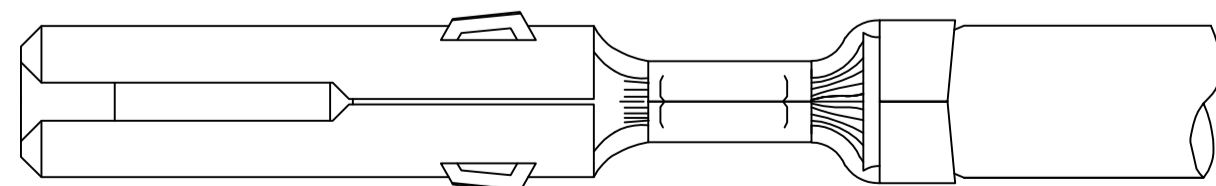
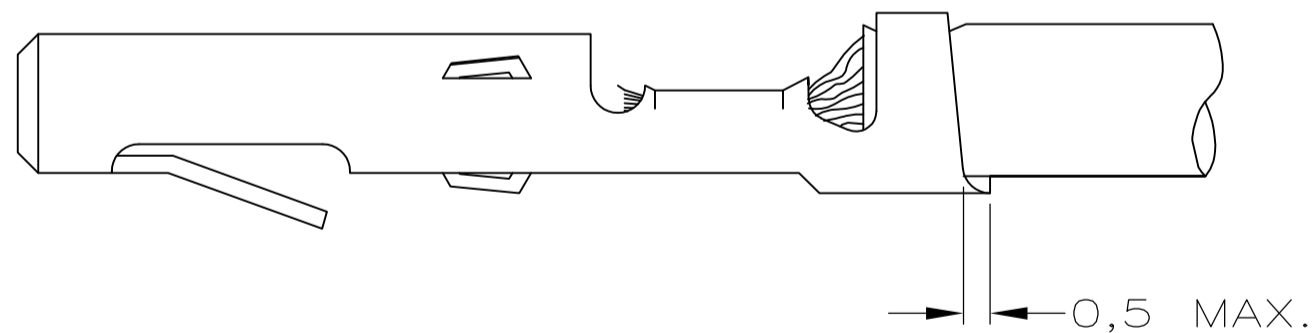
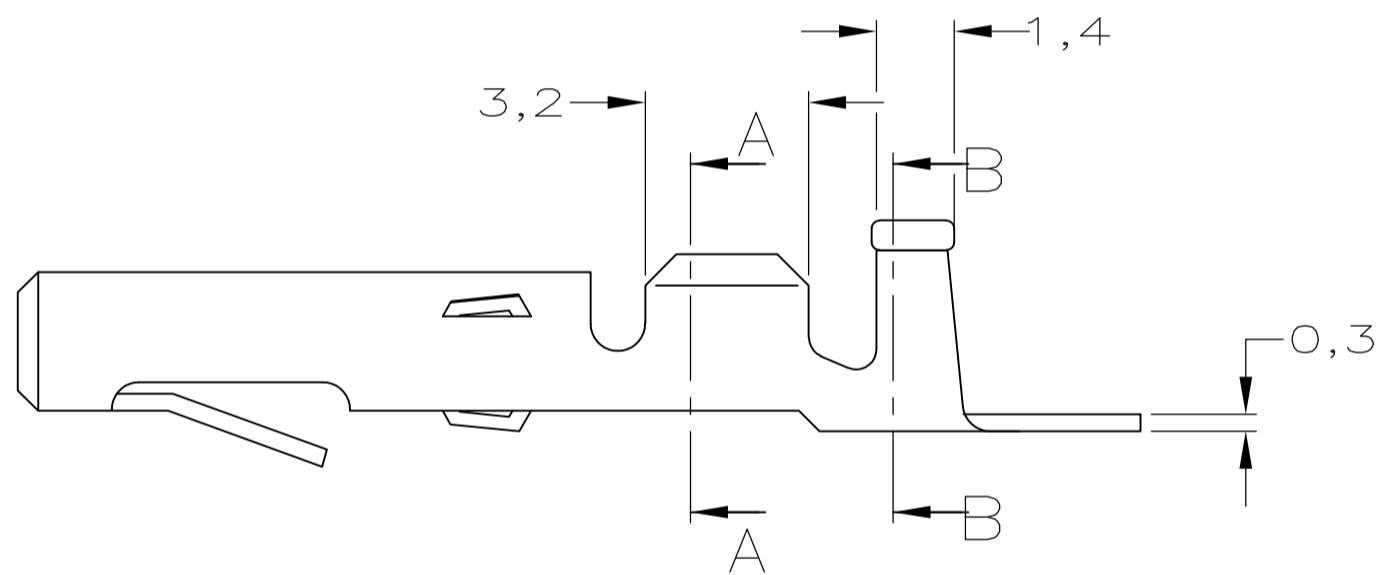
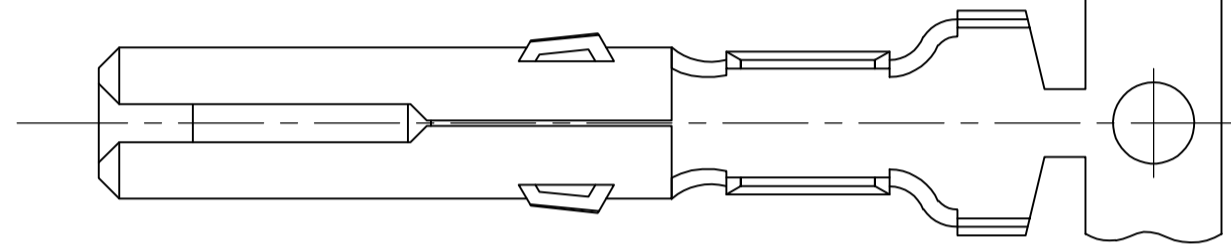
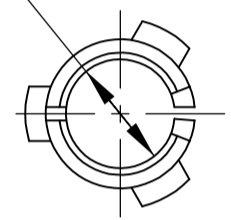
DIMENSIONS IN mm

METRIC

THIRD ANGLE
PROJECTION

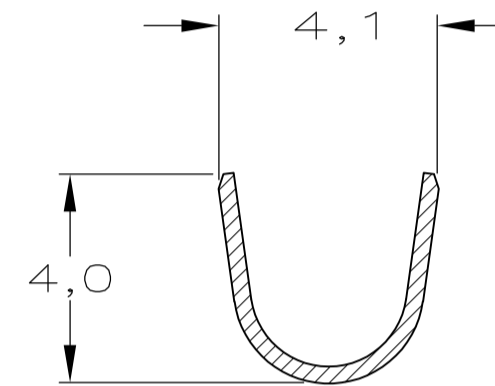


FOR 2,1 DIA. PIN.

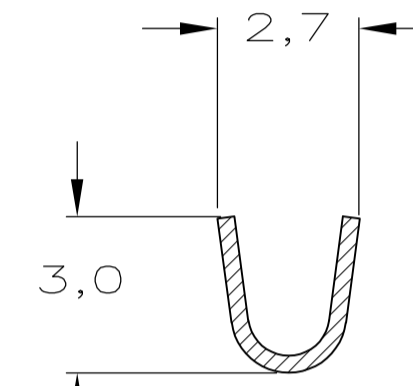


NOTES:

- △1 FOR USE ON STANDARD APPLICATORS.(RIGHT-LEFT FEED)
- △2 FOR USE ON MINIATURE APPLICATORS.(LEFT-RIGHT FEED)
- △3 FOR USE ON MINIATURE APPLICATORS,
AMP O-MATOR APPLICATION.(LEFT-RIGHT FEED)
- △4 OBSOLETE PARTS: OBSOLETE CIS STREAMLINING PER D.RENAUD/D.SINISI



SECTION B-B



SECTION A-A

WIRE RANGE :	0,5-1,0mm ² AWG
INSULATION RANGE :	1,8-3,3mm DIA.

△4 OBSOLETE	△2	SEL. GOLD	BRASS	-8=163300-1
OBSOLETE	△3	PRE-TINPLATED	BRASS	1=163300-5
	△2	PRE-TINPLATED	PHOSPHOR BR.	163300-8
	△2	UNPLATED	PHOSPHOR BR.	163300-7
	△2	PRE-TINPLATED	BRASS	163300-6
	△2	UNPLATED	BRASS	163300-5
△4 OBSOLETE	△1	PRE-TINPLATED	PHOSPHOR BR.	163300-4
	△1	UNPLATED	PHOSPHOR BR.	163300-3
	△1	PRE-TINPLATED	BRASS	163300-2
	△1	UNPLATED	BRASS	163300-1
		PLATING	MATERIAL	PARTNUMBER

—					CUSTOMER DRAWING		FOR REFERENCE ONLY WILL NOT BE UPDATED					
—					© COPYRIGHT — BY							
—					ALL INTERNATIONAL RIGHTS RESERVED.							
—					THIS DRAWING IS UNPUBLISHED RELEASED FOR PUBLICATION —,19—							
—												
—												
J2	REVISED PER ECO-11-005294	RK	HMR	13APR11	NAME		SOCKET MATE-N-LOK.					
LTR.	REVISION RECORD	DR.	CHK.	DATE								
DR.:	J.V.D.HEIJDEN.	CHK.:	A.BIJNEN.	APP.:	L.V.SOEST.	DWG.No.	163300	REV.LTR.	J2	SHEET	1 OF 1	A3
DATE:	10-04-92	DATE:	-	DATE:	-							

单击下面可查看定价，库存，交付和生命周期等信息

[>>TE Connectivity\(泰科\)](#)