

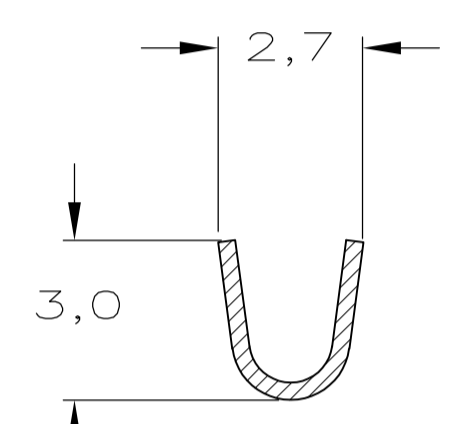
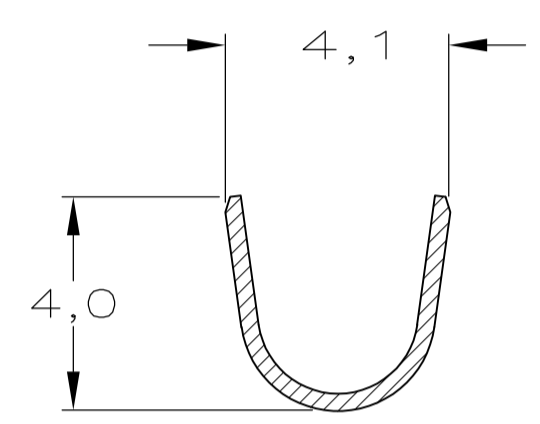
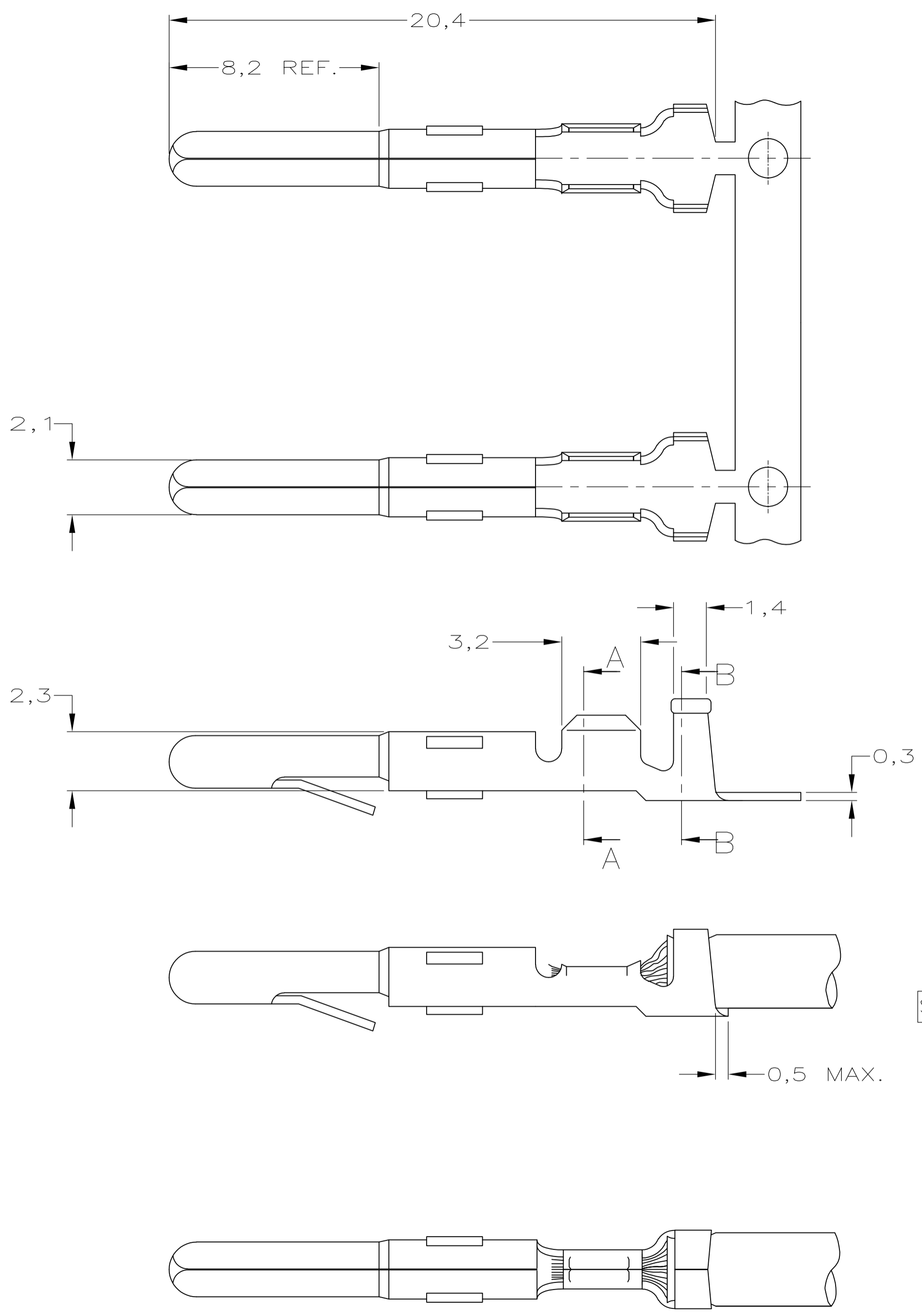
DO NOT SCALE  
DIMENSIONS IN mm

METRIC

THIRD ANGLE  
PROJECTION

NOTES:

- △1 FOR USE ON STANDARD APPLICATORS.(RIGHT-LEFT FEED)
- △2 FOR USE ON MINIATURE APPLICATORS.(LEFT-RIGHT FEED)
- △3 FOR USE ON MINIATURE APPLICATORS,  
AMP O-MATOR APPLICATION.(LEFT-RIGHT FEED)
- △4 OBSOLETE PARTS: OBSOLETE CIS STREAMLINING PER D.RENAUD/D.SINISI



WIRE RANGE :  
0,5-1,0mm<sup>2</sup> AWG  
INSULATION RANGE :  
1,8-3,3mm DIA.

PLATING	PLATING	MATERIAL	PARTNUMBER
	△2	SEL. GOLD	-
△4 OBSOLETE	△3 △1	BRASS	8-163301-3
	△2	NICKEL	1-163301-7
	△1	NICKEL	1-163301-2
	△2	PRE-TINPLATED	BRASS
△4 OBSOLETE	△2	UNPLATED	PHOSPHOR BR.
	△2	PRE-TINPLATED	PHOSPHOR BR.
△4 OBSOLETE	△2	UNPLATED	BRASS
	△1	PRE-TINPLATED	BRASS
	△1	UNPLATED	PHOSPHOR BR.
SUP BY 163301-6	△1	PRE-TINPLATED	PHOSPHOR BR.
	△1	UNPLATED	BRASS
	△1	UNPLATED	BRASS

K2					REVISED PER ECO-11-05294					RK		HMR		05APR11			
DR.: J.V.D.HEIJDEN.					CHK.: A.BIJNEN.					APP.: L.V.SOEST.		DWG.No.		REV.LTR.		SHEET	
DATE: 10-04-92					DATE: -					DATE: -		C-163301		K2		1 OF 1	
<p style="text-align: right;">CUSTOMER DRAWING FOR REFERENCE ONLY WILL NOT BE UPDATED</p> <p>© COPYRIGHT 19 - BY -</p> <p>ALL INTERNATIONAL RIGHTS RESERVED.</p> <p>THIS DRAWING IS UNPUBLISHED RELEASED FOR PUBLICATION - ,19 -</p> <p style="text-align: center;"><b>TE</b> TE Connectivity</p> <p style="text-align: center;">NAME PIN MATE-N-LOK.</p>																	
A3																	

单击下面可查看定价，库存，交付和生命周期等信息

[>>TE Connectivity\(泰科\)](#)