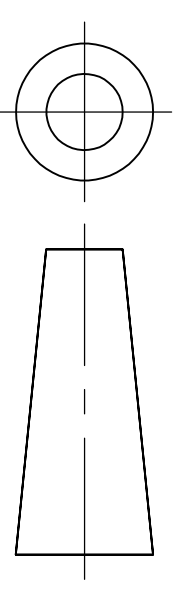


DO NOT SCALE

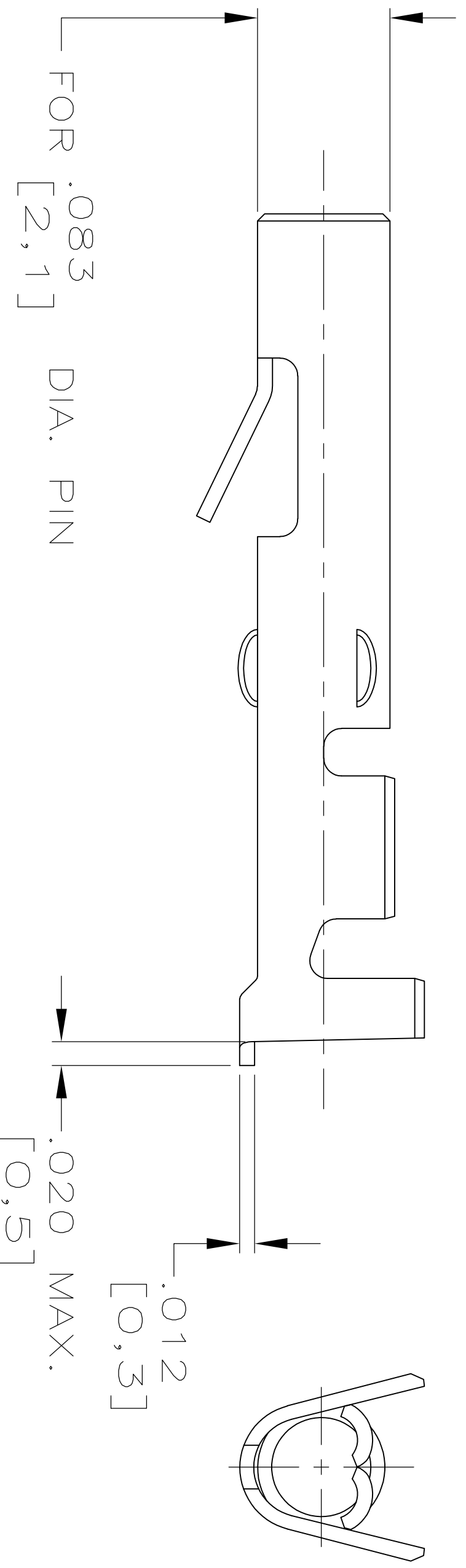
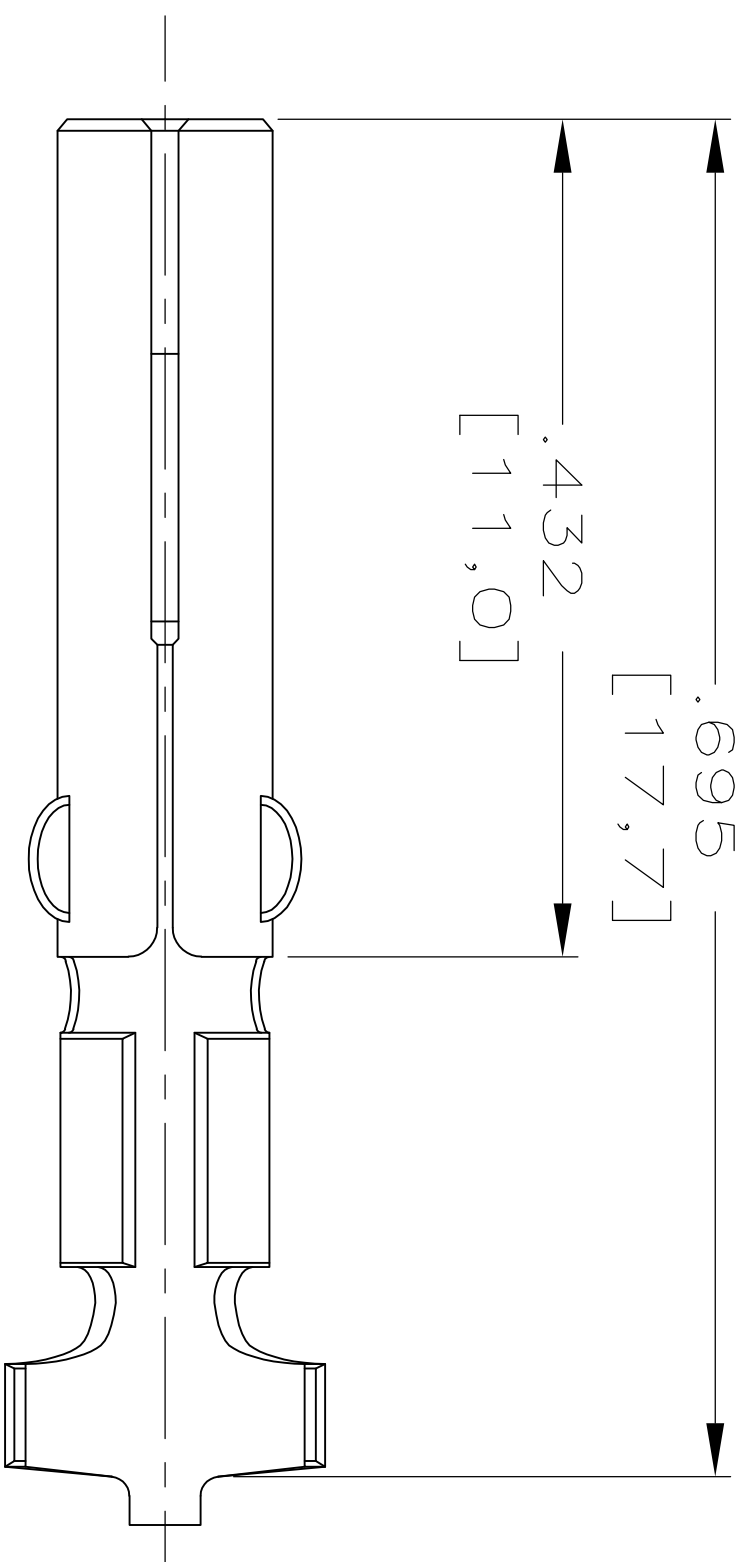
INCH

THIRD ANGLE
PROJECTION



DIMENSIONS IN INCH

| | |
|--------------------|-----------------------------|
| WIRE RANGE : | 0,5-1,0mm ² AWG |
| INSULATION RANGE : | .070-.130 DIA. (1,8-3,3) |



| | | |
|---------|-----------|------------|
| PRE TIN | Ph BRONZE | 163304-4 |
| NONE | Ph BRONZE | 163304-3 |
| PRE TIN | BRASS | 163304-2 |
| NONE | BRASS | 163304-1 |
| FINISH | MATERIAL | PARTNUMBER |

CUSTOMER DRAWING

FOR REFERENCE ONLY
WILL NOT BE UPDATED

THIS DRAWING IS UNPUBLISHED
RELEASED FOR PUBLICATION _____, 19____



TE Connectivity

POCKET MATE-N-LOK
LOOSE PIECE

| | | |
|------------------------------|----------------|---------|
| DR.: D.KESSLER | CHK.: P.BEJNON | APP.: - |
| DATE: - | DATE: - | DATE: - |
| LTR. REVISION RECORD | DR. CHK. | DATE |
| D1 REVISED PER ECO-11-005294 | RK HMR | 02APR11 |

| | | | | | | |
|---------|--------|----------|----|-------|--------|----|
| DWG.No. | 163304 | REV.LTR. | D1 | SHEET | 1 OF 1 | A4 |
|---------|--------|----------|----|-------|--------|----|

单击下面可查看定价，库存，交付和生命周期等信息

[>>TE Connectivity\(泰科\)](#)