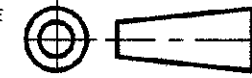


DO NOT SCALE

DIMENSIONS IN mm

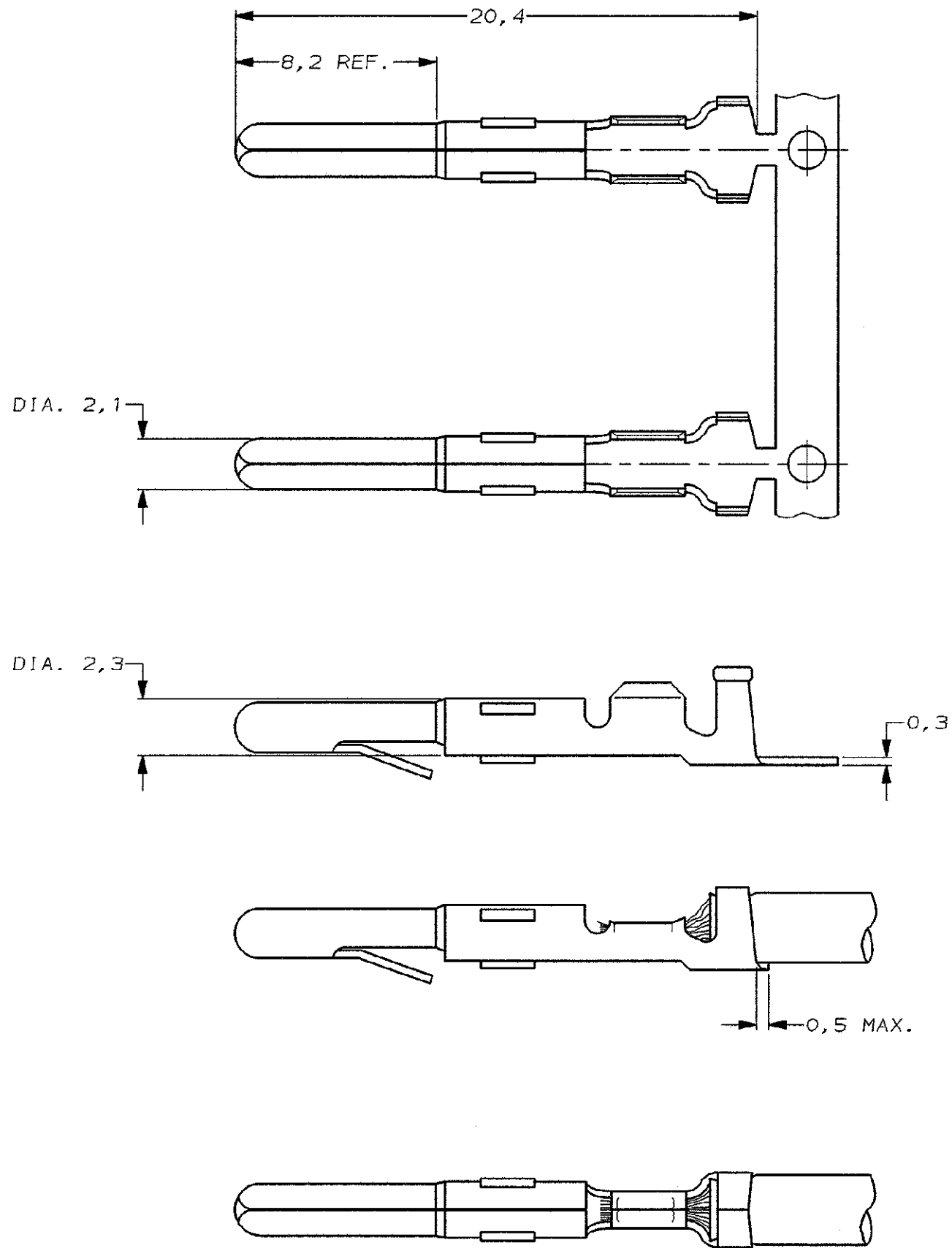
METRIC

THIRD ANGLE  
PROJECTION



NOTES:

- ① FOR USE ON STANDARD APPLICATORS (RIGHT- LEFT FEED).
- ② FOR USE ON MINIATURE APPLICATORS (LEFT- RIGHT FEED)



WIRE RANGE :  
0,3-0,75mm  
INSULATION RANGE :  
1,4-2,4 DIA.

NOTES	PLATING	MATERIAL	PARTNUMBER
②	PRE-TINPLATED	PHOSPHOR BR.	163555-8
②	UNPLATED	PHOSPHOR BR.	163555-7
②	PRE-TINPLATED	BRASS	163555-6
②	UNPLATED	BRASS	163555-5
①	PRE-TINPLATED	PHOSPHOR BR.	163555-4
①	UNPLATED	PHOSPHOR BR.	163555-3
①	PRE-TINPLATED	BRASS	163555-2
①	UNPLATED	BRASS	163555-1

<b>CUSTOMER DRAWING</b>			
FOR REFERENCE ONLY WILL NOT BE UPDATED			
© COPYRIGHT 19- BY AMP HOLLAND B.V. ALL INTERNATIONAL RIGHTS RESERVED. AMP PRODUCTS MAY BE COVERED BY U.S. AND FOREIGN AND/OR PATENTS PENDING. THIS DRAWING IS UNPUBLISHED RELEASED FOR PUBLICATION			
<b>AMP</b>		AMP HOLLAND B.V. 's-Hertogenbosch, The Netherlands.	
NAME <b>PIN MATE-N-LOK.</b>			
B	EH-1221-96	JvL AB	24-10-96
LTR.	REVISION RECORD	DR.	CHK. DATE
DR.:	J.v.LIEMPT	CHK.:	A.BIJNEN.
DATE:	24 OCT 96	APP.:	M.v.DRIEL
		DATE:	
DWG.No.		REV.LTR.	SHEET
C-163555		B	1 OF 1

单击下面可查看定价，库存，交付和生命周期等信息

[>>TE Connectivity\(泰科\)](#)