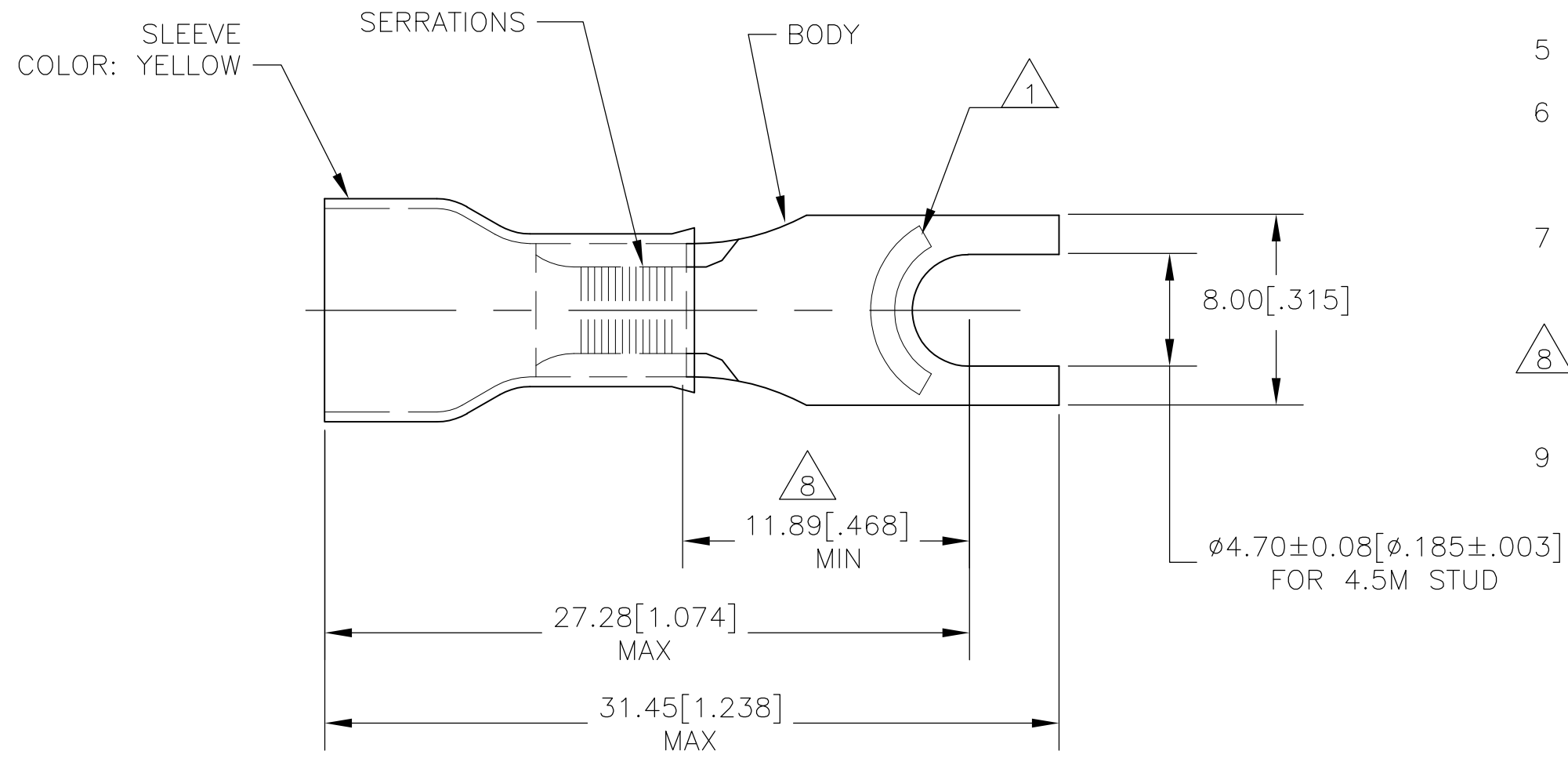


THIS DRAWING IS UNPUBLISHED. RELEASED FOR PUBLICATION
 © COPYRIGHT - By - ALL RIGHTS RESERVED.

LOC	DIST	REVISIONS			
P	LTR	DESCRIPTION	DATE	DWN	APVD
G	14	B2	REVISED PER ECO-11-020548	02FEB12	KH DR



- 1 STAMP "AMP 12-10*", LOCATION APPROX AS SHOWN.
- 2 WIRE INSULATION DIA 3.8-6.4
- 3 OPERATING TEMPERATURE 90°C MAX
- 4 VOLTAGE RATING 600V MAX
- 5 CMA 2.62-6.64mm² [5,180-13,100]
- 6 MATERIAL:
BODY - COPPER PER ASTM B-152
INSULATION - PVC
- 7 FINISH:
BODY - TIN PL PER ASTM B-545
INSULATION - COLOR-YELLOW
- 8 APPLIES FROM EDGE OF METAL WIRE BARREL TO CENTER OF STUD HOLE.
- 9 MATERIAL THICKNESS IS 1.00±0.05 [.0393±.002]

OBSOLETE	-	REEL, ON TAPE	2-165015-1
	500	LOOSE PIECE	165015
	QTY	PACKAGE TYPE	PART NO

THIS DRAWING IS A CONTROLLED DOCUMENT.		DWN jr_ruth 20FEB06	STE TE Connectivity													
DIMENSIONS: mm [INCHES]		CHK T MICHELUTTI 20FEB06														
TOLERANCES UNLESS OTHERWISE SPECIFIED:		APVD T MICHELUTTI 20FEB06	NAME TERMINAL SPADE, PLASTI-GRIP, WIRE SIZE 12:10													
<table border="0"> <tr><td>0 PLC</td><td>± -</td></tr> <tr><td>1 PLC</td><td>± -</td></tr> <tr><td>2 PLC</td><td>± 0.20 [.008]</td></tr> <tr><td>3 PLC</td><td>± -</td></tr> <tr><td>4 PLC</td><td>± -</td></tr> <tr><td>ANGLES</td><td>± 5°</td></tr> </table>		0 PLC	± -	1 PLC	± -	2 PLC	± 0.20 [.008]	3 PLC	± -	4 PLC	± -	ANGLES	± 5°	PRODUCT SPEC -	-	
0 PLC	± -															
1 PLC	± -															
2 PLC	± 0.20 [.008]															
3 PLC	± -															
4 PLC	± -															
ANGLES	± 5°															
MATERIAL -		FINISH -	APPLICATION SPEC -	RESTRICTED TO -												
CUSTOMER DRAWING			SIZE A3	CAGE CODE 00779												
			DRAWING NO C-165015	REV B2												
			SCALE 4:1	SHEET 1 OF 1												

单击下面可查看定价，库存，交付和生命周期等信息

[>>TE Connectivity\(泰科\)](#)