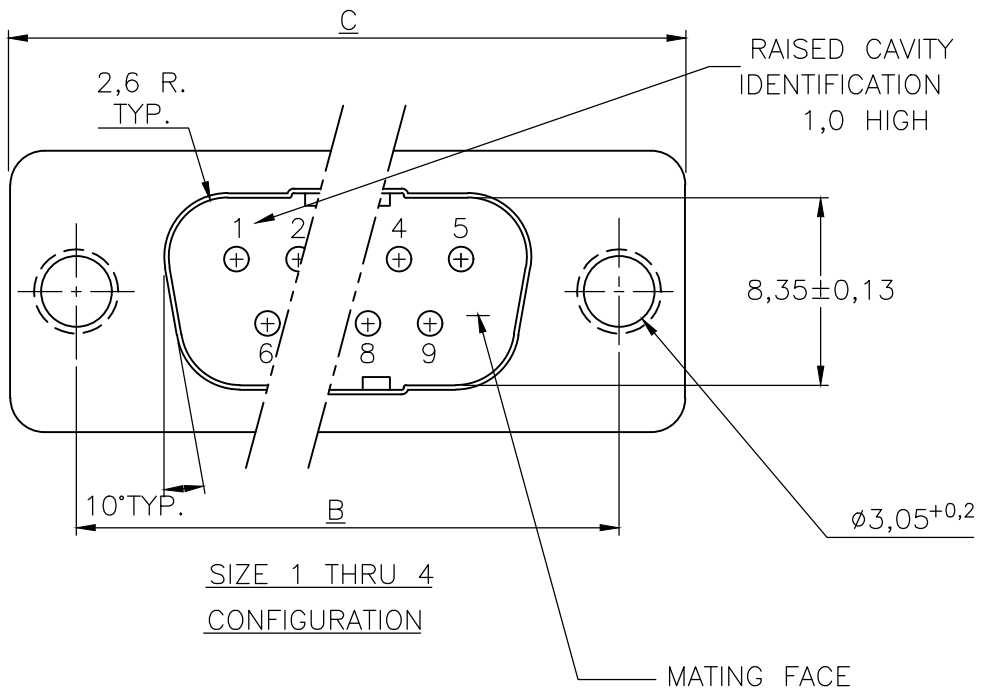


THIS DRAWING IS UNPUBLISHED. RELEASED FOR PUBLICATION
 © COPYRIGHT - By - ALL RIGHTS RESERVED.

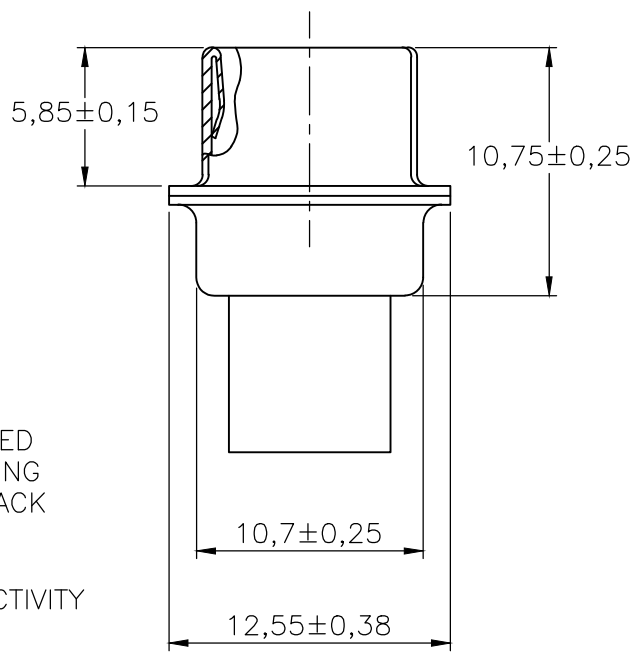
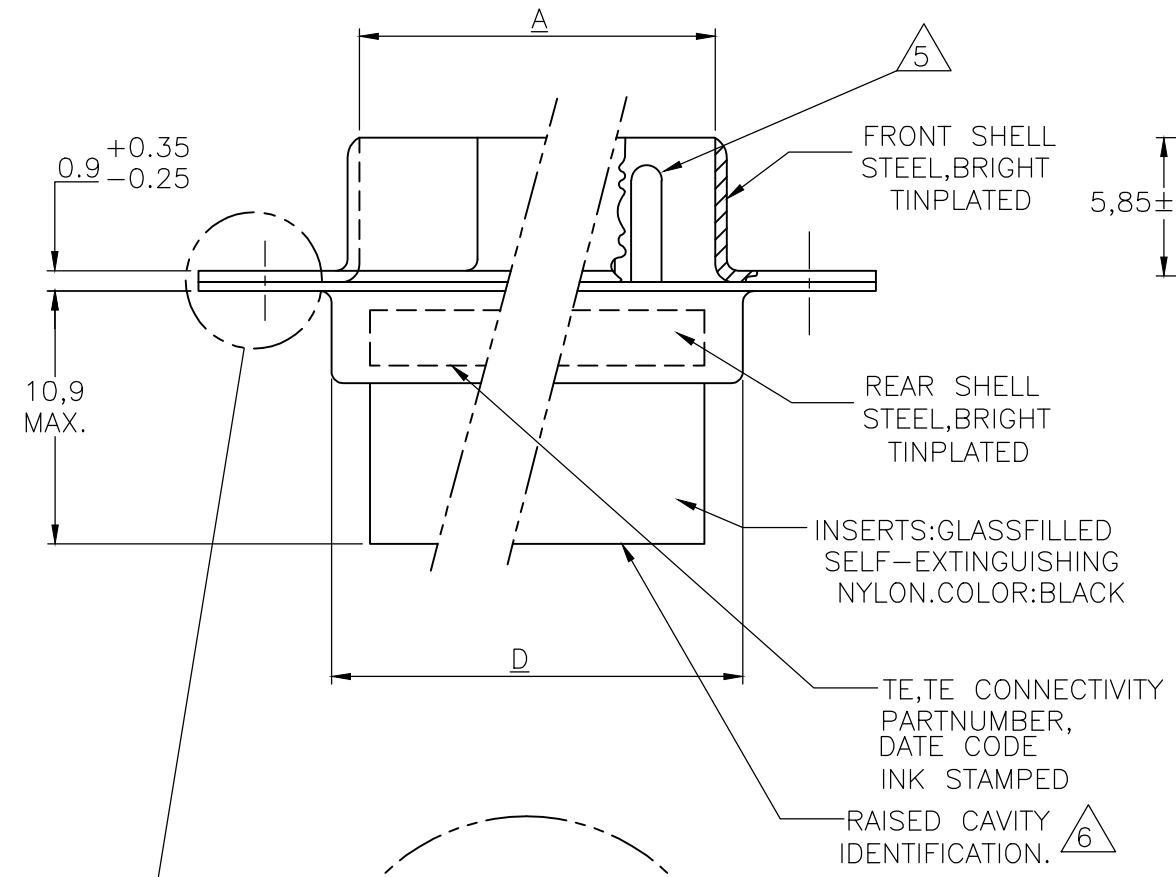
LOC	DIST	REVISIONS			
P	LTR	DESCRIPTION	DATE	DWN	APVD
H	-	R	REVISED PER ECO-18-001571	08FEB2018	AP DG



NOTES:

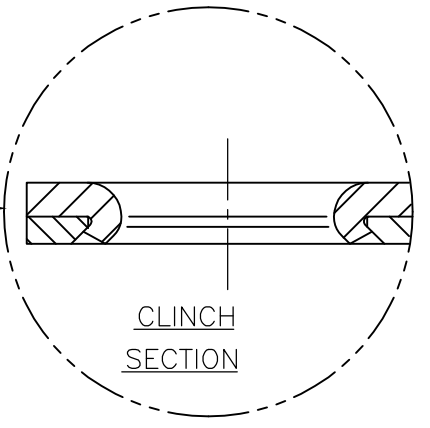
- THIS PLUG ACCEPTS SIZE 20 PIN CONTACTS.
 - MAXIMUM WIRE INSULATION RECOMMENDED FOR USE WITH THIS PLUG IS 1,73 DIA. MAX..
 - RETENTION TINES ARE AN INTEGRAL PART OF INSERT.
 - FOLLOWING INSERTION/REMOVAL TOOLS ARE RECOMMENDED FOR USE WITH THESE CONNECTORS:

32-28AWG/28-24AWG CONT's	24-20AWG CONTACTS
91067-3 INSERTION/REMOVAL	91067-2 INSERTION/REMOVAL
726363-1 INSERTION ONLY	726363-1 INSERTION ONLY
	726364-1 REMOVAL ONLY
- △5 CONTACTS SHOWN FOR ILLUSTRATION ONLY, NO PART OF CONNECTOR PACKAGE ;MUST BE ORDERED SEPARATELY.
- △6 RAISED CAVITY IDENTIFICATION NUMBERS ON WIRE SIDE ARE WHITENED FOR -9 P/N'S.



D	C	B	A	NR.OF POS	SIZE	ORDER NUMBER
±0,25	±0,38	±0,13	±0,13			
55,3	66,9	61,1	52,9	50	5	167296-9 167296-1
57,7	69,3	63,5	55,4	37	4	167295-9 167295-1 OBSOLETE
41,3	53,0	47,0	39,0	25	3	167294-9 167294-1
27,5	39,1	33,3	25,3	15	2	167293-9 167293-1
19,3	30,8	25,0	16,9	9	1	167292-9 167292-1

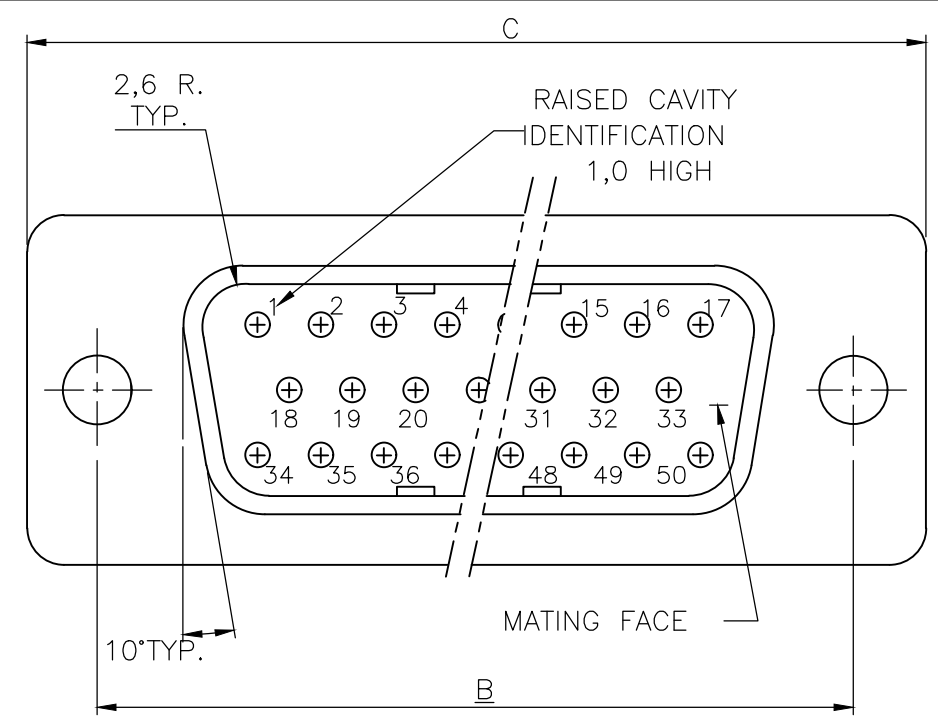
FOR DETAILS SIZE 5, SEE SHEET 2.



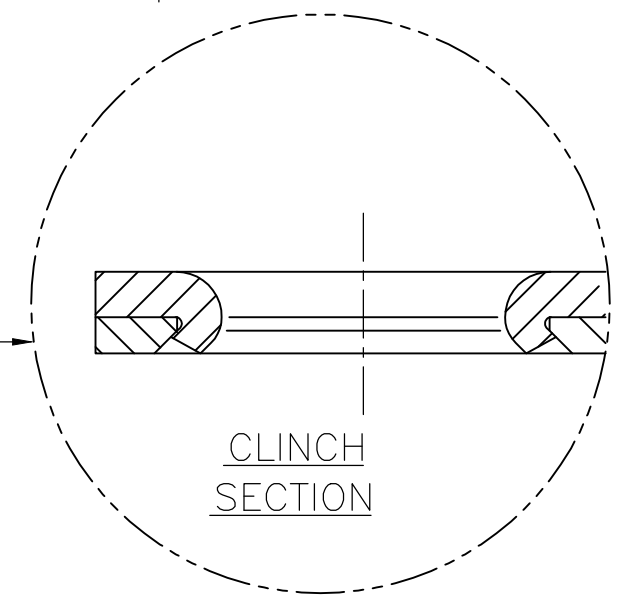
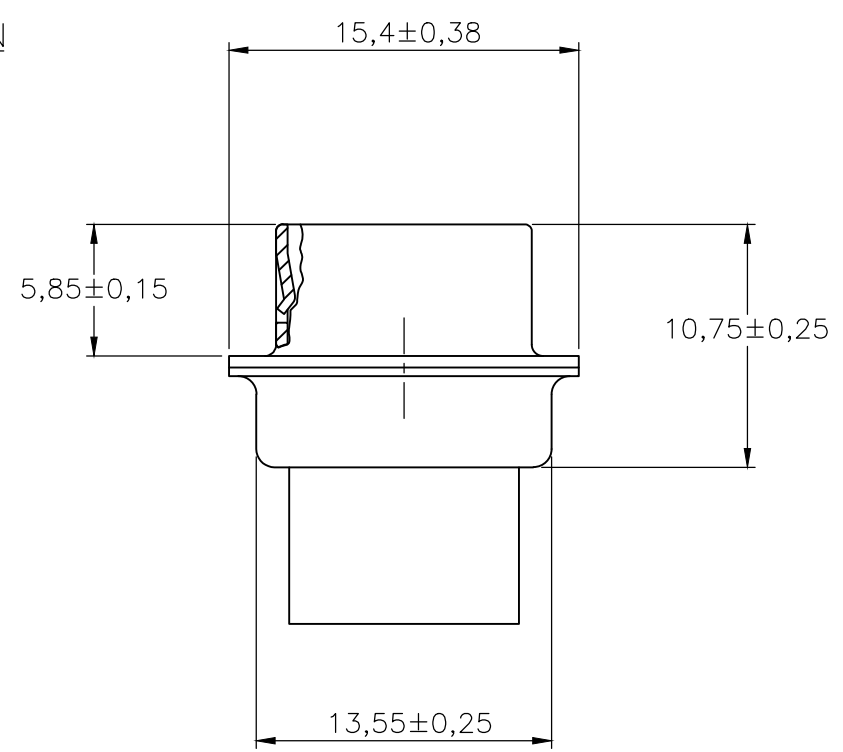
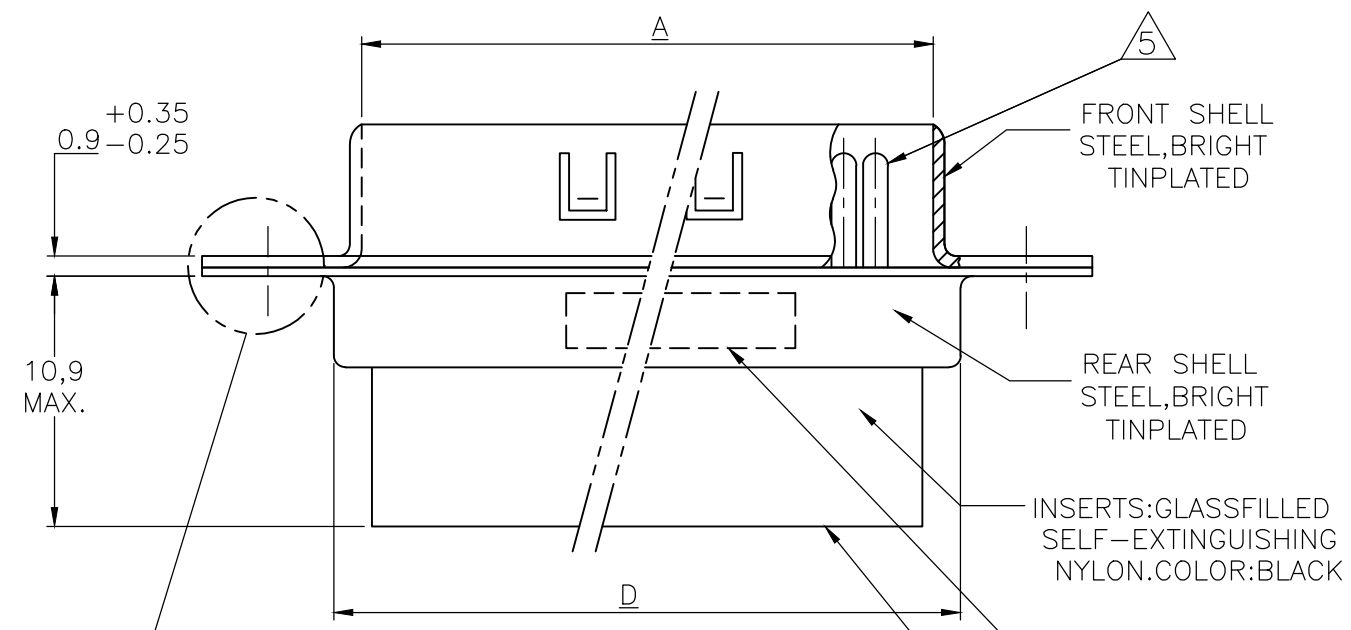
THIS DRAWING IS A CONTROLLED DOCUMENT.		DWN B.MOOIJ 20NOV87	STE TE Connectivity				
DIMENSIONS: mm		CHK -					
TOLERANCES UNLESS OTHERWISE SPECIFIED:		APVD -	NAME				
0 PLC ± -	± 2°	PRODUCT SPEC -	HDP-20 PLUG CONNECTOR, SIZE 1-4				
1 PLC ± 0,2		APPLICATION SPEC -	SIZE	CAGE CODE	DRAWING NO	RESTRICTED TO	
2 PLC ± -		WEIGHT	A3	00779	C-167292	-	
3 PLC ± -		MATERIAL -	CUSTOMER DRAWING		SCALE NTS	SHEET 1 OF 2	REV R
4 PLC ± -		FINISH -					

THIS DRAWING IS UNPUBLISHED. RELEASED FOR PUBLICATION
 © COPYRIGHT - By - ALL RIGHTS RESERVED.

LOC	DIST	REVISIONS			
P	LTR	DESCRIPTION	DATE	DWN	APVD
H	-	SEE SHEET 1	-	-	-



SIZE 5
CONFIGURATION



FRONT SHELL STEEL, BRIGHT TINPLATED
 REAR SHELL STEEL, BRIGHT TINPLATED
 INSERTS: GLASS FILLED SELF-EXTINGUISHING NYLON. COLOR: BLACK
 TE, TE CONNECTIVITY PARTNUMBER, DATE CODE INK STAMPED
 RAISED CAVITY IDENTIFICATION.

THIS DRAWING IS A CONTROLLED DOCUMENT.		DWN B.MOOIJ 20NOV87	TE Connectivity	
DIMENSIONS: mm		CHK -		
TOLERANCES UNLESS OTHERWISE SPECIFIED:		APVD -	NAME	
0 PLC ± -	1 PLC ± 0,2	PRODUCT SPEC -	HDP-20 PLUG CONNECTOR, SIZE 5	
2 PLC ± -	3 PLC ± -	APPLICATION SPEC -	SIZE	CAGE CODE
4 PLC ± -	ANGLES ± 2°	WEIGHT -	A3	00779
MATERIAL -	FINISH -	CUSTOMER DRAWING	DRAWING NO	RESTRICTED TO
			G-167292	-
			SCALE NTS	SHEET 2 OF 2
			REV R	

单击下面可查看定价，库存，交付和生命周期等信息

[>>TE Connectivity\(泰科\)](#)

[>>点击查看相关商品](#)