

THIS DRAWING IS UNPUBLISHED.

RELEASED FOR PUBLICATION

20

© COPYRIGHT 20

ALL RIGHTS RESERVED.

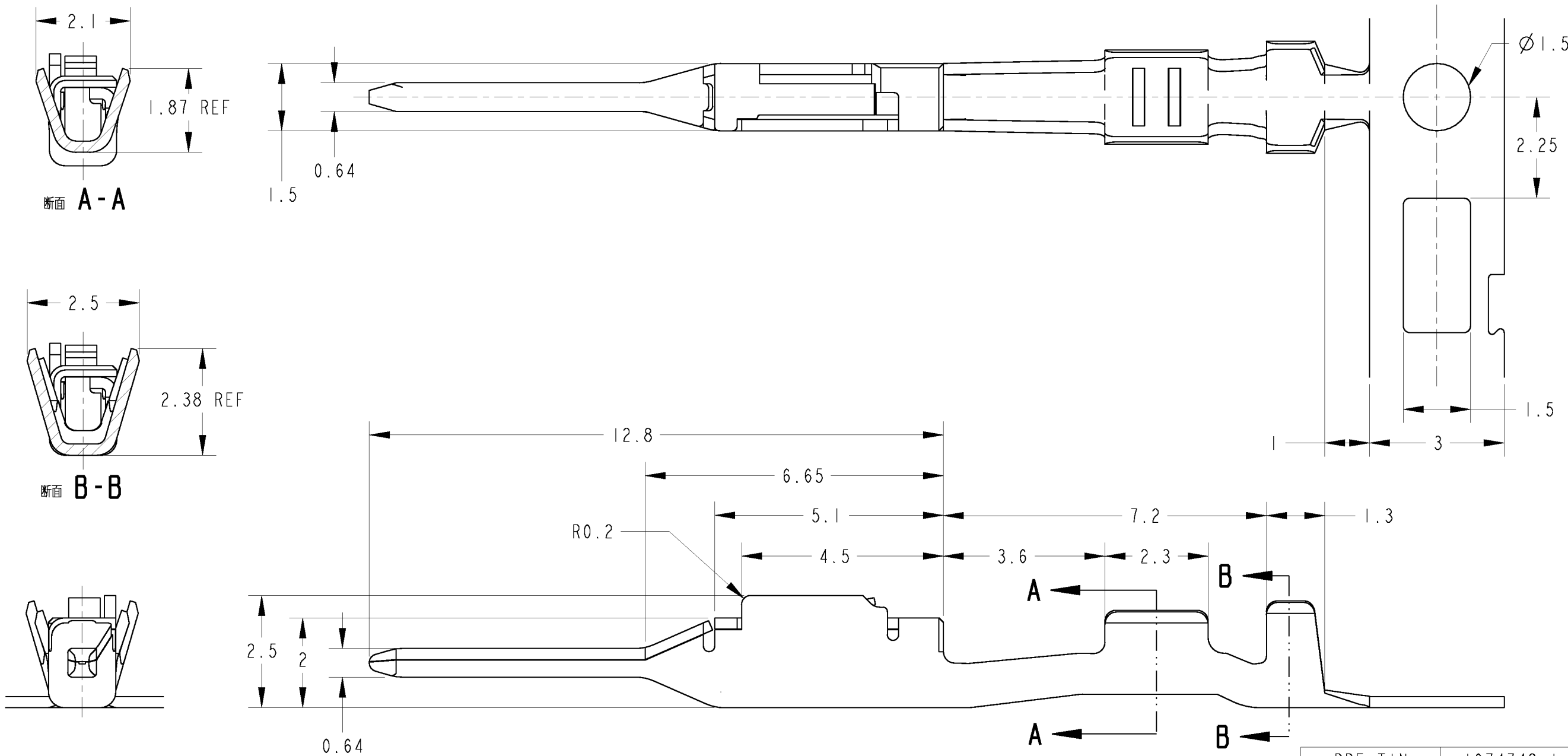
LOC J

DIST -

REVISIONS

変更

P	LTR	DESCRIPTION	DATE	DWN	APVD
P		REVISED PER ECO-11-005140	02APR2011	RK	HMR



- 1. 適用電線; AVSS, CAVS, CAVUS, AVSSH-f 0.3~0.5mm²
- 2. アプリケータ送りピッチ; 7.5mm

- 1. APPLICABLE WIRE RANGE;
AVSS, CAVS, CAVUS, AVSSH-f 0.3~0.5mm²
- 2. APPLICATOR FEED; 7.5mm

THIS DRAWING IS A CONTROLLED DOCUMENT.

DIMENSIONS: 単位: ㎜	TOLERANCES UNLESS OTHERWISE SPECIFIED: 一般公差 ±0.3
	0-PLC ±
	1-PLC ±0.5
	2-PLC ±0.13
	3-PLC ±0.013
	4-PLC ±0.001
	ANGLES ±3'00"
MATERIAL 材料 COPPER Alloy	FINISH 仕上 SEE TABLE

DWN S. FURUYA	19-JUN-03
CHK T. KOHNO	19-JUN-03
APVD K. SHIMIZU	19-JUN-03
PRODUCT SPEC 製品規格	
APPLICATION SPEC 取付適用規格	114-5340
WEIGHT	0.2g

WIRE RANGE 包合電線断面積	0.37~0.56mm ²	INSULATION DIA 被覆外径	Ø1.1~1.7
-----------------------	--------------------------	------------------------	----------



NAME 名称
025 TH TAB CONTACT

SIZE	CAGE CODE	DRAWING NO 番号	RESTRICTED TO
A3	00779	C=1674742	-

CUSTOMER DRAWING SCALE 尺度 10:1 SHEET 1 OF 1 REV P

单击下面可查看定价，库存，交付和生命周期等信息

[>>TE Connectivity\(泰科\)](#)