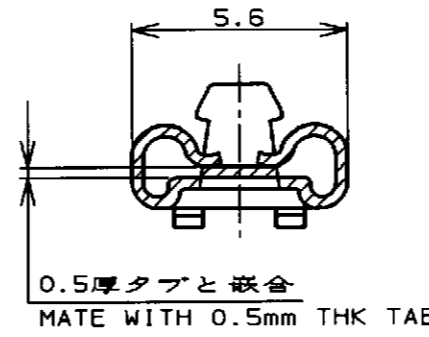
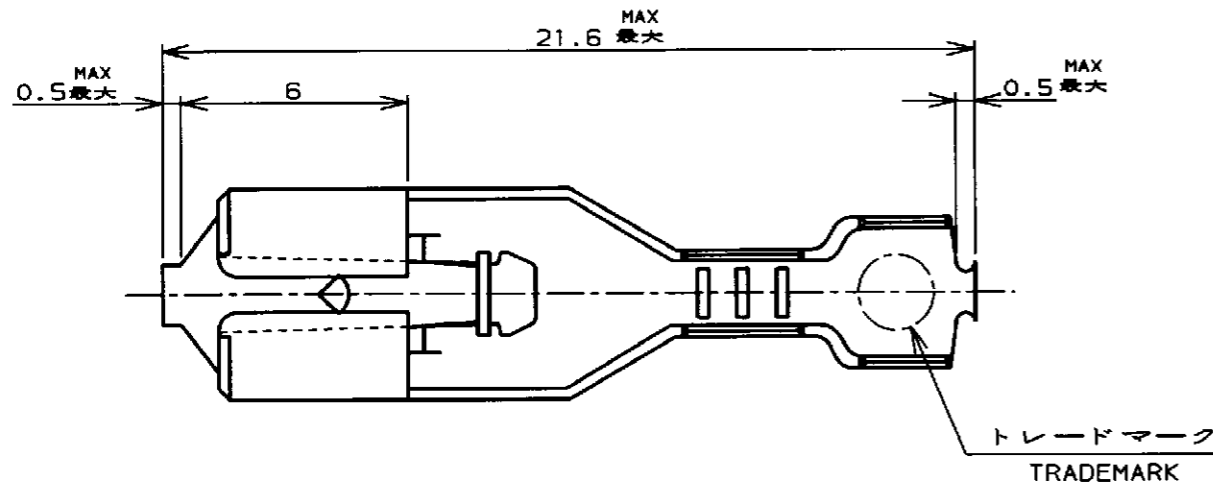


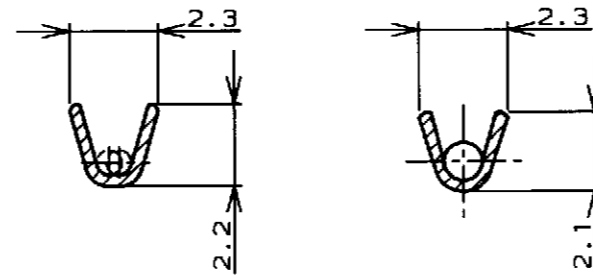
LOC J
DIST //

REVISIONS

P	LTR	DESCRIPTION	DATE	DWN	APVD
H2		REVISED PER ECO-11-005030	22MAR11	RK	HMR
H3		REVISED PER ECO-17-016487	10NOV2017	RS	HG

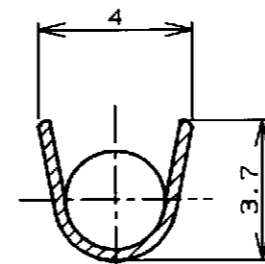
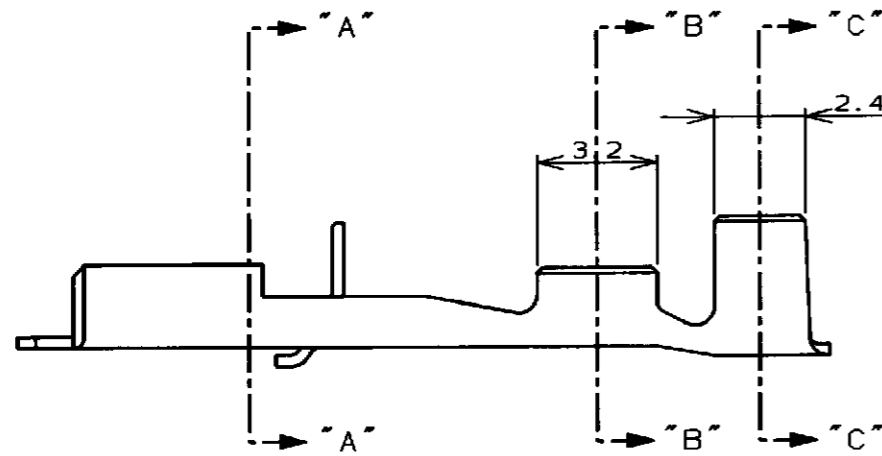


断面 "A"- "A"
SECTION "A"- "A"



TYPE "B" TYPE "A"

断面 "B"- "B"
SECTION "B"- "B"



断面 "C"- "C"
SECTION "C"- "C"

注;
1. 適用ハウジング型番
172074, 172075, 173974

NOTES;
1. APPLICABLE HOUSING P/N
172074, 172075, 173974

2. OBSOLETE PARTS: OBSOLETE CIS STREAMLINING
PER D.RENAUD/D.SINISI

3. WITH INTERLEAVING PAPER.

3	170330-1	A	錫めっき済黄銅0.3t PRE-TIN BRASS 0.3t THK	170324-6
	---	A	錫めっき済りん青銅0.3t PRE-TIN PHOS BRO 0.3t THK	170324-5
	170330-2	A	ニッケルめっき仕上りん青銅0.3t PHOS BRO 0.3t THK NICKEL PL	170324-2
2	---	B		170324-4
	170330-1	A	錫めっき済黄銅0.3t PRE-TIN BRASS 0.3t THK	170324-1
	ばら状端子型番 LOOSE PIECE P/N	ワイヤバレルタイプ WIRE BARREL TYPE	材料 MATERIAL	型番 STRIP FORM P/N

WIRE RANGE AWG#24-#20
包含電線断面積 0.22~0.53mm²
INSULATION DIA 被覆外径 1.5~2.7φmm

STE TE Connectivity

DIMENSIONS. 単位: 純 mm	TOLERANCES UNLESS OTHERWISE SPECIFIED 一般公差	OWN 4.AUG.98 CHK 4.AUG.98 APVD 4.AUG.98	NAME 名称
	±0.3 ANGLE. ±3°	PRODUCT SPEC 製品規格 108-5126	"187" SERIES POSITIVE LOCK (MARK II) REC.
MATERIAL 材料 SEE TABLE 表参照	FINISH 仕上 SEE TABLE 表参照	APPLICATION SPEC 取付適用規格 114-5041	"187" シリーズポジティブロック (マーク II) リセブタクル
		WEIGHT ---	SIZE A3
			CAGE CODE 00779
			DRAWING NO 170324
			RESTRICTED TO ---
			SCALE 尺度 5-1
			SHEET 1
			OF 1
			REV H3

CUSTOMER DRAWING

SCALE 尺度 5-1 SHEET 1 OF 1 REV H3

单击下面可查看定价，库存，交付和生命周期等信息

[>>TE Connectivity\(泰科\)](#)