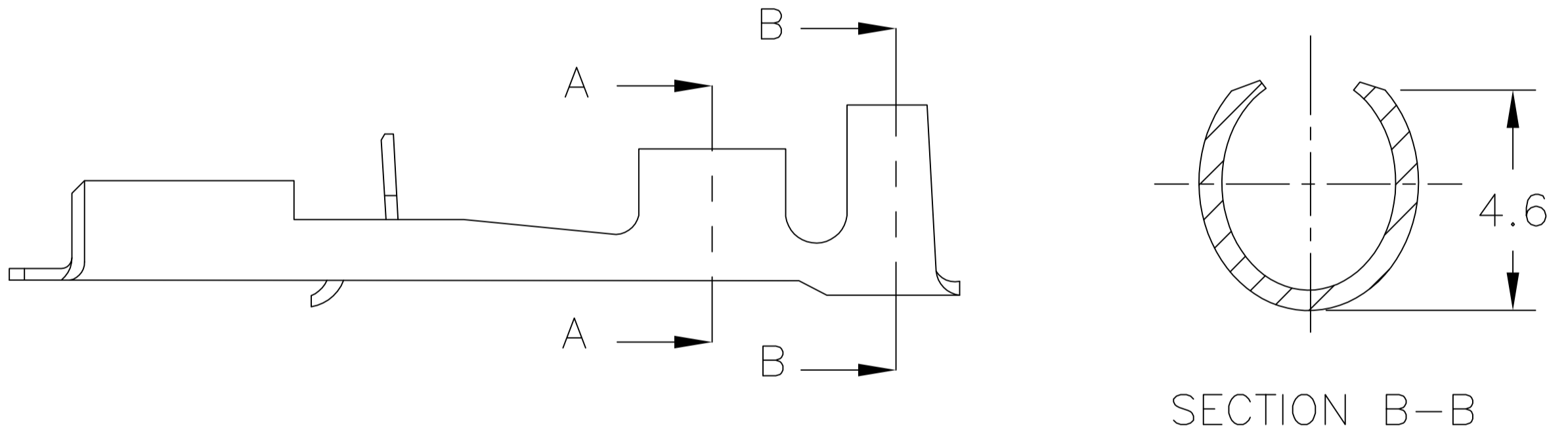
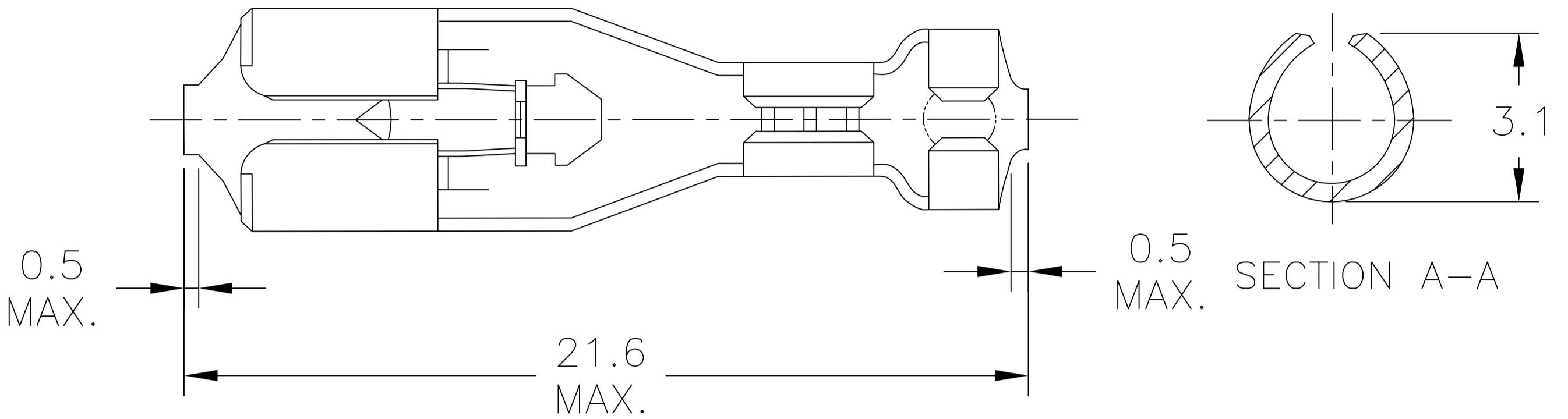


REVISIONS					
P	LTR	DESCRIPTION	DATE	DWN	APVD
	D2	REDRAWN PER ECR-17-011185	04AUG2017	RS	HG

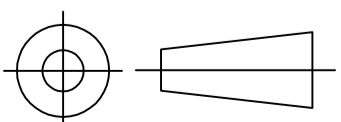


NOTE: THIS TERMINAL IS APPLIED FOR ONE WIRE CRIMPING

411-5262	753899-1	170325-2	POST NICKEL, PHOSPHOR BRONZE	170331-2
411-5262	753899-1	170325-1	PRE-TIN, BRASS	170331-1
INSTRUCTION SHEET	HAND TOOL	STRIP P/N	MATERIAL	PART NO.

INSULATION DIA: 1.9-3.4mm WIRE RANGE: 0.51-1.38mm<sup>2</sup>(AWG#20-#16)

DIMENSIONS: mm	DWN	RAVI S	08AUG2017	MATERIAL	SEE TABLE	FINISH	SEE TABLE					
	CHK	GUO HOGAN	08AUG2017	TE Connectivity								
TOLERANCES UNLESS OTHERWISE SPECIFIED:	APVD	GUO HOGAN	08AUG2017									
	PRODUCT SPEC	-						NAME	187 SERIES POS LOCK RECEPT LP			
0 PLC ± -	APPLICATION SPEC	-		SIZE	A4	CAGE CODE	00779	DRAWING NO	170331	RESTRICTED TO	-	
1 PLC ± 0.4	WEIGHT	-		CUSTOMER DRAWING			SCALE	4:1	SHEET	1 OF 1	REV	D2
2 PLC ± -												
3 PLC ± -												
4 PLC ± -												
ANGLES ± -												



单击下面可查看定价，库存，交付和生命周期等信息

[>>TE Connectivity\(泰科\)](#)