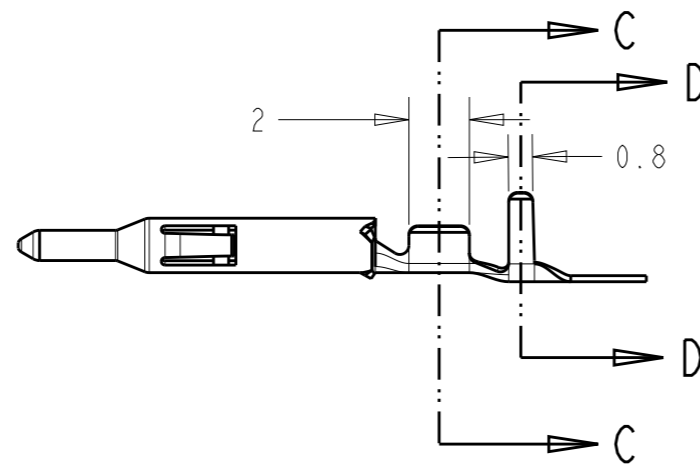
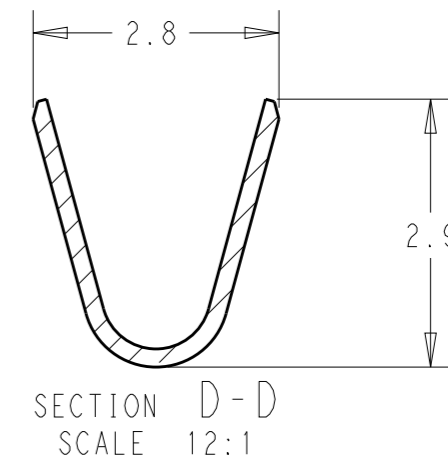
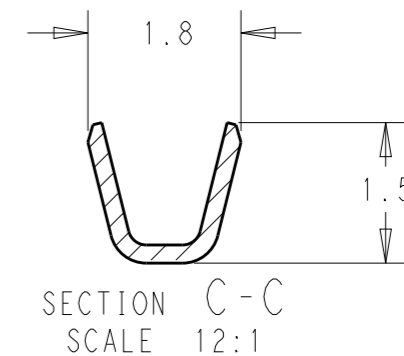
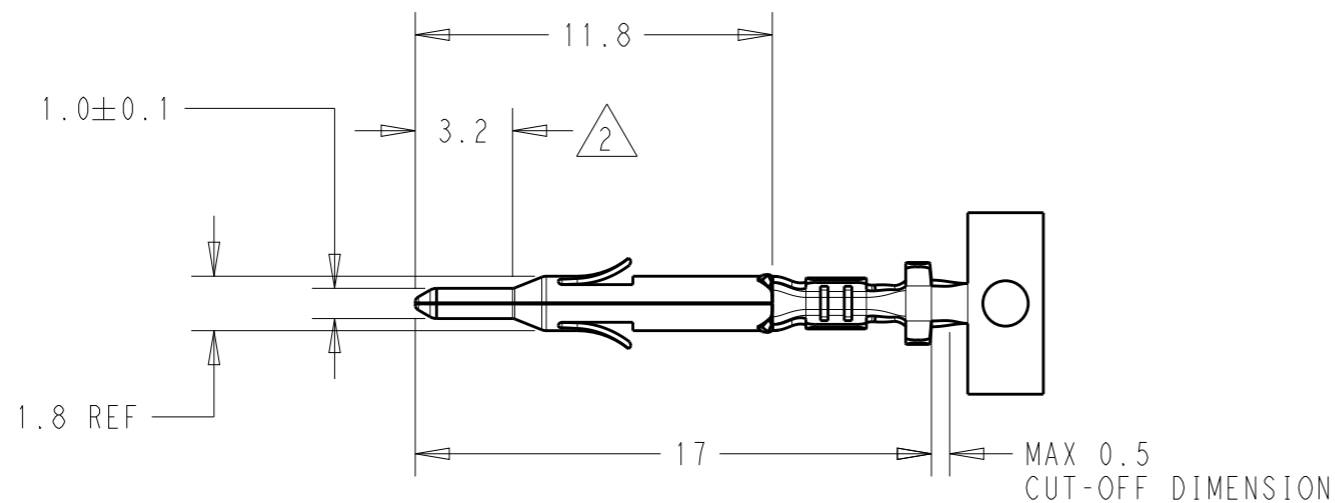


| P | LTR | DESCRIPTION               | DATE      | DWN | APVD |
|---|-----|---------------------------|-----------|-----|------|
|   | F   | REVISED PER ECO-19-005751 | 26SEP2019 | RS  | SG   |
|   |     |                           |           |     |      |
|   |     |                           |           |     |      |



1. THIS CONTACT IS USED ON EITHER PLUG AND CAP HOUSING

2 0.00076mm MIN THICK GOLD-PLATED IN THE CONTACT SECTION TO 3.2mm FROM TIP END, OVER NICKEL UNDERPLATE ALL OVER

3. WIRE RANGE: 26-22 AWG, INSULATION DIA: 1.2-1.75 mm

|                                |                 |                 |             |
|--------------------------------|-----------------|-----------------|-------------|
| 170361, 170362, 170365, 170366 | TIN/PHOS BRONZ  | 170363-4        | 170359-4    |
|                                | GOLD/BRASS 3    | 170363-3        | 170359-3    |
|                                | TIN/BRASS       | 170363-1        | 170359-1    |
| MATING P/N                     | FINISH/MATERIAL | LOOSE PIECE P/N | PART NUMBER |

|  |      |                           |                 |                 |                     |       |   |       |   |       |   |        |   |                       |  |  |
|--|------|---------------------------|-----------------|-----------------|---------------------|-------|---|-------|---|-------|---|--------|---|-----------------------|--|--|
| THIS DRAWING IS A CONTROLLED DOCUMENT.   |      | DWN R. SMITH 26SEP2019    |                 |                 |                     |       |   |       |   |       |   |        |   |                       |  |  |
| DIMENSIONS: mm   |      | CHK S. WRIGHT 26SEP2019   |                 |                 |                     |       |   |       |   |       |   |        |   |                       |  |  |
| TOLERANCES UNLESS OTHERWISE SPECIFIED:   |      | APVD S. WRIGHT 26SEP2019  |                 |                 |                     |       |   |       |   |       |   |        |   |                       |  |  |
| <table border="1"> <tr> <td>0 PLC</td> <td>±0.4</td> </tr> <tr> <td>1 PLC</td> <td>±0.4</td> </tr> <tr> <td>2 PLC</td> <td>±</td> </tr> <tr> <td>3 PLC</td> <td>±</td> </tr> <tr> <td>4 PLC</td> <td>±</td> </tr> <tr> <td>ANGLES</td> <td>±</td> </tr> </table> |      | 0 PLC                     | ±0.4            | 1 PLC           | ±0.4                | 2 PLC | ± | 3 PLC | ± | 4 PLC | ± | ANGLES | ± | PRODUCT SPEC 108-5138 | NAME MINI UNIVERSAL MATE-N-LOK PIN CONTACT |  |
| 0 PLC  | ±0.4 |                           |                 |                 |                     |       |   |       |   |       |   |        |   |                       |  |  |
| 1 PLC  | ±0.4 |                           |                 |                 |                     |       |   |       |   |       |   |        |   |                       |  |  |
| 2 PLC  | ±    |                           |                 |                 |                     |       |   |       |   |       |   |        |   |                       |  |  |
| 3 PLC  | ±    |                           |                 |                 |                     |       |   |       |   |       |   |        |   |                       |  |  |
| 4 PLC  | ±    |                           |                 |                 |                     |       |   |       |   |       |   |        |   |                       |  |  |
| ANGLES   | ±    |                           |                 |                 |                     |       |   |       |   |       |   |        |   |                       |  |  |
| MATERIAL SEE TABLE   |      | APPLICATION SPEC 114-5050 | SIZE A3         | CAGE CODE 00779 | DRAWING NO C-170359 |       |   |       |   |       |   |        |   |                       |  |  |
| FINISH SEE TABLE   |      | WEIGHT -                  | RESTRICTED TO - |                 |                     |       |   |       |   |       |   |        |   |                       |  |  |
| CUSTOMER DRAWING   |      |                           | SCALE 4:1       | SHEET 1 OF 1    | REV F               |       |   |       |   |       |   |        |   |                       |  |  |

单击下面可查看定价，库存，交付和生命周期等信息

[>>TE Connectivity\(泰科\)](#)