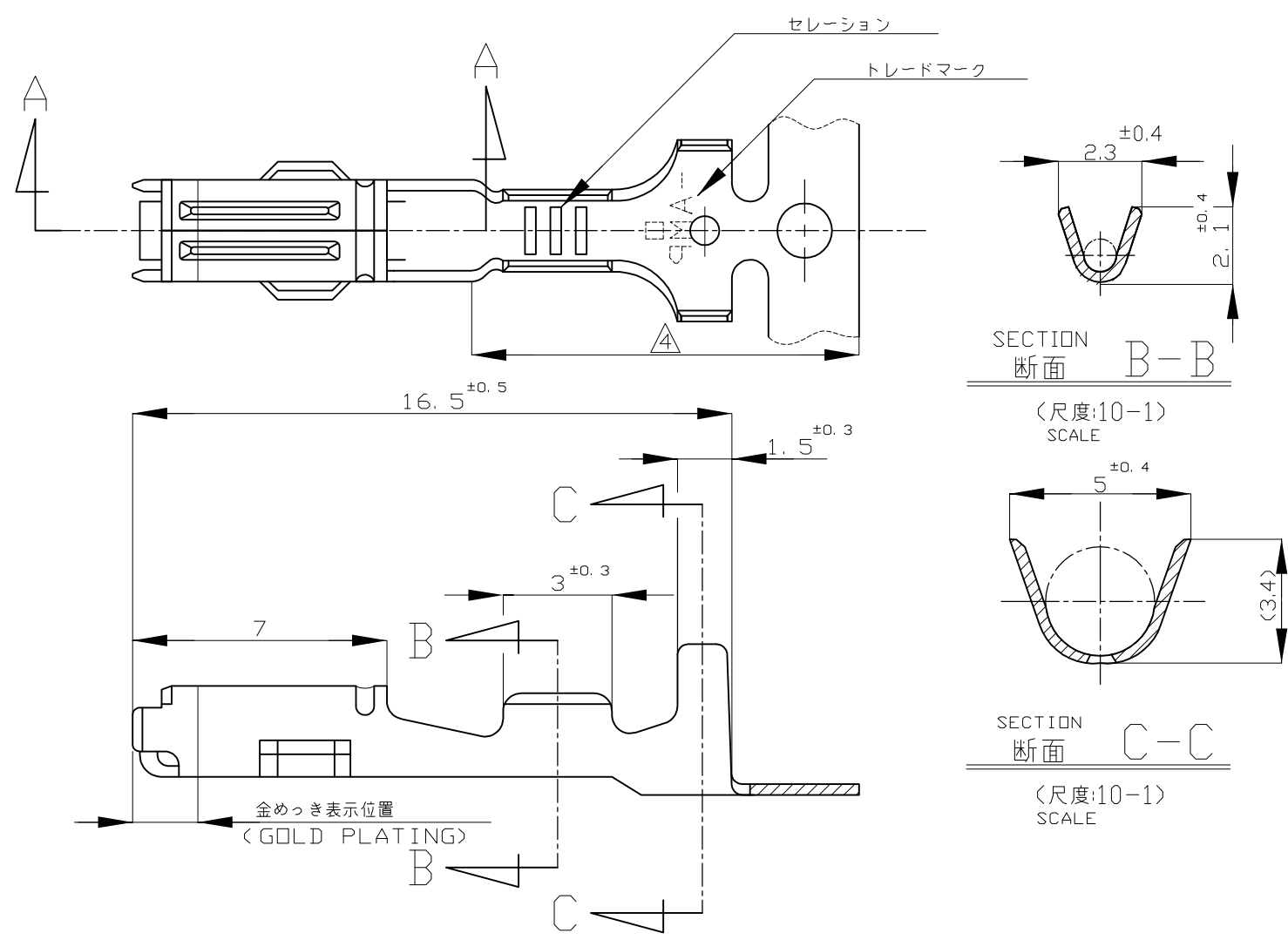


THIS DRAWING IS UNPUBLISHED. RELEASED FOR PUBLICATION
 © COPYRIGHT - By - ALL RIGHTS RESERVED.

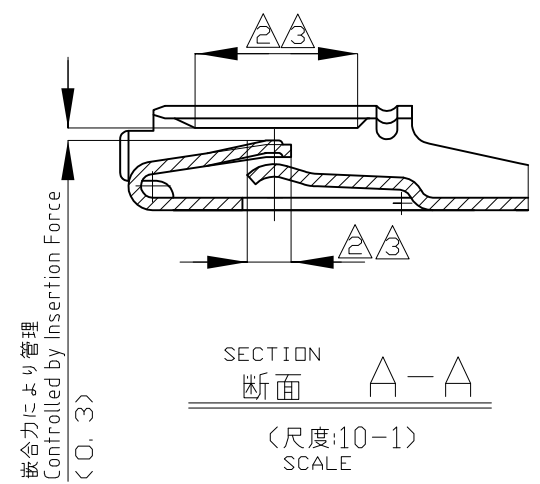
REVISIONS					
変更					
P	LTR	DESCRIPTION	DATE	DWN	APVD
E4	REVISED	ECR-17-010634	21JUL2017	TS	HY



- 注
1. 嵌合相手端子型番 ; 171631
 2. 部分金めっき 0.38 μm 最小
 3. 部分金めっき 1.27 μm 最小
 4. 部分半田めっき 2.0 μm 最小
 5. 一般公差 : 10以下±0.2 10以上30以下±0.25 30以上100以下±0.3 角度±3°

- NOTE ;
1. TAB CONTACT ; 171631
 2. SELECTIVE GOLD PLATING 0.38 μm MIN.
 3. SELECTIVE GOLD 1.27 μm MIN.
 4. SELECTIVE TIN-LEAD PLATING 2.0 μm MIN.
 5. TOLERANCES UNLESS OTHERWISE SPECIFIED.
10MAX : ±0.2 10-30 : ±0.25 30-100 : ±0.3 ANGLES : ±3°

OBSOLETE	SELECTIVE GOLD PLATING 部分金めっき	PHOS-BRONZE t = 0.3 リン青銅 板厚 0.3	171630-6
	SELECTIVE GOLD PLATING 部分金めっき	PHOS-BRONZE t = 0.3 リン青銅 板厚 0.3	171630-5
	PRE-TIN 錫めっき済 (0.76 μm MIN.)	PHOS-BRONZE t = 0.3 リン青銅 板厚 0.3	171630-2
	PRE-TIN 錫めっき済 (0.76 μm MIN.)	BRASS t = 0.3 黄銅 板厚 0.3	171630-1
	FINISH 仕上	MATERIAL 材料	PART NUMBER 型番



THIS DRAWING IS A CONTROLLED DOCUMENT.

DIMENSIONS: 単位: 耗 mm	TOLERANCES UNLESS OTHERWISE SPECIFIED: 一般公差	DWN D.MATSUURA 24OCT07	TE Connectivity													
	<table border="1"> <tr><td>0 PLC</td><td>± -</td></tr> <tr><td>1 PLC</td><td>± -</td></tr> <tr><td>2 PLC</td><td>± -</td></tr> <tr><td>3 PLC</td><td>± -</td></tr> <tr><td>4 PLC</td><td>± -</td></tr> <tr><td>ANGLES</td><td>± -</td></tr> </table>	0 PLC		± -	1 PLC	± -	2 PLC	± -	3 PLC	± -	4 PLC	± -	ANGLES	± -	CHK T.KOHNO 24OCT07	NAME 名称
		0 PLC		± -												
		1 PLC		± -												
2 PLC	± -															
3 PLC	± -															
4 PLC	± -															
ANGLES	± -															
<table border="1"> <tr><td>MATERIAL 材料</td><td>SEE TABLE</td></tr> <tr><td>FINISH 仕上</td><td>SEE TABLE</td></tr> </table>	MATERIAL 材料	SEE TABLE	FINISH 仕上	SEE TABLE	APVD Y.FUJIWARA 24OCT07	PRODUCT SPEC 製品規格 108-5262	ECONOSEAL J MK-II CONN RECEPTACLE CONTACT									
	MATERIAL 材料	SEE TABLE														
FINISH 仕上	SEE TABLE															
<table border="1"> <tr><td>適合電線断面積 (WIRE RENG)</td><td>被覆外径 (INSULATION DIA)</td></tr> <tr><td>AVS 0.2-0.5mm² (AWG24-20)</td><td>1.4-2.4mmφ</td></tr> </table>	適合電線断面積 (WIRE RENG)	被覆外径 (INSULATION DIA)	AVS 0.2-0.5mm ² (AWG24-20)	1.4-2.4mmφ	APPLICATION SPEC 取付適用規格 114-5082	WEIGHT 0.35 g	SIZE A3									
適合電線断面積 (WIRE RENG)	被覆外径 (INSULATION DIA)															
AVS 0.2-0.5mm ² (AWG24-20)	1.4-2.4mmφ															

CUSTOMER DRAWING

SCALE 5:1 SHEET 1 OF 1 REV E4

单击下面可查看定价，库存，交付和生命周期等信息

[>>TE Connectivity\(泰科\)](#)